

# COGNEX

## In-Sight<sup>®</sup> 7000 Series Vision System Installation Manual



2018 July 12  
Revision: 5.6.1.4



# Legal Notices

The software described in this document is furnished under license, and may be used or copied only in accordance with the terms of such license and with the inclusion of the copyright notice shown on this page. Neither the software, this document, nor any copies thereof may be provided to, or otherwise made available to, anyone other than the licensee. Title to, and ownership of, this software remains with Cognex Corporation or its licensor. Cognex Corporation assumes no responsibility for the use or reliability of its software on equipment that is not supplied by Cognex Corporation. Cognex Corporation makes no warranties, either express or implied, regarding the described software, its merchantability, non-infringement or its fitness for any particular purpose.

The information in this document is subject to change without notice and should not be construed as a commitment by Cognex Corporation. Cognex Corporation is not responsible for any errors that may be present in either this document or the associated software.

Companies, names, and data used in examples herein are fictitious unless otherwise noted. No part of this document may be reproduced or transmitted in any form or by any means, electronic or mechanical, for any purpose, nor transferred to any other media or language without the written permission of Cognex Corporation.

Copyright © 2011 - 2018 Cognex Corporation. All Rights Reserved.

Portions of the hardware and software provided by Cognex may be covered by one or more U.S. and foreign patents, as well as pending U.S. and foreign patents listed on the Cognex web site at: <http://www.cognex.com/patents>.

---

The following are registered trademarks of Cognex Corporation:

Cognex, 2DMAX, Advantage, Alignplus, Assemblyplus, Check it with Checker, Checker, Cognex Vision for Industry, Cognex VSOC, CVL, DataMan, DisplayInspect, DVT, EasyBuilder, Hotbars, IDMax, In-Sight, Laser Killer, MVS-8000, OmniView, PatFind, PatFlex, PatInspect, PatMax, PatQuick, SensorView, SmartView, SmartAdvisor, SmartLearn, UltraLight, Vision Solutions, VisionPro, VisionView

The following are trademarks of Cognex Corporation:

The Cognex logo, 1DMax, 3D-Locate, 3DMax, BGAll, CheckPoint, Cognex VSoC, CVC-1000, FFD, iLearn, In-Sight (design insignia with cross-hairs), In-Sight 2000, InspectEdge, Inspection Designer, MVS, NotchMax, OCRMax, PatMax RedLine, ProofRead, SmartSync, ProfilePlus, SmartDisplay, SmartSystem, SMD4, VisiFlex, Xpand

Portions copyright © Microsoft Corporation. All rights reserved.



Portions copyright © MadCap Software, Inc. All rights reserved.

Other product and company trademarks identified herein are the trademarks of their respective owners.



# Regulations/Conformity

**Note:** For the most up-to-date CE declaration and regulatory conformity information, please refer to the Cognex online support site: <http://www.cognex.com/Support>.

Declaration of Conformity	
Manufacturer	Cognex Corporation One Vision Drive Natick, MA 01760 USA
	In-Sight 7010/7010C/7020/7050: Regulatory Model 1AAA In-Sight 7200/7200C/7210/7230: Regulatory Model 1AAA In-Sight 7400/7400C/7410/7430: Regulatory Model 1AAA In-Sight 7402/7402C/7412/7432: Regulatory Model 1AAA
FCC	FCC Part 15, Class A This device complies with Part 15 of the FCC Rules. Operation is subject to the following two conditions: (1) this device may not cause harmful interference; and (2) this device must accept any interference received, including interference that may cause undesired operation. This equipment generates, uses, and can radiate radio frequency energy and, if not installed and used in accordance with the instruction manual, may cause harmful interference to radio communications. Operation of this equipment in a residential area is likely to cause harmful interference in which case the user will be required to correct the interference at their own expense.
KCC 	In-Sight 7010/7010C/7020/7050: Regulatory Model 1AAA KCC-REM-CGX-1AAA In-Sight 7200/7200C/7210/7230: Regulatory Model 1AAA KCC-REM-CGX-1AAA In-Sight 7400/7400C/7410/7430: Regulatory Model 1AAA KCC-REM-CGX-1AAA In-Sight 7402/7402C/7412/7432: Regulatory Model 1AAA KCC-REM-CGX-1AAA
NRTL	TÜV SÜD AM SCC/NRTL OSHA Scheme for UL/CAN 60950-1. Regulatory Model 1AAA.
CB	TÜV SÜD AM, IEC/EN 60950-1. CB report available upon request.
EU RoHS	Compliant to the latest applicable Directive.

**China RoHS**



Hazardous Substances 有害物质						
Part Name 部件名称	Lead (Pb) 铅	Mercury (Hg) 汞	Cadmium (Cd) 镉	Hexavalent Chromium (Cr (VI)) 六价铬	Polybrominated biphenyls (PBB) 多溴联苯	Polybrominated diphenyl ethers (PBDE) 多溴二苯醚
Regulatory Model 1AAA	X	O	O	O	O	O

This table is prepared in accordance with the provisions of SJ/T 11364.  
这个标签是根据SJ/T 11364 的规定准备的。

O: Indicates that said hazardous substance contained in all of the homogeneous materials for this part is below the limit requirement of GB / T26572 - 2011.  
表示本部件所有均质材料中含有的有害物质低于GB / T26572 - 2011 的限量要求。

X: Indicates that said hazardous substance contained in at least one of the homogeneous materials used for this part is above the limit requirement of GB / T26572 - 2011.  
表示用于本部件的至少一种均质材料中所含的危害物质超过GB / T26572 - 2011 的限制要求。

---

## For European Community Users

Cognex complies with Directive 2012/19/EU OF THE EUROPEAN PARLIAMENT AND OF THE COUNCIL of 4 July 2012 on waste electrical and electronic equipment (WEEE).

This product has required the extraction and use of natural resources for its production. It may contain hazardous substances that could impact health and the environment, if not properly disposed.

In order to avoid the dissemination of those substances in our environment and to diminish the pressure on the natural resources, we encourage you to use the appropriate take-back systems for product disposal. Those systems will reuse or recycle most of the materials of the product you are disposing in a sound way.



The crossed out wheeled bin symbol informs you that the product should not be disposed of along with municipal waste and invites you to use the appropriate separate take-back systems for product disposal.

If you need more information on the collection, reuse, and recycling systems, please contact your local or regional waste administration.

You may also contact your supplier for more information on the environmental performance of this product.



# Precautions

Observe these precautions when installing the vision system to reduce the risk of injury or equipment damage:

- The In-Sight vision system is intended to be supplied by a UL or NRTL listed power supply with a 24VDC output rated for at least 2A continuous and a maximum short circuit current rating of less than 8A and a maximum power rating of less than 100VA and marked Class 2 or Limited Power Source (LPS). Any other voltage creates a risk of fire or shock and can damage the components. Applicable national and local wiring standards and rules must be followed.
- According to IEC 62471, the white ring light is in Risk Group 1; it is not recommended to stare directly into the illumination LEDs when the vision system is receiving power. According to IEC 62471, the blue ring light is in Risk Group 2; CAUTION – Possibly hazardous optical radiation emitted from this product. Do not stare at operating light. May be harmful to the eyes. The green ring light, the red ring light and the Infrared (IR) ring light are Exempt Group products, therefore no precautions are required.
- Do not install In-Sight vision systems where they are directly exposed to environmental hazards such as excessive heat, dust, moisture, humidity, impact, vibration, corrosive substances, flammable substances, or static electricity.
- To reduce the risk of damage or malfunction due to over-voltage, line noise, electrostatic discharge (ESD), power surges, or other irregularities in the power supply, route all cables and wires away from high current wiring or high-voltage power sources.
- Do not expose the image sensor to laser light; image sensors can be damaged by direct, or reflected, laser light. If your application requires the use of laser light that may strike the image sensor, a lens filter at the corresponding laser's wavelength is recommended. Contact your local integrator or application engineer for suggestions.
- The In-Sight vision system does not contain user-serviceable parts. Do not make electrical or mechanical modifications to In-Sight vision system components. Unauthorized modifications may void your warranty.
- Changes or modifications not expressly approved by the party responsible for regulatory compliance could void the user's authority to operate the equipment.
- Service loops should be included with all cable connections.
- Cable shielding can be degraded or cables can be damaged or wear out more quickly if a service loop or bend radius is tighter than 10X the cable diameter. The bend radius must be at least six inches from the connector.
- This device is certified for office use only and if used at home, there can be frequency interference problems.
- This device should be used in accordance with the instructions in this manual.



# Table of Contents

<b>Legal Notices</b> .....	<b>i</b>
<b>Regulations/Conformity</b> .....	<b>iii</b>
China RoHS .....	iv
For European Community Users .....	v
<b>Precautions</b> .....	<b>vii</b>
<b>Introduction</b> .....	<b>1</b>
Support .....	1
Standard Components .....	1
Accessories .....	2
Cables .....	2
<b>Installation</b> .....	<b>5</b>
Connectors and Indicators .....	5
Install the Lens (C-Mount Lens Configuration) .....	7
Mount the Vision System .....	9
Working Distance and Field of View .....	10
Connect the Light Cable (Optional) .....	12
Connect the Ethernet Cable .....	12
Connect the Breakout Cable .....	13
<b>Specifications</b> .....	<b>15</b>
Vision System Specifications .....	15
I/O Specifications .....	17
Acquisition Trigger Input .....	17
General-Purpose Inputs .....	18
High-Speed Outputs .....	20
RS-232 Receive and Transmit .....	22
RS-232 Connector Configuration .....	22
Ethernet Cable Specifications .....	23
Light Cable Specifications .....	24
Breakout Cable Specifications .....	25
Vision System Dimensions .....	26
<b>Appendix A - Cleaning/Maintenance</b> .....	<b>31</b>
Clean the Vision System Housing .....	31
Clean the Vision System Image Sensor Window (C-Mount Lens Configuration) .....	31
Clean the Vision System Lens Cover .....	31



# Introduction

The In-Sight<sup>®</sup> vision system is a compact, network-ready, stand-alone machine vision system used for automated inspection, measurement, identification and robot guidance applications on the factory floor. All models can be easily configured remotely over a network using an intuitive user interface.

## Support

Many information resources are available to assist you in using the vision system:

- The *In-Sight<sup>®</sup> Explorer Help* and *EasyBuilder Help* files, provided with In-Sight Explorer software.
- On-demand training: <http://www.cognex.com/on-demand-training.aspx>.
- The In-Sight online support site: <http://www.cognex.com/Support/InSight>.

## Standard Components

The vision system is shipped with the components listed below.

**Table 1-1: Standard Components**

Component	M12 Lens Configuration	C-Mount Lens Configuration
Vision System	X	X
Lens Cover Kit (includes lens cover and O-Ring)	X	X
Mounting Kit	X	

**Table 1-2: Standard Components Descriptions**

Component	Description
Vision System (P/N 821-0084-5R) (P/N 821-0084-6R) (P/N 821-0084-7R) (P/N 821-0100-3R) (P/N 821-0100-4R) (P/N 821-0100-5R)	Provides vision processing, job storage, serial and Ethernet connectivity and discrete I/O.
Lens Cover Kit (P/N 820-0277-1R) (P/N 820-0277-2R)	Includes lens cover and O-Ring. Provides environmental protection for the lens.
Mounting Kit (P/N 823-0192-1R)	Includes a mounting bracket and M3 screws (quantity 4) for mounting the vision system and securing it to a mounting surface.

**Note:**



- There are two lens configurations available for the vision system: an M12 lens configuration and a C-Mount lens configuration. If you purchased a vision system with the M12 lens configuration, the vision system is shipped with the pre-installed lens and ring light. If you purchased a vision system with the C-Mount lens configuration, the lens is not included in the box and must be purchased as an optional component.
- Optional components are available for purchase separately. For a complete list of options and accessories, contact your Cognex sales representative. For optional components installation instructions, refer to the *In-Sight<sup>®</sup> 7000 Series Vision System Optional Configurations*, available for download on the In-Sight support site: <http://www.cognex.com/Support/InSight>.

## Accessories

The following optional components can be purchased separately. For a complete list of options and accessories, contact your local Cognex sales representative.

### Cables

**Note:** Cables are sold separately.

**CAUTION:** All cable connectors are “keyed” to fit the connectors on the vision system; do not force the connections or damage may occur.

### Ethernet Cable

The Ethernet cable is used to connect the vision system to other network devices. The pin-outs for the cable are listed in the [Ethernet Cable Specifications on page 23](#). This cable is available in the lengths and styles listed below.

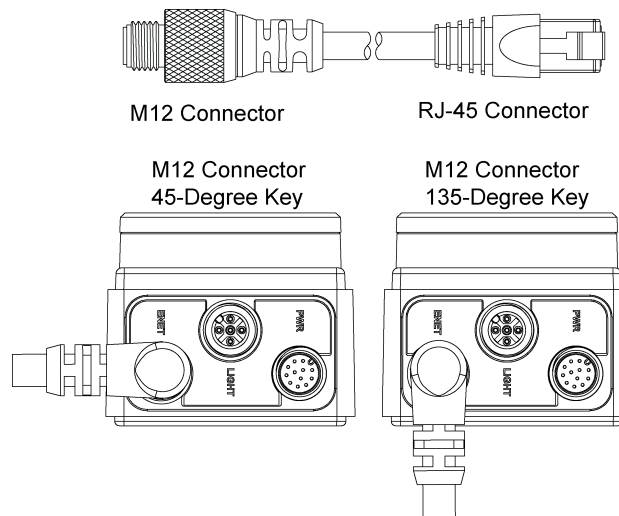


Figure 1-1: Ethernet Cable

Table 1-3: Ethernet Cables

Length	Standard Part #	45-Degree Key Right-Angle Part #	135-Degree Key Right Angle Part #
0.6 m	CCB-84901-1001-00	N/A	N/A
2 m	CCB-84901-1002-02	CCB-84901-6005-02	CCB-84901-7005-02
5 m	CCB-84901-1003-05	CCB-84901-6001-05	CCB-84901-7001-05
10 m	CCB-84901-1004-10	CCB-84901-6002-10	CCB-84901-7002-10
15 m	CCB-84901-1005-15	CCB-84901-6003-15	CCB-84901-7003-15
30 m	CCB-84901-1006-30	CCB-84901-6004-30	CCB-84901-7004-30

## Light Cable

The Light cable is used to connect the vision system to an external lighting device, providing power and strobe control. The pin-outs for the cable are listed in the [Light Cable Specifications on page 24](#). This cable is available in the lengths listed below.

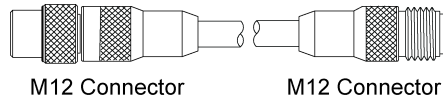


Figure 1-2: Light Cable

Table 1-4: Light Cables

Length	Standard Part #
0.5 m	CCB-M12LTF-00
1 m	CCB-M12LTF-01
2 m	CCB-M12LTF-02
5 m	CCB-M12LTF-05

## Breakout Cable

The Breakout cable provides connections to an external power supply, the acquisition trigger input, general-purpose inputs, high-speed outputs and RS-232 serial communications. The pin-outs for the cable are listed in the [Breakout Cable Specifications on page 25](#). This cable is available in the styles listed below.

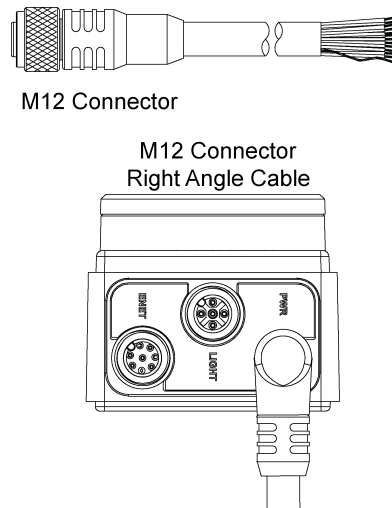


Figure 1-3: Breakout Cable

Table 1-5: Breakout Cables

Length	Standard Part #	Right-Angle Part #
5 m	CCB-PWRIO-05	CCB-PWRIO-05R
10 m	CCB-PWRIO-10	CCB-PWRIO-10R
15 m	CCB-PWRIO-15	CCB-PWRIO-15R



# Installation

This section describes the connection of the vision system to its standard and optional components. For a complete list of options and accessories, contact your Cognex sales representative.

**Note:**



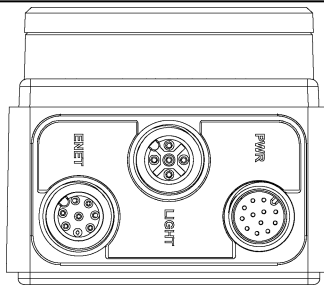
- Cables are sold separately.
- If any of the standard components appear to be missing or damaged, immediately contact your Cognex Authorized Service Provider (ASP) or Cognex Technical Support.



**CAUTION:** All cable connectors are “keyed” to fit the connectors on the vision system; do not force the connections or damage may occur.

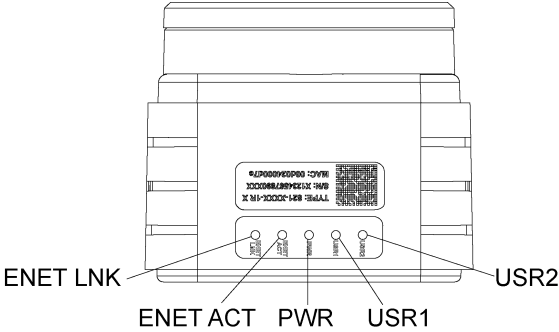
## Connectors and Indicators

Table 2-1: Vision System Connectors



Connector	Function
ENET Connector	Connects the vision system to a network. The ENET connector provides the Ethernet connection to external network devices. For more information, refer to the <a href="#">Ethernet Cable Specifications on page 23</a> .
LIGHT Connector	Connects the vision system to an external lighting device. For more information, refer to the <a href="#">Light Cable Specifications on page 24</a> .
PWR Connector	Connects the Breakout cable, which provides connections to an external power supply, the acquisition trigger input, general-purpose inputs, high-speed outputs, and RS-232 serial communications. For more information, refer to the <a href="#">Breakout Cable Specifications on page 25</a> .

**Table 2-2: Vision System Indicators**



Indicator	Function
ENET LNK LED	Solid green when a network connection is detected.
ENET ACT LED	Flashes green when there is network activity.
PWR LED	Solid green when power is applied.
USR1 LED	Red when active. User-configurable using Discrete Output Line 5 (Line 13 when using the CIO-MICRO or CIO-MICRO-CC I/O module).
USR2 LED	Green when active. User-configurable using Discrete Output Line 4 (Line 12 when using the CIO-MICRO or CIO-MICRO-CC I/O module).

**Note:** If the USR2 LED blinks green three times followed by the USR1 LED blinking red sixteen times, the vision system is not operating correctly. If power cycling does not resolve the problem, please contact Cognex Technical Support.

When utilizing a POWERLINK-enabled In-Sight vision system, the vision system's LEDs are used to convey POWERLINK-specific behavior status updates. The USR1 LED is used as the POWERLINK error LED, and the USR2 LED is used as POWERLINK status LED.

**Table 2-3: POWERLINK Indicators**

Indicator	LED Behavior	Function
USR1 LED	Solid red	POWERLINK is in an error state.
USR2 LED	Off	POWERLINK is initializing.
	Blinking at 10Hz	POWERLINK is in basic Ethernet mode (i.e., a POWERLINK Master Node has not been detected on the network).
	One short flash (200ms), followed by a long OFF phase (1000ms)	The vision system has detected a Master Node on the POWERLINK network, however, isochronous communications have not been detected.
	Two short flashes, followed by a long OFF phase	The POWERLINK network has begun isochronous communications, but the vision system has not been configured to participate.
	Three short flashes, followed by a long OFF phase	The Node device has completed configuration, and is awaiting a signal from the Master Node to begin isochronous communications.
	On	The Node device is communicating on the POWERLINK network.
	Blinking at 2.5Hz	The POWERLINK Node has stopped due to an error.

## Install the Lens (C-Mount Lens Configuration)

There are two lens configurations available for the vision system: an M12 lens configuration, and a C-Mount lens configuration. If you purchased a vision system with the M12 lens configuration, the vision system is shipped with the lens pre-installed and no additional installation is required. If you purchased a vision system with the C-Mount lens configuration, you will need to complete the following steps to install the lens to the vision system.

**Note:**

- Autofocus is not supported for the C-Mount lens configuration.
- If you purchased a vision system with the pre-installed M12 lens, the lens can be replaced with other M12 lenses. The Cognex Lens Tool accessory (LNS-M12-TOOLKIT) must be used to replace the M12 lens. For installation instructions, refer to the *In-Sight® 7000 Series Vision System Optional Configurations*, available for download on the In-Sight support site: <http://www.cognex.com/Support/InSight>.

**CAUTION:** Using a non-Cognex lens or replacing the M12 lens without the Cognex Lens Tool accessory (LNS-M12-TOOLKIT) may cause damage to the vision system.

1. Remove the protective film covering the threaded lens opening, if present.
2. Attach a C-Mount lens to the vision system. The exact lens focal length needed depends on the working distance and the field of view required for your machine vision application.

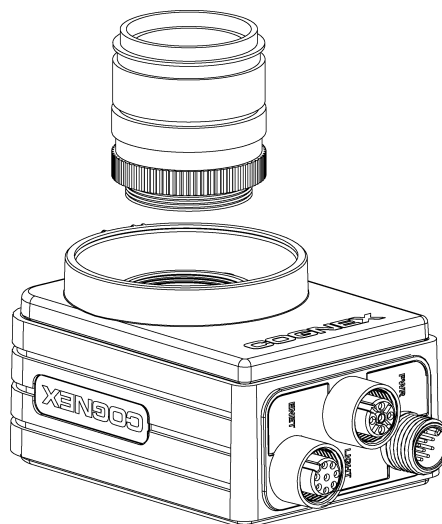
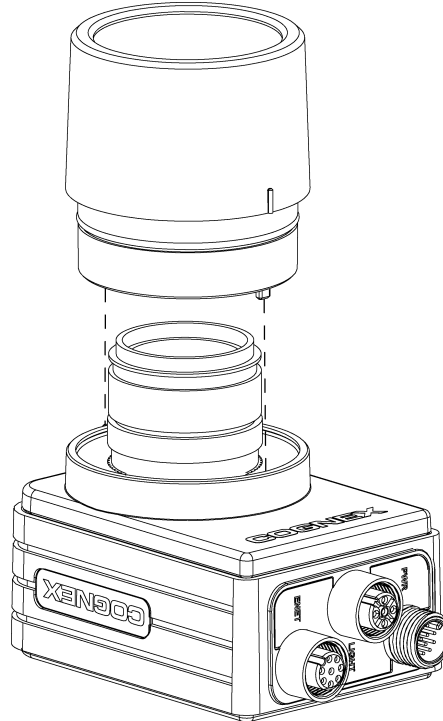


Figure 2-1: Install the C-Mount Lens

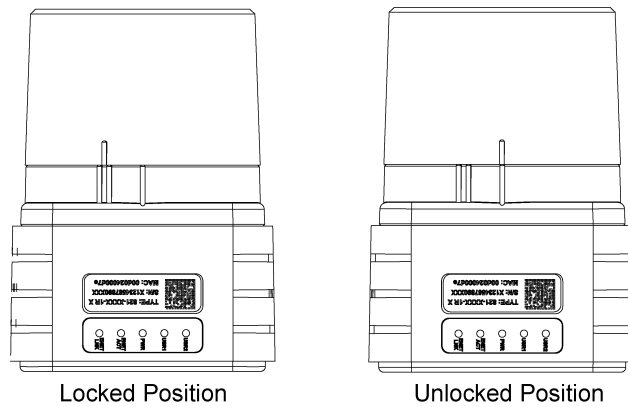
3. If using a lens cover, attach the lens cover to the vision system.
  - a. Align the keys on each side of the lens cover with the notches on the vision system, then push the lens cover down to the vision system until it stops moving.

**CAUTION:** The lens cover is "keyed" to fit the vision system; do not force the connections or damage may occur.



**Figure 2-2: Install the Lens Cover**

- b. Turn the lens cover clockwise until it is in the locked position.



**Figure 2-3: Locked and Unlocked Lens Cover Positions**

## Mount the Vision System

The mounting kit includes a mounting bracket and M3 screws (quantity 4) for mounting the vision system and securing it to a mounting surface. The mounting bracket also has 1/4 - 20, M6 and flathead mounting holes available for mounting the vision system to a mounting surface.

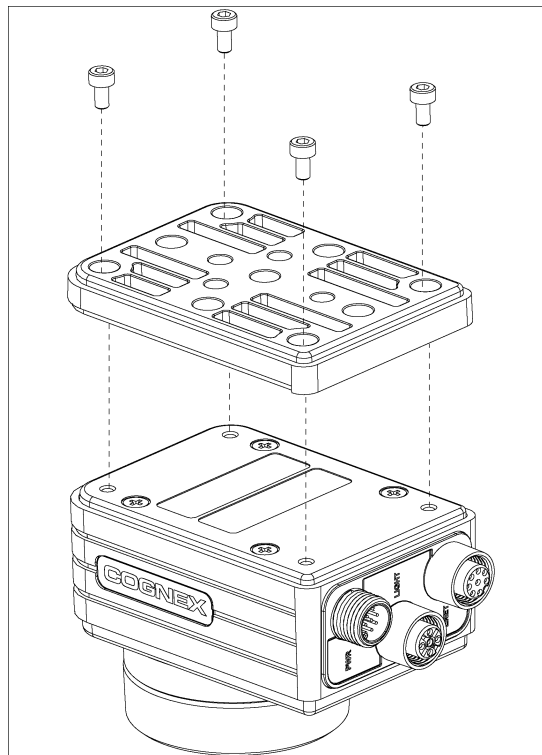
**Note:** The mounting kit is only shipped with vision systems with the M12 lens configuration. If you purchased a vision system with the C-Mount lens configuration, the mounting kit is not included in the box, but can be purchased as an optional component. Please contact your Cognex sales representative for more information.

### CAUTION:



- When mounting the vision system with the mounting bracket, use the M3 screws supplied with the mounting kit.
- If using the 1/4 - 20 or M6 screw holes on the mounting bracket to secure the vision system to a mounting surface, the insertion depth of the screw should not exceed 7mm. Allowing the mounting screw to bottom in the mounting hole can damage the vision system.
- If mounting the vision system without the mounting bracket, the exposed thread length of the M3 screw should not exceed 3mm. The total length of the M3 screw should be 3mm, plus the thickness of the mounting material used. Otherwise, it may damage the vision system.

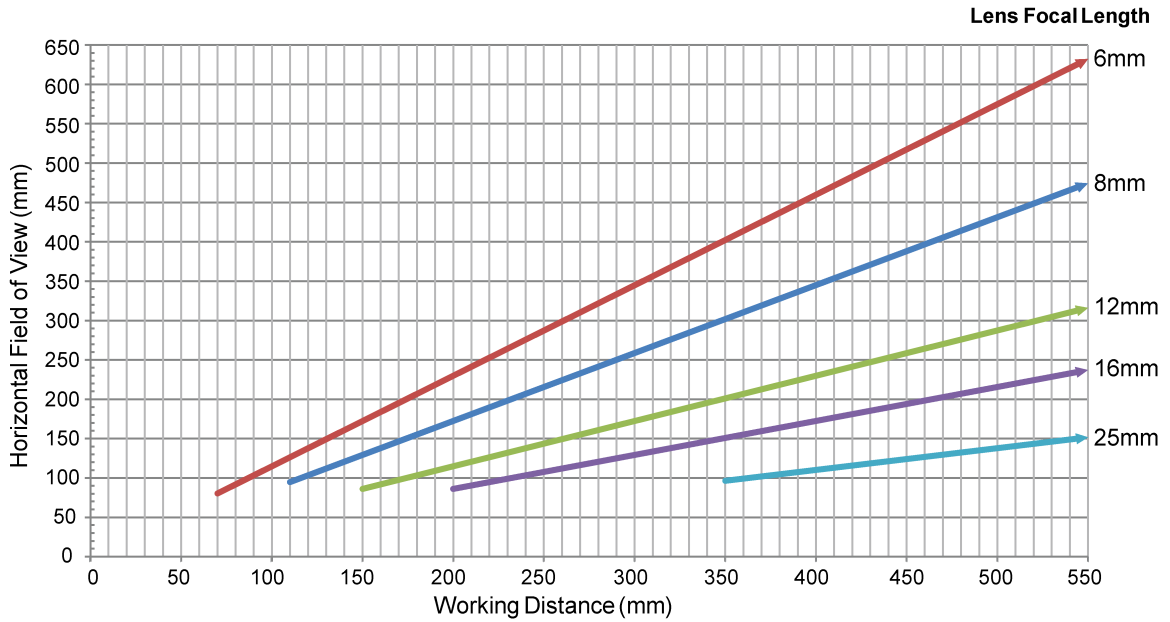
1. Align the mounting block with the mounting holes on the vision system.
2. Insert the M3 screws (quantity 4) into the mounting holes and tighten the screws using a 2.5mm hex wrench; the maximum torque is 0.9039 Nm (8 in-lb).



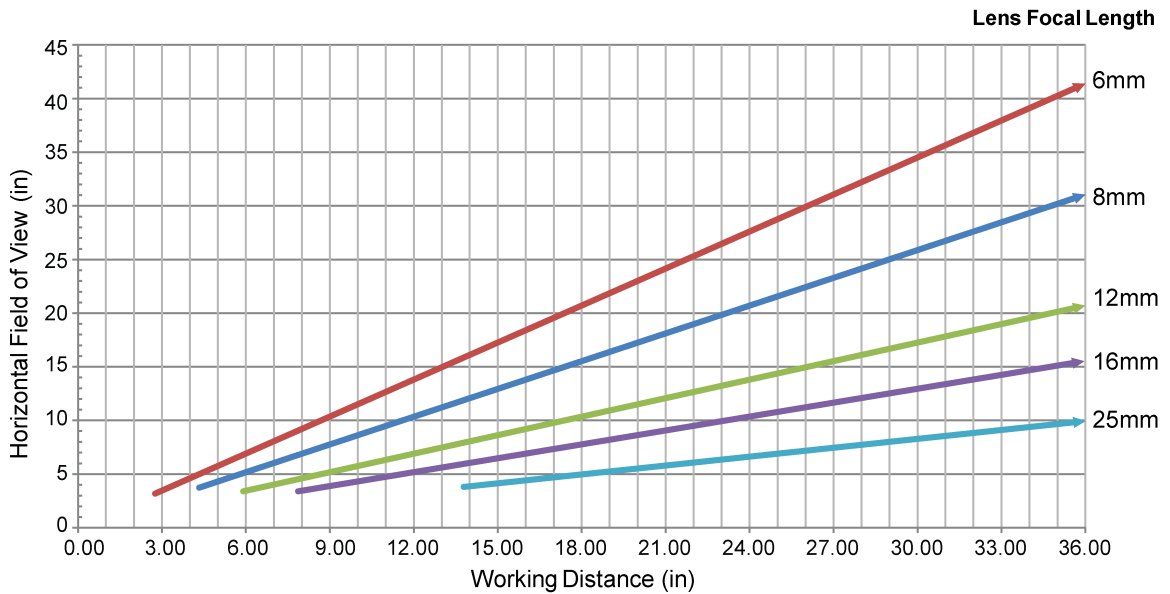
**Figure 2-4: Mount the Vision System**

## Working Distance and Field of View

The distance from the vision systems' lens to the part that needs to be inspected is the working distance; field of view is what the vision system can see at that distance. As the working distance increases, so does the size of the field of view.



**Figure 2-5: Vision System with 1280 x 1024 Resolution (mm)**



**Figure 2-6: Vision System with 1280 x 1024 Resolution (in)**

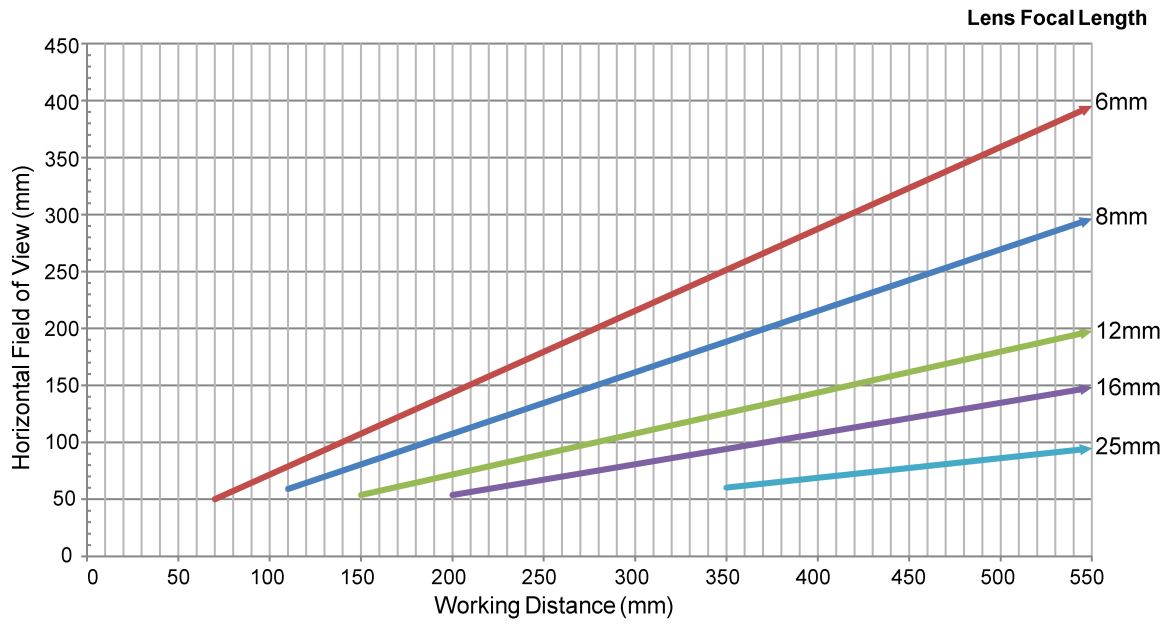


Figure 2-7: Vision System with 800 x 600 Resolution (mm)

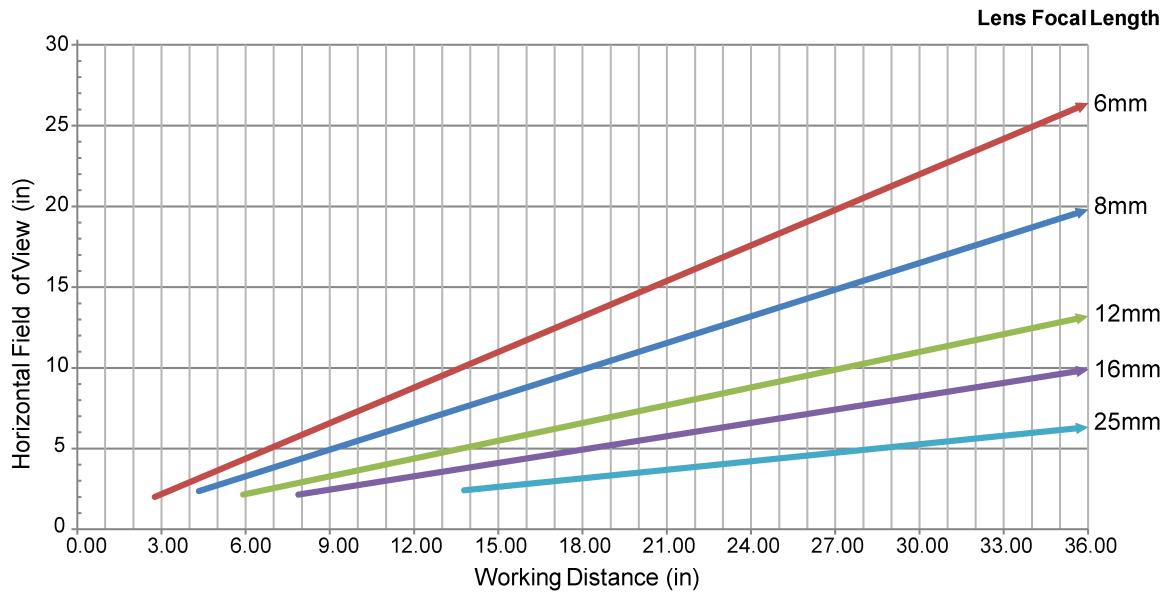

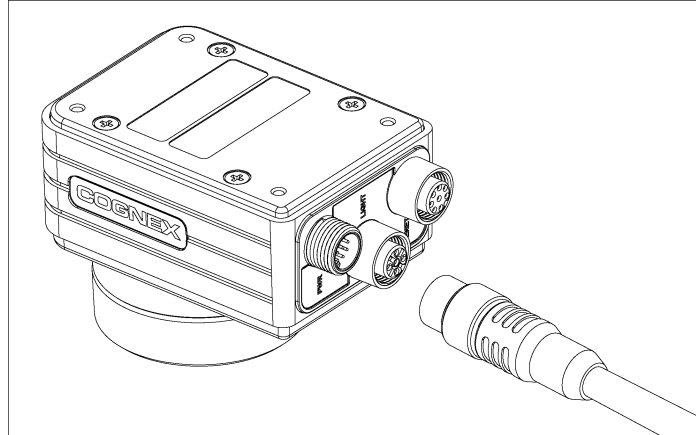


Figure 2-8: Vision System with 800 x 600 Resolution (in)

## Connect the Light Cable (Optional)

 **Tip:** The space between the vision system connectors is limited; it is recommended to first connect the Light cable to ensure enough space for the connection of the Ethernet cable and Breakout cable.

1. Remove the protective cap from the LIGHT connector, if present.
2. Connect the Light cable's M12 connector to the vision system's LIGHT connector.

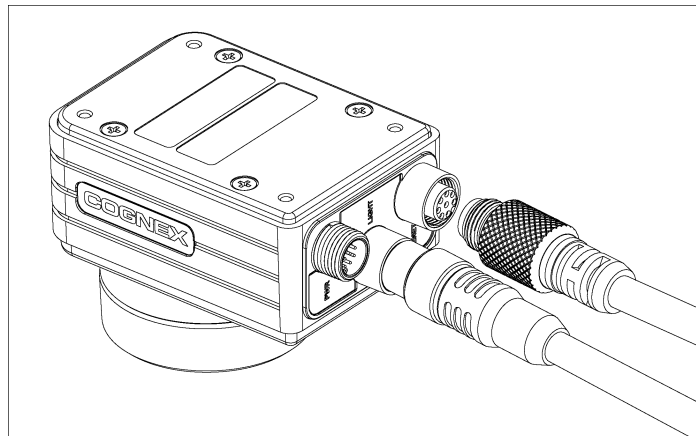


**Figure 2-9: Connect the Light Cable**

3. Connect the other end of the Light cable to an external lighting device (for example, a strobe light). For more information, refer to the [Light Cable Specifications on page 24](#).

## Connect the Ethernet Cable

1. Connect the Ethernet cable's M12 connector to the vision system's ENET connector.



**Figure 2-10: Connect the Ethernet Cable**

2. Connect the Ethernet cable's RJ-45 connector to a switch/router or PC, as applicable.

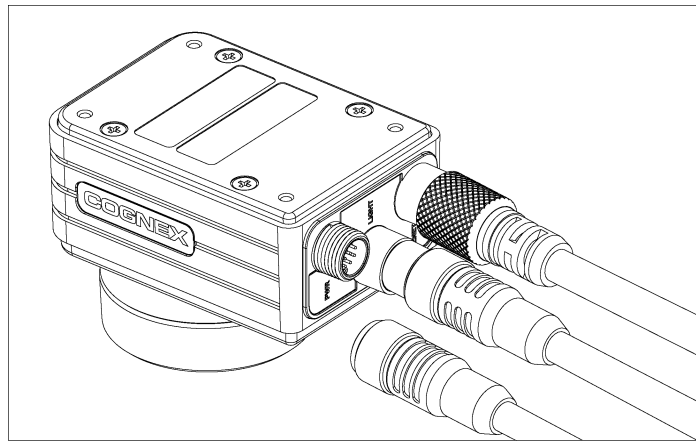
## Connect the Breakout Cable

**Note:** Unused bare wires can be clipped short or tied back using a tie made of non-conductive material. Keep all bare wires separated from the +24VDC wire.

1. Verify that the 24VDC power supply being used is unplugged and not receiving power.
2. Optionally, connect the I/O or serial wires to an appropriate device (for example, a PLC or a serial device). Refer to [Breakout Cable Specifications on page 25](#) for wiring details.
3. Attach the Breakout cable's +24VDC (Red wire) and 24V Common (Black wire) to the corresponding terminals on the power supply. Refer to [Breakout Cable Specifications on page 25](#) for wiring details.

**CAUTION:** Never connect voltages other than 24VDC. Always observe the polarity shown.

4. Connect the Breakout cable's M12 connector to the vision system's PWR connector.



**Figure 2-11: Connect the Breakout Cable**

5. Restore power to the 24VDC power supply and turn it on if necessary.



# Specifications

The following sections list general specifications for the In-Sight vision system.

## Vision System Specifications

Table 3-1: Vision System Specifications

Specifications	In-Sight 7010/7020/7050/7200/ 7210/7230/7400/7410/7430	In-Sight 7010C/7200C/7400C	In-Sight 7402/7412/7432	In-Sight 7402C
<b>Minimum Firmware Requirement</b>	In-Sight Version 4.9.0			
<b>Job/Program Memory</b>	512MB non-volatile flash memory; unlimited storage via remote network device.			
<b>Image Processing Memory</b>	256MB SDRAM			
<b>Sensor Type</b>	1/1.8-inch CMOS			
<b>Sensor Properties</b>	5.3mm diagonal, 5.3 x 5.3µm sq. pixels		8.7mm diagonal, 5.3 x 5.3µm sq. pixels	
<b>Maximum Resolution (pixels)<sup>1</sup></b>	800 x 600		1280 x 1024	
<b>Electronic Shutter Speed</b>	16µs to 950ms			
<b>Acquisition</b>	Rapid reset, progressive scan, full-frame integration.			
<b>Bit Depth</b>	256 grey levels (8 bits/pixel).	24-bit color.	256 grey levels (8 bits/pixel).	24-bit color.
<b>Frames Per Second<sup>2</sup></b>	102 full frames per second.	50 full frames per second.	60 full frames per second.	30 full frames per second.
<b>Lens Type</b>	M12 or C-Mount.			
<b>Trigger</b>	1 opto-isolated, acquisition trigger input. Remote software commands via Ethernet and RS-232C.			
<b>Discrete Inputs</b>	3 general-purpose inputs when connected to the Breakout cable. (Eight additional inputs available when using the optional CIO-MICRO or CIO-MICRO-CC I/O module.)			
<b>Discrete Outputs</b>	4 high-speed outputs when connected to the Breakout cable. (Eight additional outputs available when using the optional CIO-MICRO or CIO-MICRO-CC I/O module.)			
<b>Status LEDs</b>	Network link and activity, power and 2 user-configurable.			
<b>Internal LED Ring Light</b>	Red, Green, Blue, White, IR (M12 lens configuration only). <ul style="list-style-type: none"> <li>• White LED color temperature: 4100 K</li> <li>• Red LED wavelength: 625 nm</li> <li>• Green LED wavelength: 530 nm</li> <li>• Blue LED wavelength: 470 nm</li> <li>• IR LED wavelength: 850 nm</li> </ul>			
<b>Network Communication</b>	Ethernet port, 10/100 BaseT with auto MDI/MDIX. IEEE 802.3 TCP/IP protocol. Supports DHCP (factory default), static and link-local IP address configuration.			

<sup>1</sup> The number of image sensor rows are configurable and can be set within the In-Sight Explorer software. Decreasing the number of rows will increase the number of frames per second acquired by the vision system. Refer to the AcquireImage topic in the *In-Sight® Explorer Help* file for more information.

<sup>2</sup> Maximum frames per second is job-dependent, based on the minimum exposure for a full image frame capture using the dedicated acquisition trigger, and assumes there is no user interface connection to the vision system.

Specifications	In-Sight 7010/7020/7050/7200/ 7210/7230/7400/7410/7430	In-Sight 7010C/7200C/7400C	In-Sight 7402/7412/7432	In-Sight 7402C
<b>Serial Communication</b>	RS-232C: 4800 to 115,200 baud rates.			
<b>Power Consumption</b>	24VDC ±10%, 2.0 amp.			
<b>Material</b>	Aluminum housing.			
<b>Finish</b>	Painted.			
<b>Mounting</b>	Four M3 threaded mounting holes (1/4 - 20, M6 and flathead mounting holes also available on mounting bracket).			
<b>Lens Cover View Port Material</b>	Clear, hard-coated optical grade acrylic precision sheet with scratch-resistance coating on both sides.			
<b>M12 Lens Configuration Dimensions</b>	55mm (2.17in) x 84.8mm (3.34in) x 55mm (2.17in)			
<b>C-Mount Lens Configuration Dimensions</b>	75mm (2.95in) to 83mm (3.27in) x 84.8mm (3.34in) x 55mm (2.17in) with lens cover installed.			
	42.7mm (1.68in) x 84.8mm (3.34in) x 55mm (2.17in) without lens cover installed.			
<b>Weight</b>	220 g (7.8 oz.) with lens cover and typical M12 lens installed.			
<b>Operating Temperature</b>	0°C to 45°C (32°F to 113°F)			
<b>Storage Temperature</b>	-30°C to 80°C (-22°F to 176°F)			
<b>Humidity</b>	90%, non-condensing (Operating and Storage)			
<b>Protection</b>	IP67 with lens cover properly installed.			
<b>Shock (Shipping and Storage)</b>	80 G Shock per IEC 60068-2-27.			
<b>Vibration (Shipping and Storage)</b>	10G from 10-500Hz with a 50 gram or lighter lens per IEC60068-2-6, FC (C-Mount lens configuration only).			
<b>Regulatory Compliance</b>	CE, FCC, KCC, TÜV SÜD NRTL, EU RoHS			

## I/O Specifications

Cable and connector specifications and connection examples for acquisition trigger input, general-purpose inputs, high-speed outputs and RS-232 serial communications are provided in the following sections.

### Acquisition Trigger Input

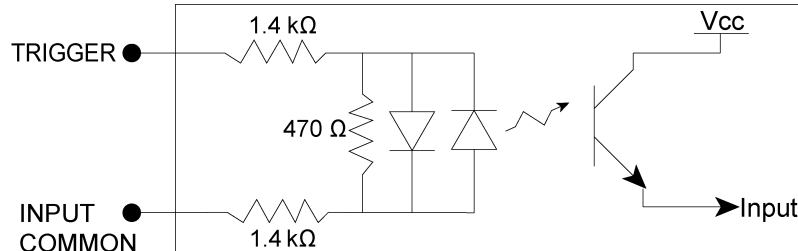
The vision system features one acquisition trigger input, which is optically isolated. The acquisition trigger input can be configured to trigger from either an NPN (current sinking) or PNP (current sourcing) device.

**Table 3-2: Acquisition Trigger Input**

Specification	Description
Voltage	ON: 24VDC $\pm$ 10% (24VDC nominal) OFF: 0 to 3VDC (0VDC nominal)
Current	ON: 6.6mA to 9.8mA OFF: <1mA Resistance: ~3.2 kOhms
Delay <sup>1</sup>	90 $\mu$ s maximum latency between leading edge of trigger and start of acquisition. Input pulse should be a minimum of 1ms wide

The Breakout cable can be used to trigger from an NPN photoelectric sensor or PLC output. Connect INPUT COMMON to +24VDC and TRIGGER to the output of the photoelectric sensor. When the output turns ON, it pulls INPUT COMMON down to 0VDC, turning the opto-coupler ON. For more information, refer to the [Breakout Cable Specifications on page 25](#).

The Breakout cable can also be used to trigger from a PNP photoelectric sensor or PLC output. Connect INPUT COMMON to 0VDC and TRIGGER to the output of the photoelectric sensor. When the output turns ON, it pulls TRIGGER up to +24VDC, turning the opto-coupler ON. For more information, refer to the [Breakout Cable Specifications on page 25](#).



**Figure 3-1: Acquisition Trigger Input Schematic**

<sup>1</sup> Maximum latency is based on a 1 $\mu$ s trigger debounce.

## General-Purpose Inputs

The vision system features three built-in general-purpose inputs, which are optically isolated. The inputs can be configured as either NPN (current sinking) or PNP (current sourcing) lines.

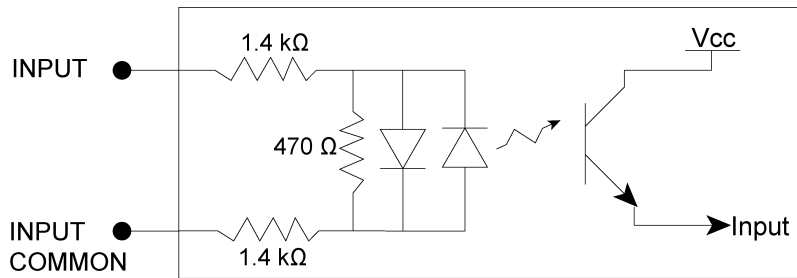
**Note:** Since all general-purpose inputs share a common ground (INPUT COMMON), all connected input devices must be either current sinking or current sourcing.

**Table 3-3: General-Purpose Inputs Specifications**

Specification	Description
Voltage	ON: 24VDC $\pm$ 10% (24VDC nominal) OFF: 0 to 3VDC (0VDC nominal)
Current	ON: 6.6mA to 9.8mA OFF: <1mA Resistance: ~3.2 kOhms
Delay <sup>1</sup>	90 $\mu$ s maximum latency between leading edge of trigger and start of acquisition. Input pulse should be a minimum of 1ms wide.

For NPN lines, to utilize an input, connect INPUT COMMON to +24VDC and attach the photoelectric sensor or PLC output to the corresponding input.

For PNP lines, to utilize an input, connect INPUT COMMON to 0VDC and attach the photoelectric sensor or PLC output to the corresponding input.



**Figure 3-2: General-Purpose Input Schematic**

<sup>1</sup> Maximum latency is based on a 1 $\mu$ s trigger debounce.

### General-Purpose Input - NPN Configuration

The Breakout cable can be used to connect to an NPN-compatible PLC output. Connect any general-purpose input directly to the PLC output. For more information, refer to the [Breakout Cable Specifications on page 25](#).

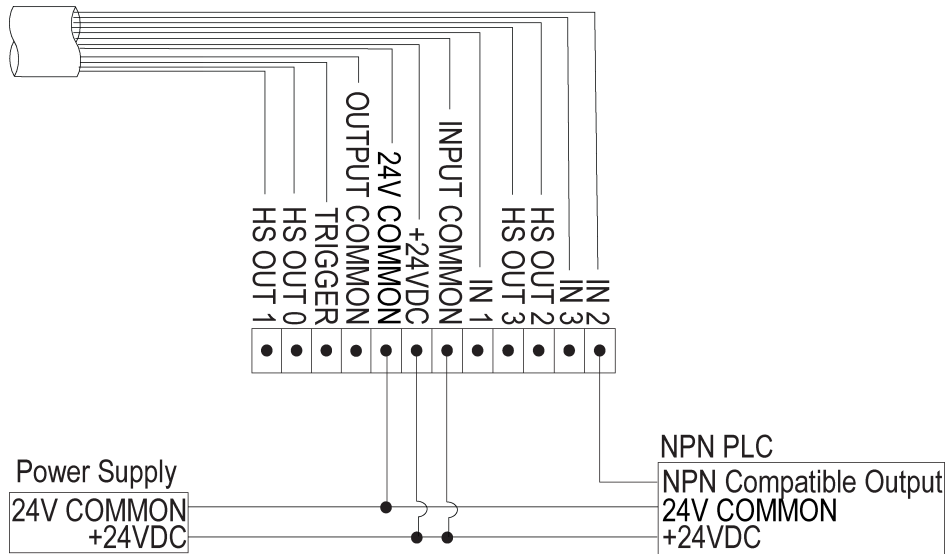


Figure 3-3: General-Purpose Input - NPN Configuration

### General-Purpose Input - PNP Configuration

The Breakout cable can be used to connect to a PNP-compatible PLC output. Connect any general-purpose input directly to the PLC output. For more information, refer to the [Breakout Cable Specifications on page 25](#).

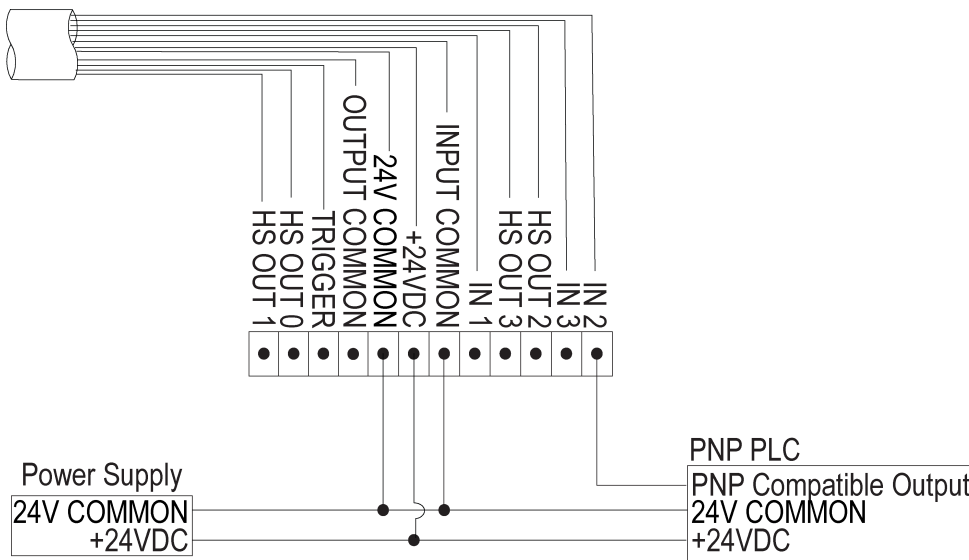


Figure 3-4: General-Purpose Input - PNP Configuration

## High-Speed Outputs

The vision system features four built-in high-speed outputs, which are optically isolated. The outputs can be configured as either NPN (current sinking) or PNP (current sourcing) lines.

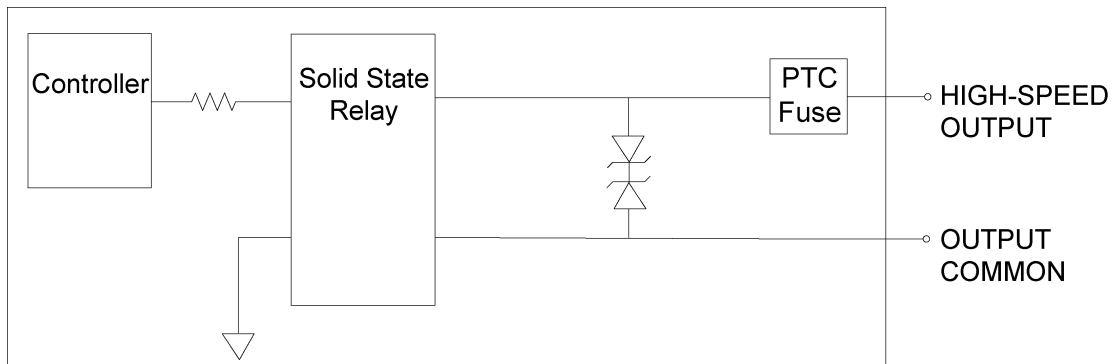
**Note:** Since all high-speed outputs share a common ground (OUTPUT COMMON), all connected output devices must be either current sinking or current sourcing.

**Table 3-4: High-Speed Outputs Specifications**

Specification	Description
Voltage	30VDC maximum through external load.
Current	100mA maximum sink current.
	OFF state leakage current 100µA maximum.
	External load resistance <10 kOhms.
	Each line rated at a maximum 100mA, protected against over-current, short circuit and transients from switching inductive loads. High current inductive loads require an external protection diode.
Delay <sup>1</sup>	ON: 750µs maximum latency. OFF: 200µs maximum latency.

For NPN lines, the external load should be connected between the output and the positive supply voltage (+24VDC nominal). OUTPUT COMMON should be connected to the negative supply voltage (0VDC). The outputs pull down to 1VDC or less when ON, which causes current to flow through the load. When the outputs are OFF, no current flows through the load.

For PNP lines, the external load should be connected between the output and the negative supply voltage (0VDC). When OUTPUT COMMON is connected to the positive supply voltage (+24VDC nominal), the outputs pull up to 23VDC or greater when ON, and current flows through the load. When the outputs are OFF, no current flows through the load.



**Figure 3-5: High-Speed Output Schematic**

<sup>1</sup> If HS OUT 0 is configured as a Strobe output type within In-Sight Explorer, the maximum strobe latency is 200µs. For more information, refer to the *In-Sight® Explorer Help* file.

### High-Speed Output - NPN Configuration

The Breakout cable can be used to connect to an NPN-compatible PLC input. Connect any high-speed output directly to the PLC input. When enabled, the output pulls the PLC input down to 1VDC or less. For more information, refer to the [Breakout Cable Specifications on page 25](#).

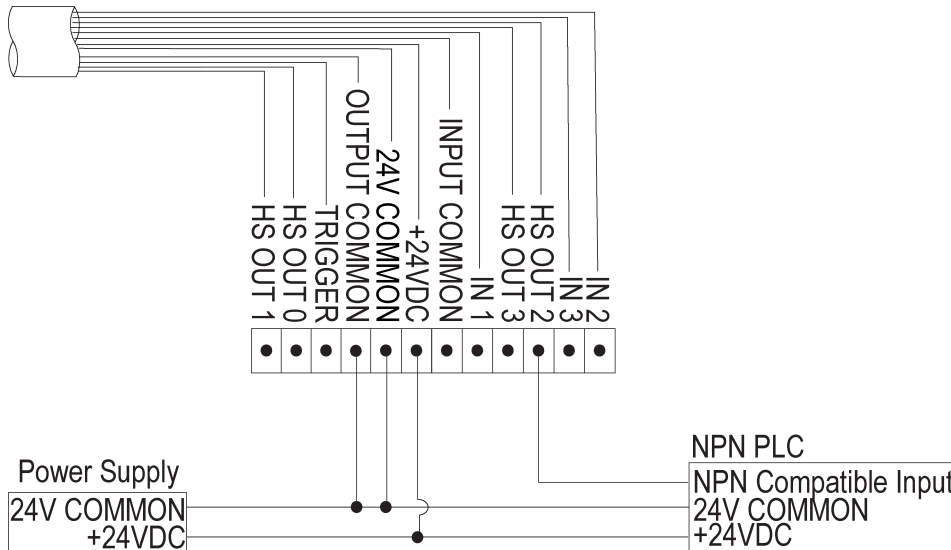


Figure 3-6: High-Speed Output - NPN Configuration

### High-Speed Output - PNP Configuration

The Breakout cable can be used to connect to a PNP-compatible PLC input. Connect any high-speed output directly to the PLC input. When enabled, the output pulls the PLC input up to 23VDC or greater. For more information, refer to the [Breakout Cable Specifications on page 25](#).

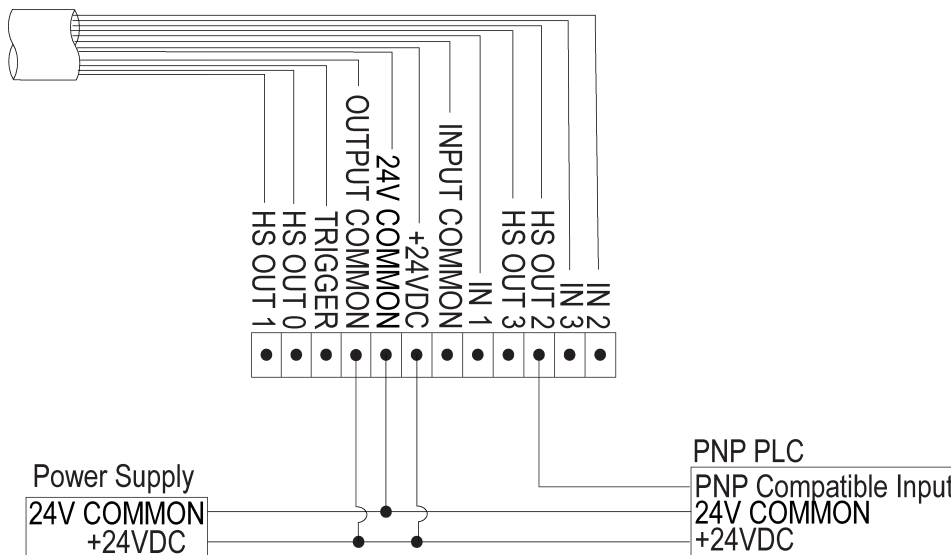


Figure 3-7: High-Speed Output - PNP Configuration

## RS-232 Receive and Transmit

The vision system can be connected to an RS-232 interface, which is non-isolated. When enabled, the RS-232 RECEIVE signal replaces IN 1, and the RS-232 TRANSMIT signal replaces HS OUT 1.

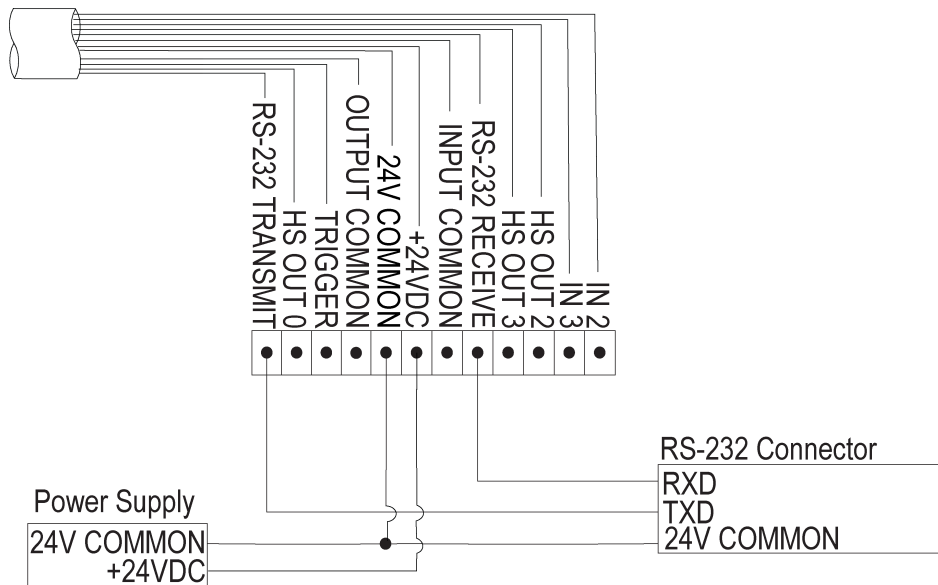
**Table 3-5: RS-232 Receive and Transmit Specifications**

Specification	Description
Resistance	>10 kOhms
Baud rates	4800, 9600, 19200, 38400, 57600 and 115200.
Data Bits	7, 8
Stop Bits	1, 2
Parity	None, even and odd.
Handshaking	Software: Xon/Xoff. Hardware: None. <sup>1</sup>

## RS-232 Connector Configuration

The Breakout cable can be used to connect to an RS-232 connector. For more information, refer to the [Breakout Cable Specifications on page 25](#).

**Tip:** If the serial signal output is not detected, make sure the 24V COMMON line is connected between the RS-232 device and the vision system.



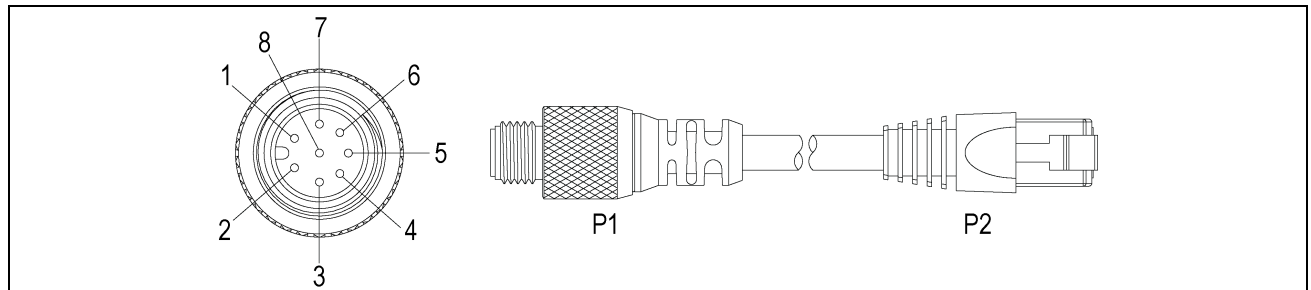
**Figure 3-8: RS-232 Connector Configuration**

<sup>1</sup> If hardware handshaking is required, an I/O module must be used.

## Ethernet Cable Specifications

The Ethernet cable is used to connect the vision system to other network devices. The Ethernet cable can be connected to a single device or provide connections to multiple devices via a network switch or router.

**Table 3-6: Ethernet Cable Pin-Out**



P1 Pin#	Signal Name	Wire Color	P2 Pin#
6	TPO+	White/Orange	1
4	TPO-	Orange	2
5	TPI+	White/Green	3
7	TRMA	Blue	4
1	TRMB	White/Blue	5
8	TPI-	Green	6
2	TRMC	White/Brown	7
3	TRMD	Brown	8

**Note:**

- Cables are sold separately.

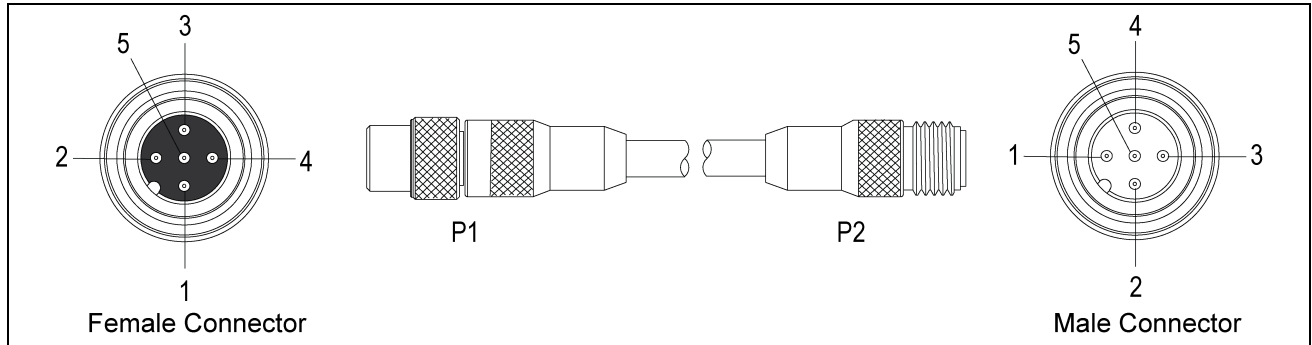


- The wiring for this cable follows standard industrial Ethernet M12 specifications. This varies from the 568B standard.

## Light Cable Specifications

The Light cable is used to connect the vision system to an external lighting device, providing power and strobe control. The vision system can be connected to either a continuous lighting device or a strobed lighting device. Before using a lighting device, you must use the Light Settings dialog within In-Sight Explorer to configure the light settings for either a PNP or NPN configuration, depending on the light vendor. For more information, refer to the Light Settings topic in the *In-Sight® Explorer Help* file.

**Table 3-7: Light Cable Pin-Out**



Pin#	Signal Name	Wire Color
1	LIGHT POWER <sup>1</sup>	Brown
2	RESERVED	White
3	24V COMMON	Blue
4	STROBE <sup>2</sup>	Black
5	RESERVED	Grey

**Note:** Cables are sold separately.

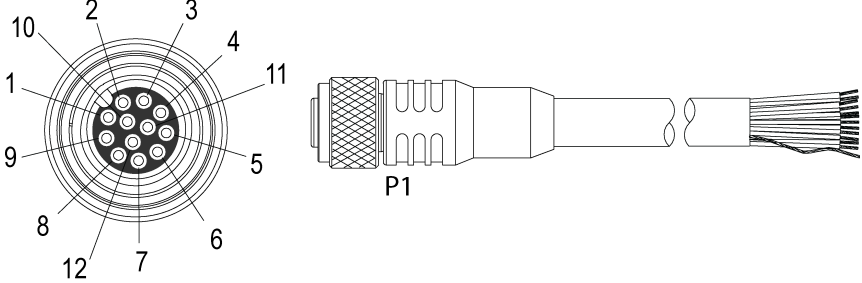
<sup>1</sup> Light Power: 24VDC; Continuously ON: 500mA Max; Strobe: 1amp Max at 50% duty cycle (max on time of 100ms).

<sup>2</sup> Strobe: 5mA Max current; 10 µs maximum latency between leading edge of trigger and start of strobe. Strobe pulse should be a minimum of 1ms wide.

## Breakout Cable Specifications

The Breakout cable provides connections to an external power supply, the acquisition trigger input, general-purpose inputs, high-speed outputs and RS-232 serial communications. The Breakout cable is not terminated.

**Table 3-8: Breakout Cable Pin-Out**



Pin#	Signal Name (I/O Mode)	Wire Color
1	IN 2	Yellow
2	IN 3	White/Yellow
3	HS OUT 2	Brown
4	HS OUT 3	White/Brown
5	IN 1/ RS-232 RECEIVE <sup>1</sup>	Violet
6	INPUT COMMON	White/Violet
7	+24VDC	Red
8	24V COMMON	Black
9	OUTPUT COMMON	Green
10	TRIGGER	Orange
11	HS OUT 0	Blue
12	HS OUT 1/ RS-232 TRANSMIT <sup>2</sup>	Grey
Shell	SHIELD	Bare Wire

**Note:**



- Cables are sold separately.
- Unused bare wires can be clipped short or tied back using a tie made of non-conductive material. Keep all bare wires separated from the +24VDC wire.

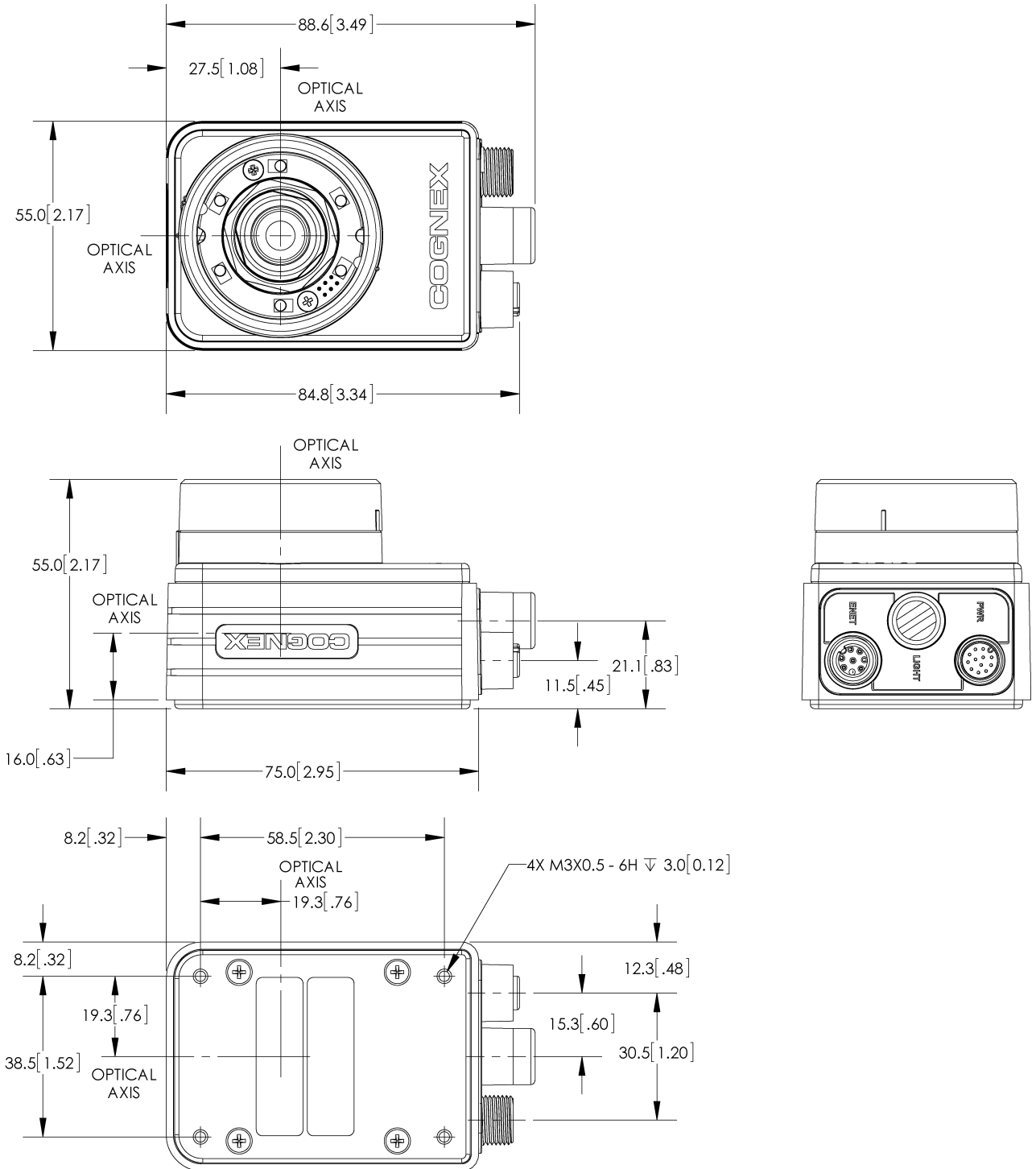
<sup>1</sup> If hardware handshaking is required, an I/O module must be used.

<sup>2</sup> If hardware handshaking is required, an I/O module must be used.

## Vision System Dimensions

**Note:**

- All dimensions are in millimeters [inches] and are for reference purposes only.
- All specifications may be changed without notice.



**Figure 3-9: M12 Lens Configuration**

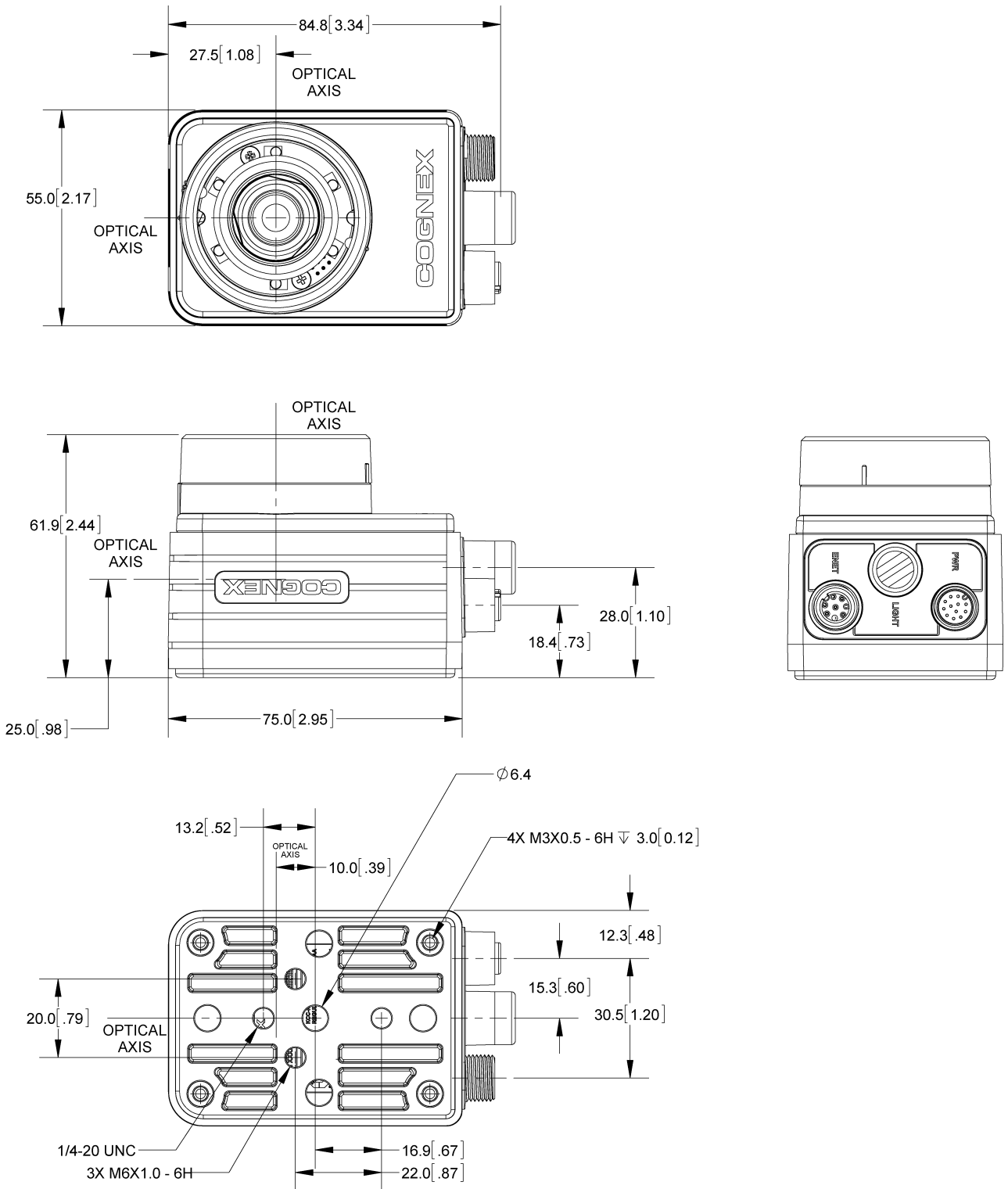
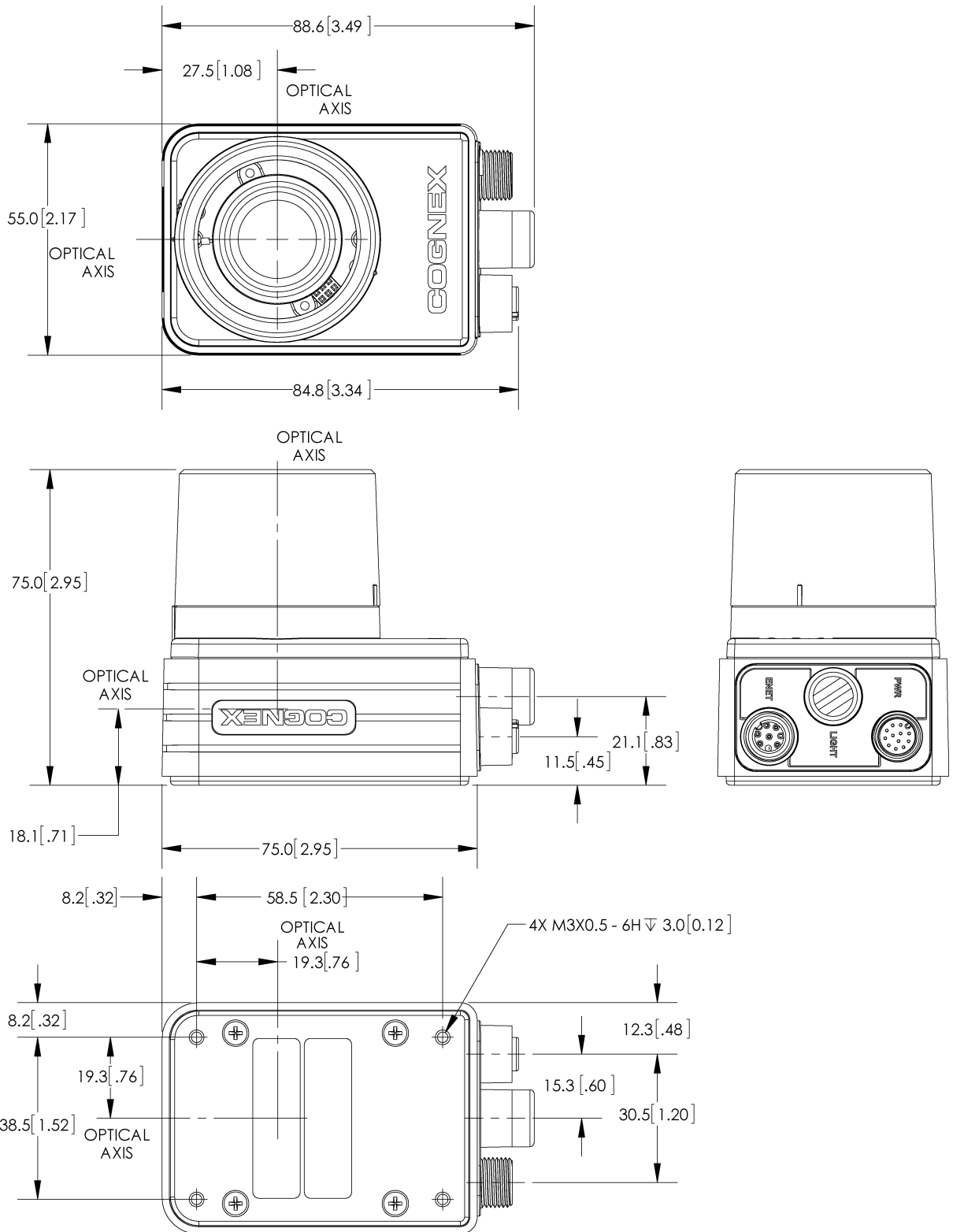


Figure 3-10: M12 Lens Configuration (With Mounting Bracket)



**Figure 3-11: C-Mount Lens Configuration (With Lens Cover)**

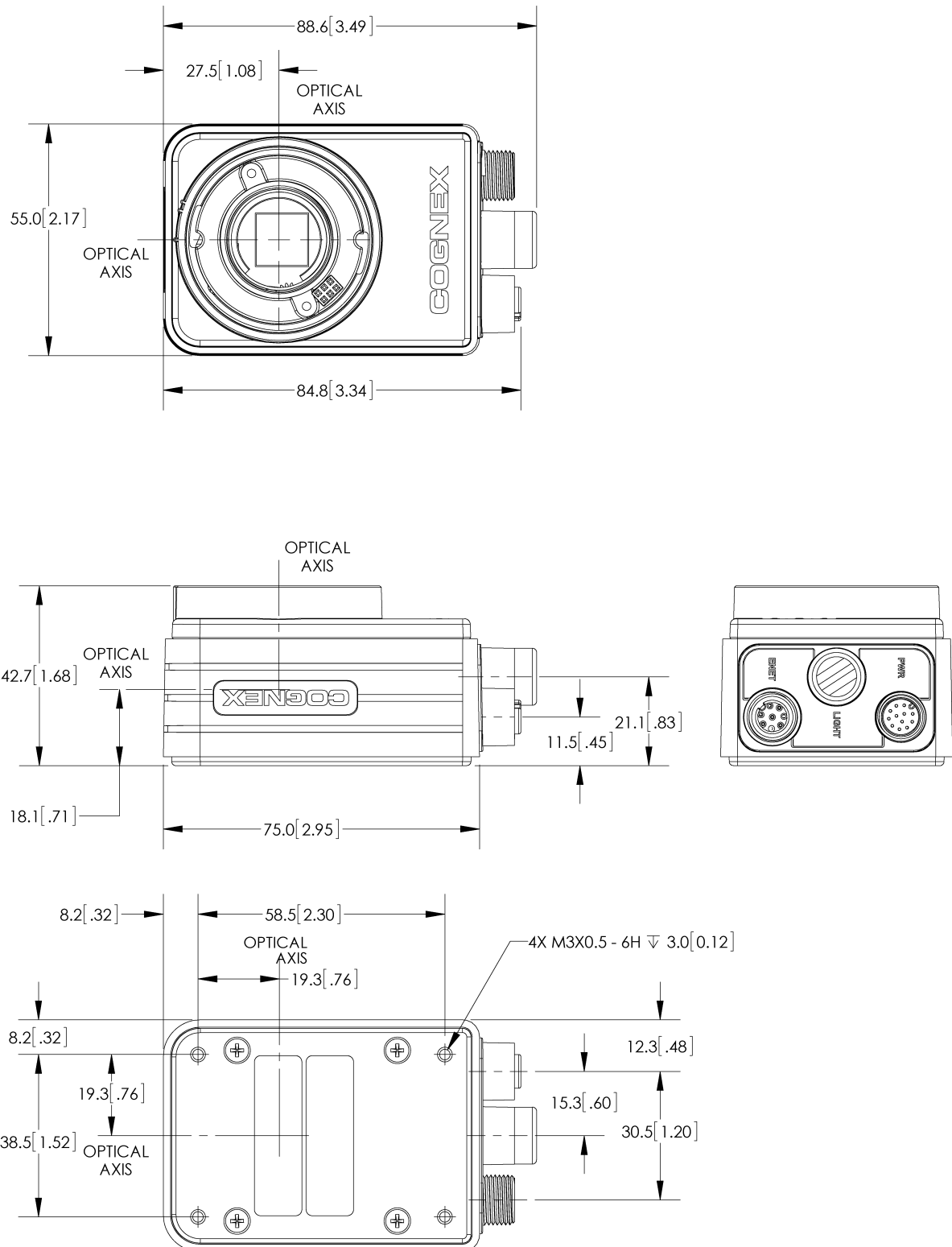


Figure 3-12: C-Mount Lens Configuration (Without Lens Cover)




# Appendix A - Cleaning/Maintenance

## Clean the Vision System Housing

To clean the outside of the vision system housing, use a small amount of mild detergent cleaner or isopropyl alcohol on a cleaning cloth. Do not pour the cleaner directly onto the vision system housing.

---

 **CAUTION:** Do not attempt to clean any In-Sight product with harsh or corrosive solvents, including lye, methyl ethyl ketone (MEK) or gasoline.

---

## Clean the Vision System Image Sensor Window (C-Mount Lens Configuration)

To remove dust from the outside of the image sensor window, use a pressurized air duster. The air must be free of oil, moisture or other contaminants that could remain on the glass and possibly degrade the image. Do not touch the glass window. If oil/smudges still remain, clean the window with a cotton bud using alcohol (ethyl, methyl or isopropyl). Do not pour the alcohol directly on the window.

## Clean the Vision System Lens Cover

To remove dust from the lens cover, use a pressurized air duster. The air must be free of oil, moisture or other contaminants that could remain on the lens cover. To clean the plastic window of the lens cover, use a small amount of isopropyl alcohol on a cleaning cloth. Do not scratch the plastic window. Do not pour the alcohol directly on the plastic window.





