

DataMan[®] Fixed Mount Readers Reference Manual

2018 September 17

Revision: 6.1.03000001.2

Legal Notices

The software described in this document is furnished under license, and may be used or copied only in accordance with the terms of such license and with the inclusion of the copyright notice shown on this page. Neither the software, this document, nor any copies thereof may be provided to, or otherwise made available to, anyone other than the licensee. Title to, and ownership of, this software remains with Cognex Corporation or its licensor. Cognex Corporation assumes no responsibility for the use or reliability of its software on equipment that is not supplied by Cognex Corporation. Cognex Corporation makes no warranties, either express or implied, regarding the described software, its merchantability, non-infringement or its fitness for any particular purpose.

The information in this document is subject to change without notice and should not be construed as a commitment by Cognex Corporation. Cognex Corporation is not responsible for any errors that may be present in either this document or the associated software.

Companies, names, and data used in examples herein are fictitious unless otherwise noted. No part of this document may be reproduced or transmitted in any form or by any means, electronic or mechanical, for any purpose, nor transferred to any other media or language without the written permission of Cognex Corporation.

Copyright © 2018. Cognex Corporation. All Rights Reserved.

Portions of the hardware and software provided by Cognex may be covered by one or more U.S. and foreign patents, as well as pending U.S. and foreign patents listed on the Cognex web site at: <http://www.cognex.com/patents>.

The following are registered trademarks of Cognex Corporation:

Cognex, 2DMAX, Advantage, AlignPlus, Assemblyplus, Check it with Checker, Checker, Cognex Vision for Industry, Cognex VSOC, CVL, DataMan, DisplayInspect, DVT, EasyBuilder, Hotbars, IDMax, In-Sight, Laser Killer, MVS-8000, OmniView, PatFind, PatFlex, PatInspect, PatMax, PatQuick, SensorView, SmartView, SmartAdvisor, SmartLearn, UltraLight, Vision Solutions, VisionPro, VisionView

The following are trademarks of Cognex Corporation:

The Cognex logo, 1DMax, 3D-Locate, 3DMax, BGAll, CheckPoint, Cognex VSoC, CVC-1000, FFD, iLearn, In-Sight (design insignia with cross-hairs), In-Sight 2000, InspectEdge, Inspection Designer, MVS, NotchMax, OCRMax, PatMax RedLine, ProofRead, SmartSync, ProfilePlus, SmartDisplay, SmartSystem, SMD4, VisiFlex, Xpand

Portions copyright © Microsoft Corporation. All rights reserved.

Portions copyright © MadCap Software, Inc. All rights reserved.

Other product and company trademarks identified herein are the trademarks of their respective owners.

Table of Contents

Legal Notices	2
Table of Contents	3
About This Manual	6
Symbols	6
Safety Information	7
Warnings And Notices	7
Mechanical Information	8
DataMan 50 Reader Dimensions	8
DataMan 60 Reader Dimensions	9
DataMan 70 Series Reader Dimensions	10
DataMan 150 Reader Dimensions	11
DataMan 260 Reader Dimensions	12
DataMan 300 Series Reader Dimensions	13
DataMan 360 Series Reader Dimensions	15
DataMan 470 Series Reader Dimensions	16
DataMan 503 Reader Dimensions	18
Service Procedures	19
DataMan 50 Service Procedures	19
DataMan 60 Service Procedures	20
DataMan 70 Service Procedures	21
DataMan 150 and 260 Series Service Procedures	23
DataMan 300 and 360 Series Service Procedures	27
DataMan 470 Series Service Procedures	36
DataMan 503 Service Procedures	40
Mounting Requirements	41
Grounding	42
Thermal and Environmental Requirements	43
DataMan 50, 150, 260, 300, 360, 470, and 503 IP Rating	43
DataMan 60 and 70 IP Rating	43
Electrical Information	44
DataMan 50 and 60 Discrete I/O Connector	44
DataMan 50 and 60 USB & Flying Leads I/O Cable	44
DataMan 50 and 60 RS-232 & Flying Leads I/O Cable	45
DataMan 50 and 60 Digital Input Lines	45
DataMan 50 and 60 External Wiring Examples: Digital Input Lines	46
DataMan 50 and 60 Digital Output Lines	47
DataMan 50 and 60 External Wiring Examples: Digital Output Lines	49
DataMan 70 and 150 Discrete I/O Connector	50
DataMan 70 and 150 RS-232 Cable	50
DataMan 150 Flying Leads Cable	51
DataMan 260 Discrete I/O Connector	52
DataMan 260 Ethernet Cable	53
DataMan 260 Acquisition Triggering	54
DataMan 260 High-Speed Output Lines	55
DataMan 260 High-Speed Output Wiring	55

DataMan 300, 360, 370, and 470 Series Readers Discrete I/O Connector	57
DataMan 300, 360, and 470 Series Readers External Light Control	58
DataMan 300, 360, 370 Series Readers Power Requirements	58
DataMan 300, 360, and 470 Series Readers Acquisition Triggering	58
DataMan 300, 360, and 470 Series, and DataMan 503 Readers High Speed Output Lines	59
DataMan 300, 360, 370, and 470 Series Readers High Speed Output Wiring	60
DataMan 503 Discrete I/O Connector	61
DataMan 503 RS-232 Serial Connector	61
DataMan 503 External Light Control	62
DataMan 503 High-Speed Output Wiring	62
DataMan 503 Power Requirements	63
Connecting the Encoder to a DataMan	64
Optics and Lighting	65
DataMan 50 and 60 Reading Distances and Field of View	65
DataMan 70, 150 and 260 Reading Distances and Field of View	67
DataMan 300 and 360 Series Readers Reading Distances and Field of View	72
Scan Map for DataMan 300 and 360 Series Readers Using a 10.3 mm Lens	72
Scan Map for DataMan 300 and 360 Series Readers Using a 16 mm Lens	73
Scan Map for DataMan 300 and 360 Series Readers Using a 19 mm Lens	74
Scan Map for DataMan 300 and 360 Series Readers Using a 25 mm Lens	75
DataMan 470 Series Readers Reading Distances and Field of View	76
Reading Distance and Field of View (Cognex product name in content Readers with a 10.3 mm Lens)	76
Reading Distance and Field of View (Cognex product name in content Readers with a 16 mm Lens)	77
Reading Distance and Field of View (Cognex product name in content Readers with a 19 mm Lens with a Liquid Lens)	77
Reading Distance and Field of View (Cognex product name in content Readers with a 24 mm Lens with Liquid Lens)	78
Reading Distance and Field of View (Cognex product name in content Readers with a 25 mm Lens)	79
DataMan 503 Readers Reading Distances and Field of View	81
Scan Map for DataMan 503 Series Readers Using a 16 mm Lens Module	81
Scan Map for DataMan 503 Series Readers Using a 25 mm Lens Module	82
Scan Map for DataMan 503 Series Readers Using a 35 mm Lens Module	82
CS-Mount Lens Characteristics	83
DataMan 503 CS-Mount Lens Characteristics	83
Internal Lighting	84
DataMan 50 and 60 Internal Lighting	84
DataMan 70, 150 and 260 Internal Lighting	84
DataMan 300, 360, and 470 Series Readers Internal Lighting	84
External Lighting	87
DataMan 50 and 60 External Lighting	87
DataMan 50 and 60 Illumination Strobe Output	87
DataMan 50 and 60 External Load Strobe Output	89
DataMan 300, 360, and 470 Series Readers External Lighting	89
DataMan 50, 60, 300, 360, and 470 External Lighting Duration	91
DataMan 503 External Lighting Duration	92
Operations Guide	93
Trigger Modes	93
Self-Trigger	93
Manual	93

Burst	93
Continuous	93
Single	93
Presentation	93
Package Detection Support	94
Test Mode	94
Code Training	95
Automatic Code Training for DPM Symbols	95
Image Buffering and Image Recording	95
Retrieving Buffered Images	96
DataMan Master/Slave Configuration	96
Master	96
Slaves	97
Data Formatting	97
Limitations	97
Synchronized Acquisition	97
Using C/CS-Mount Lenses	100
Aperture Setting	100
Selecting Optimum Focus	100
Optimizing Performance	100
Read Interval and Timeout Configuration	100
Optimizing Burst Trigger Parameters	100
Reducing DataMan Processing Requirements	101
Avoiding Reflections and Glare	101
Application Guide	102
Understanding Your Application Envelope	102
Tote Scanning	103
Side Scanning	104
Side Scanning (Large Field)	104
Print Verification (Carton Coding and Print & Apply)	105
Manual Presentation Scanning	106
Precautions	107


About This Manual


The *DataMan Fixed Mount Readers Reference* provides detailed information on the configuration and operation of DataMan fixed-mount readers. It includes the following sections:


- [Safety Information](#)
- [Mechanical Information](#)
- [Electrical Information](#)
- [Optics and Lighting](#)
- [Operation](#)
- [Application Guide](#)


Symbols

The following symbols indicate safety precautions and supplemental information:

 **WARNING:** This symbol indicates a hazard that could cause death, serious personal injury or electrical shock.

 **CAUTION:** This symbol indicates a hazard that could result in property damage.

 **Note:** This symbol indicates additional information about a subject.

 **Tip:** This symbol indicates suggestions and shortcuts that might not otherwise be apparent.

Safety Information

The DataMan 300, 360, 470, and 503 series readers have laser light.



If you need more information on the collection, reuse, and recycling systems, please contact your local or regional waste administration.

You may also contact your supplier for more information on the environmental performance of this product.

Warnings And Notices

CAUTION: IP protection is ensured only when all connectors are attached to cables or shielded by a sealing cap.

Note: For product support, contact <http://support.cognex.com>.

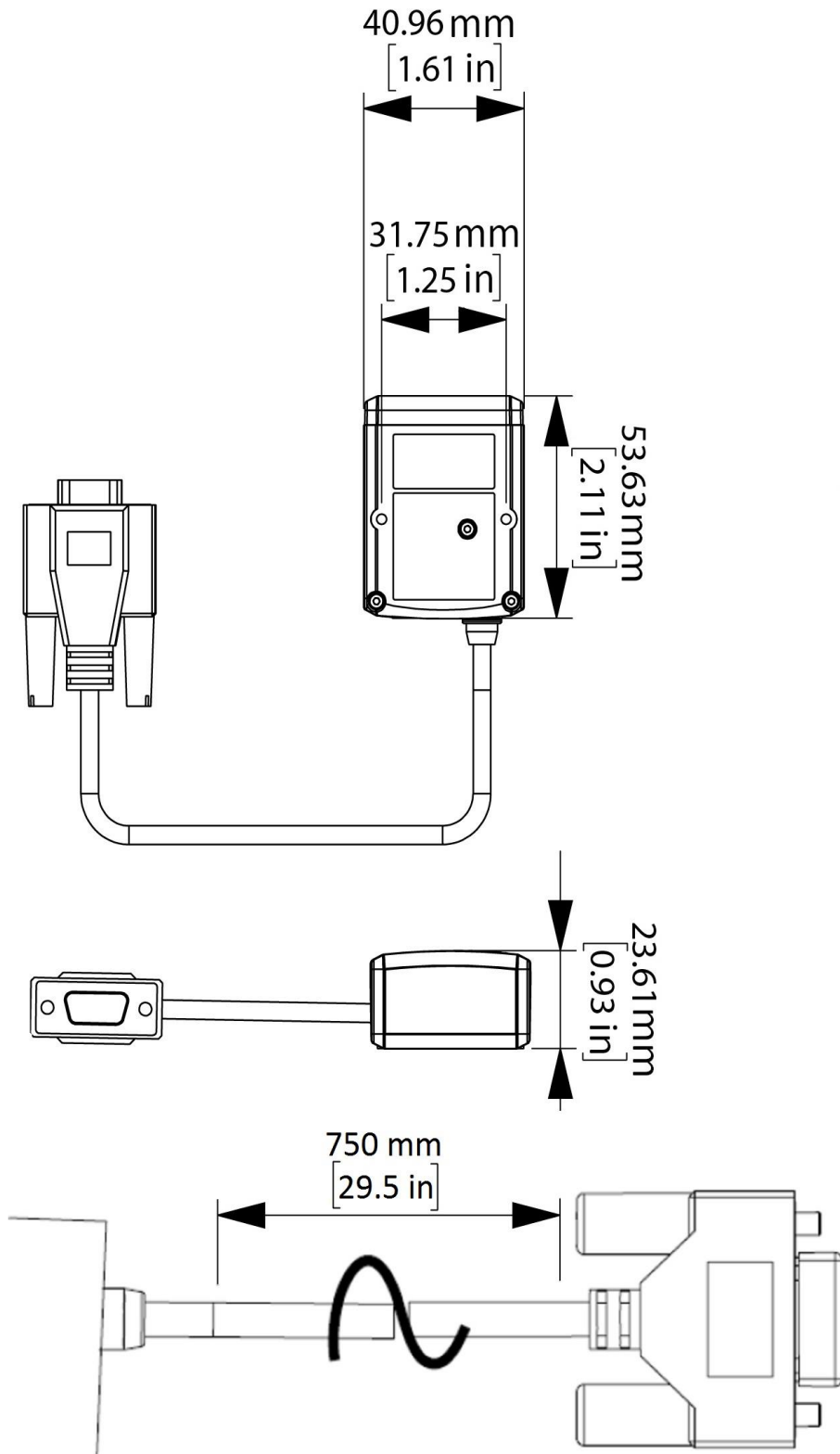
CAUTION: Use of controls or adjustments or performance of procedures other than those specified herein may result in hazardous radiation exposure.

- Do not attempt to service or repair this product - return it to Cognex for service.
- Do not permit anyone other than Cognex Corporation to service, repair, or adjust this product.
- Do not attempt to open or modify this device except as described in this document.
- Do not direct or reflect laser light toward people or reflective objects.
- Do not operate this device if it is damaged or if the covers or seals are missing or damaged.

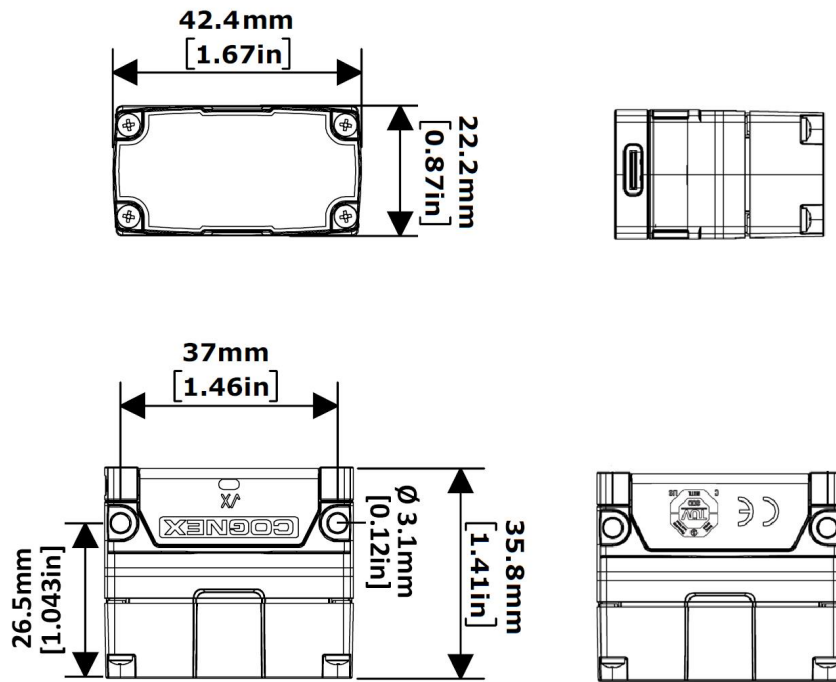
This Laser Product is designated as Class 2 during all procedures of operation.

Wavelength	650 nm
Laser power for classification	< 1mW
Beam Diameter	< 3mm at aperture
Divergence	< 1.5 mrad

DataMan 60 Reader Dimensions

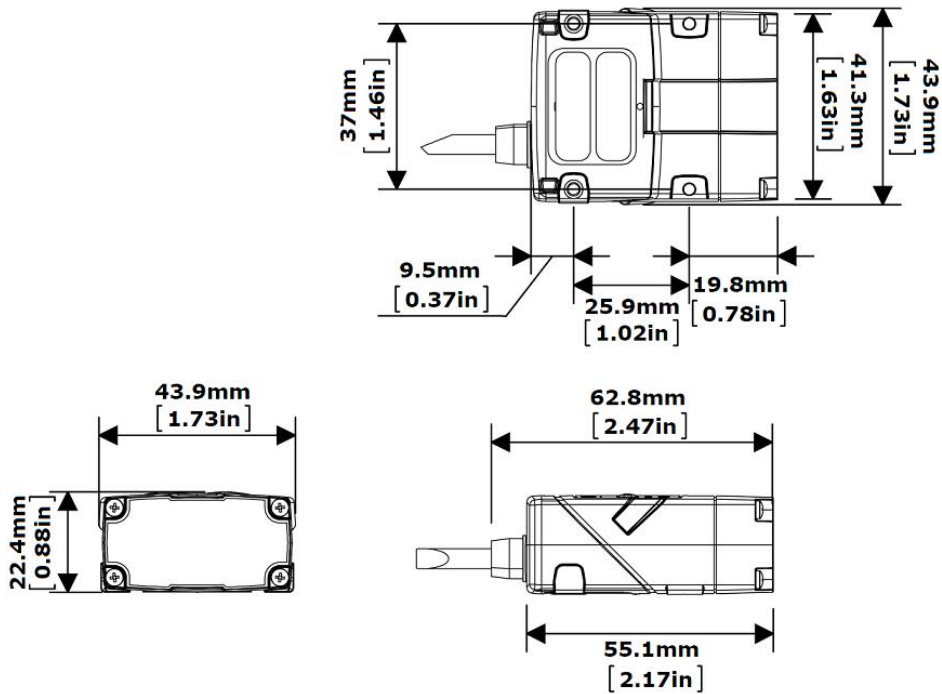


DataMan 70 Series Reader Dimensions

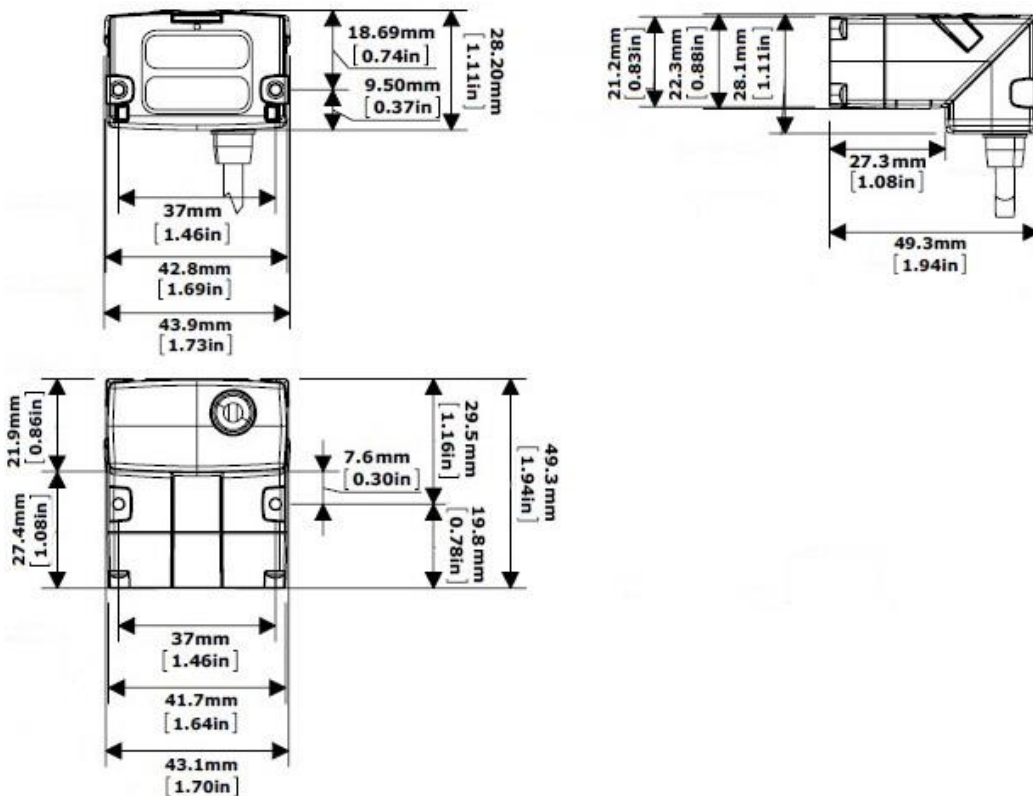


DataMan 150 Reader Dimensions

DataMan 150 dimensions in the straight configuration:

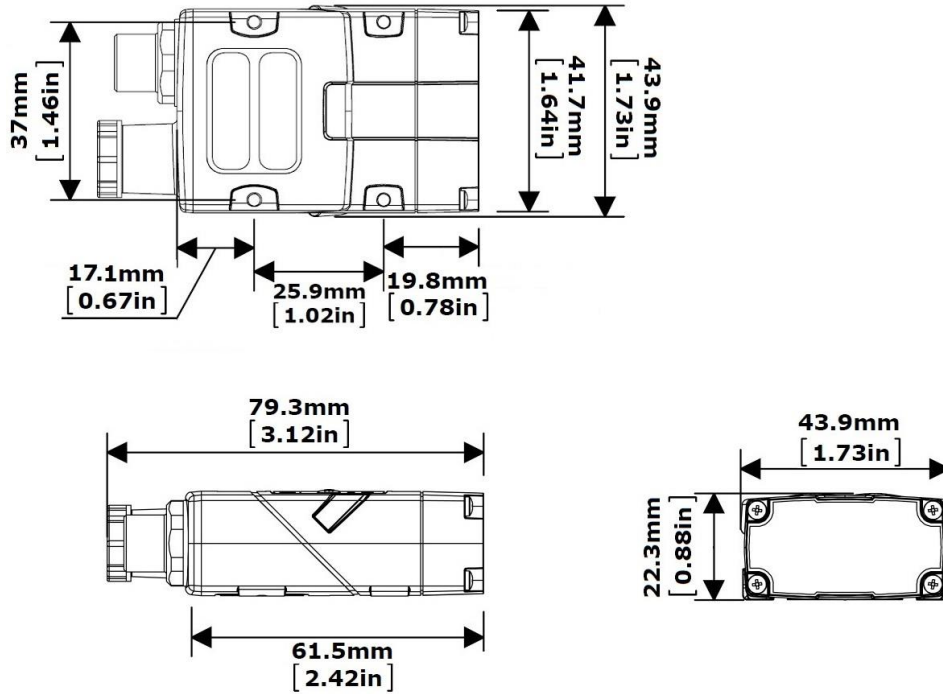


DataMan 150 dimensions in the angled configuration:

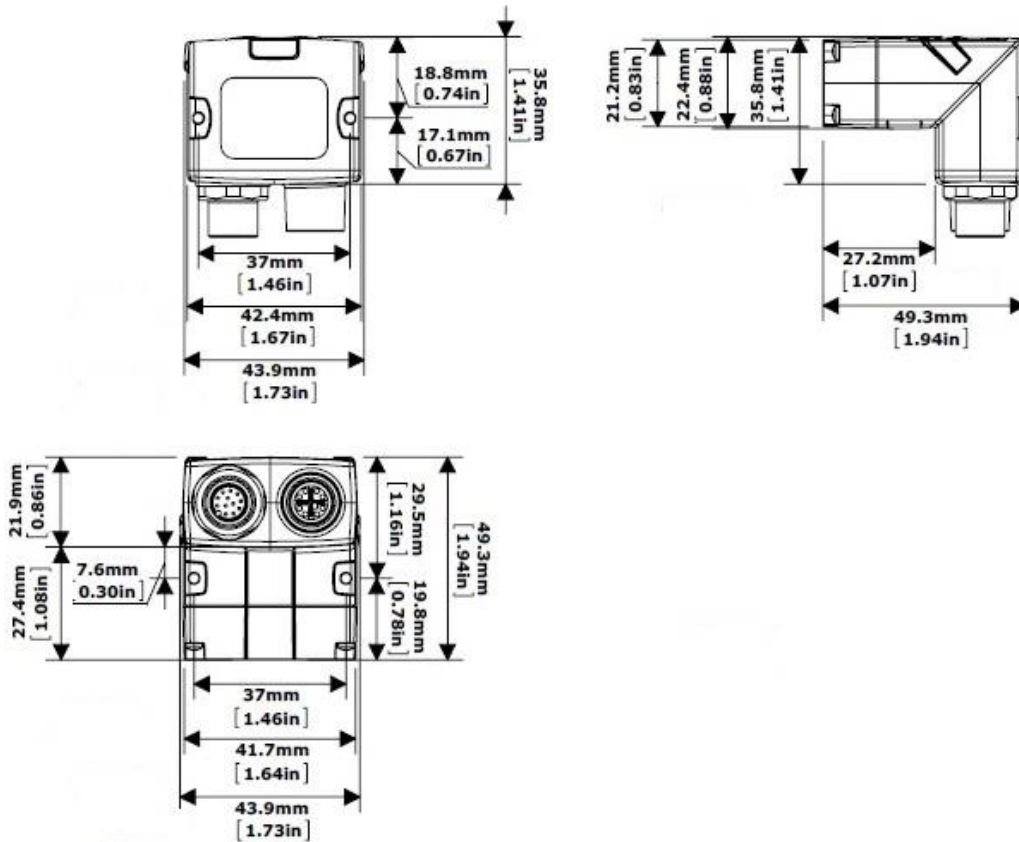


DataMan 260 Reader Dimensions

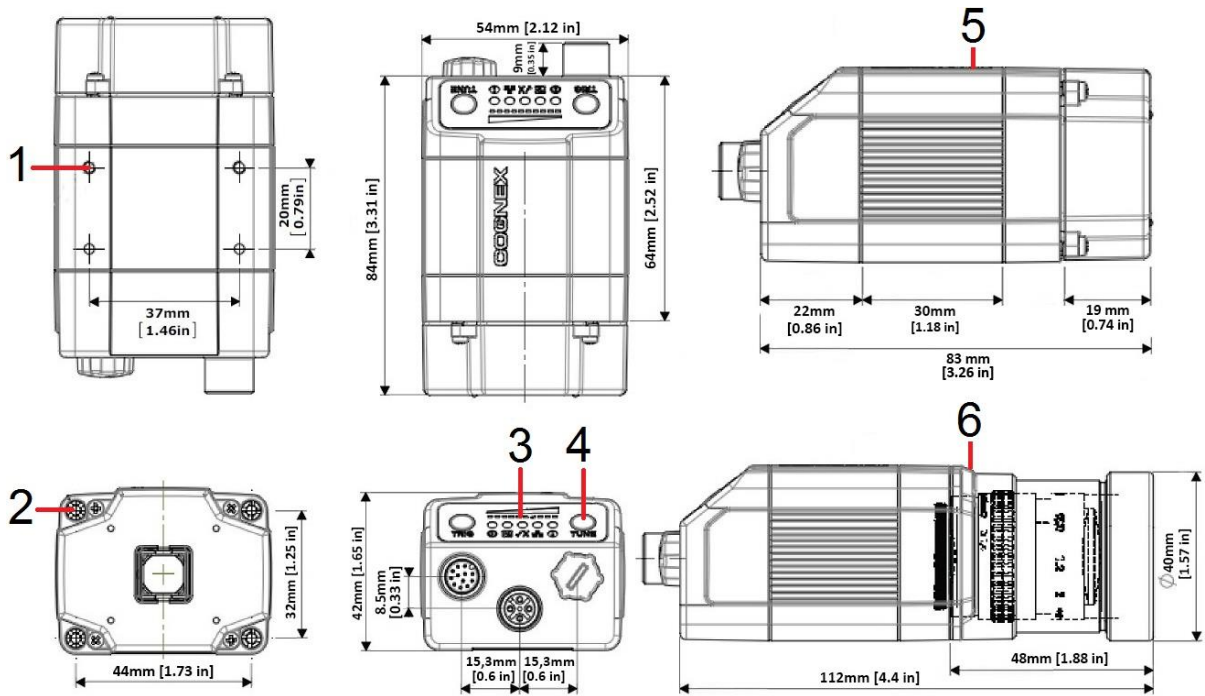
DataMan 260 dimensions in the straight configuration:



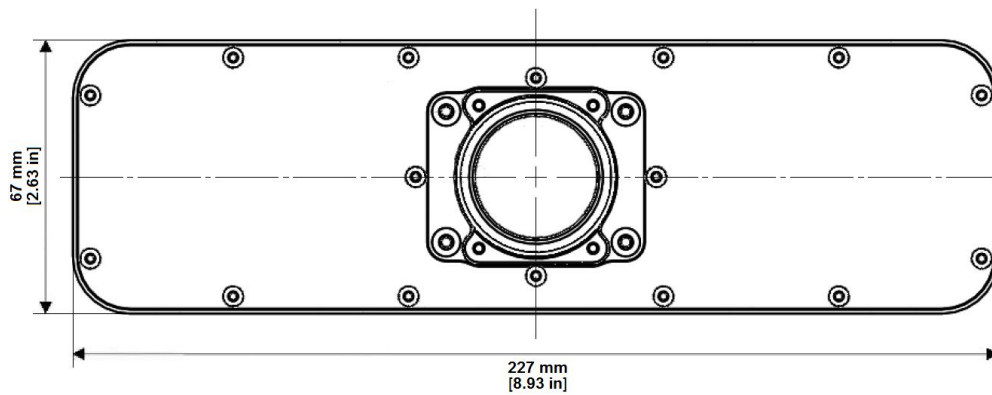
DataMan 260 dimensions in the angled configuration:

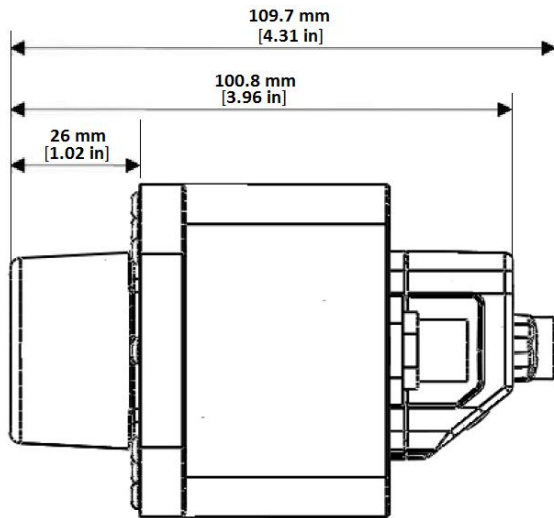
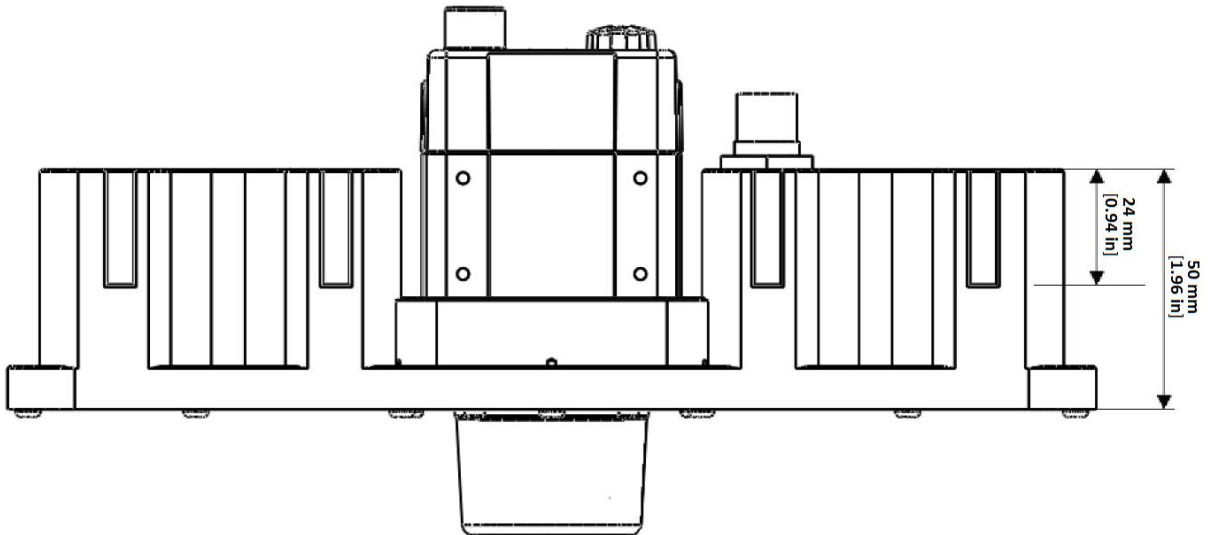


DataMan 300 Series Reader Dimensions



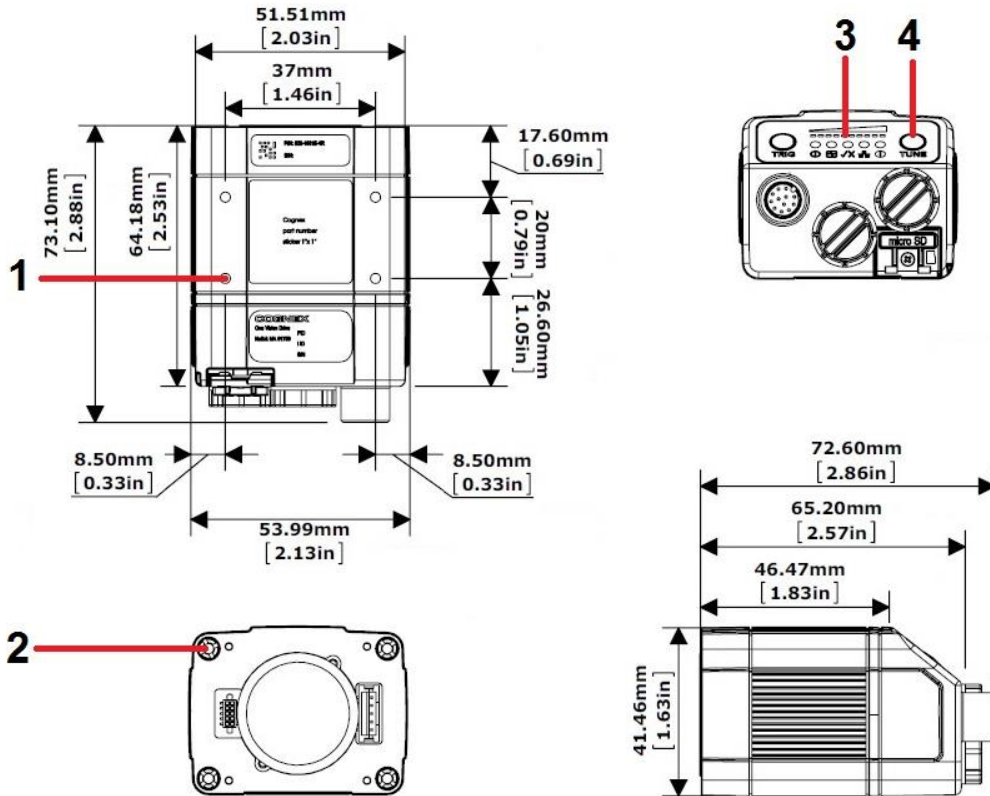
1	M3-5 (4x) mounting holes of the device
2	M3-6 (4x) mounting holes for external illumination
3	Illumination lights
4	Operating buttons
5	S-Mount (M12) Lens version
6	C-Mount Lens version



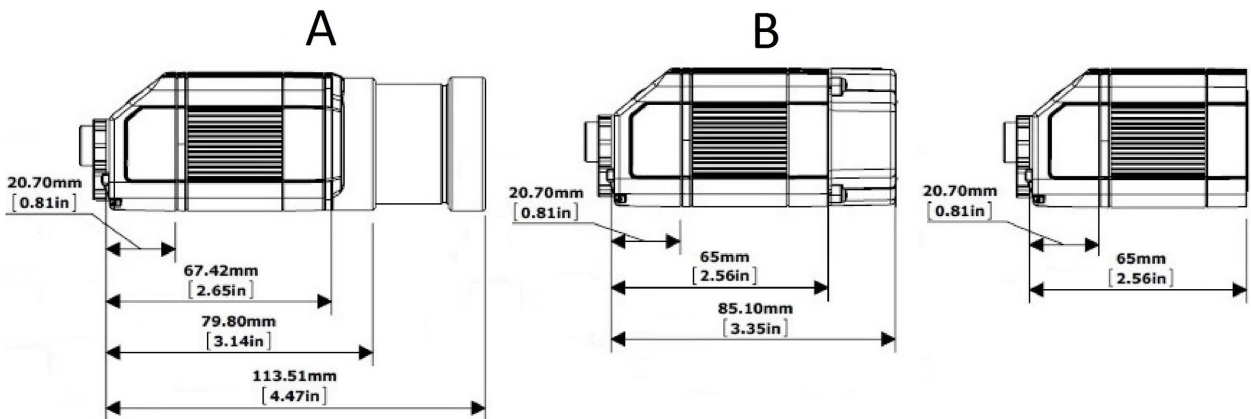


DataMan 360 Series Reader Dimensions

DataMan 360 dimensions without lens and with C-mount and S-mount lens options:



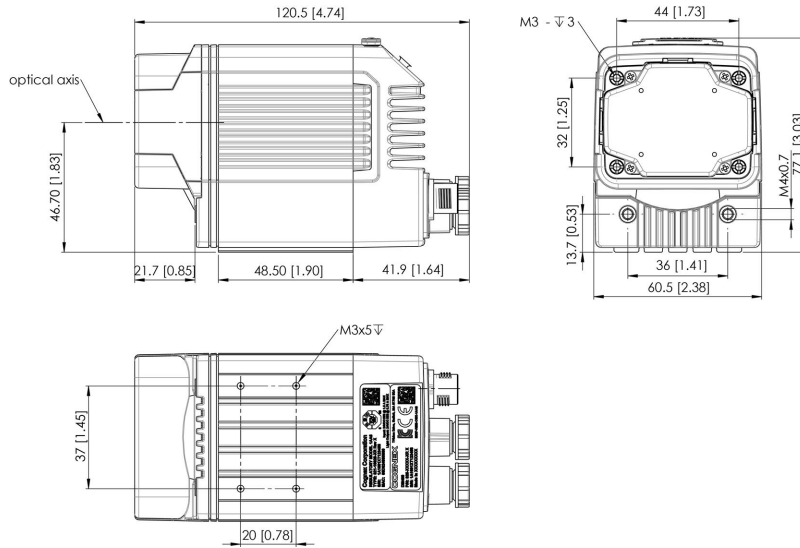
1	M3-5 (4x) mounting holes of the device
2	M3-6 (4x) mounting holes for external illumination
3	Illumination lights
4	Operating buttons



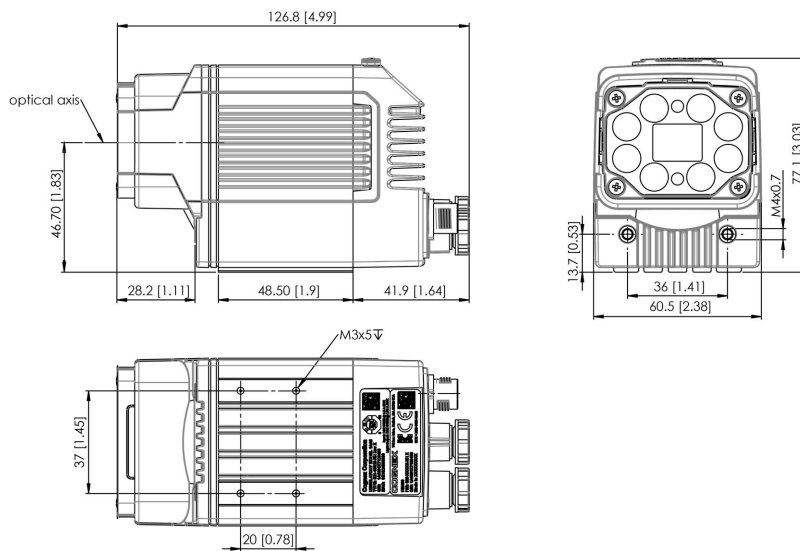
A	C-Mount Lens version
B	S-Mount (M12) Lens version

DataMan 470 Series Reader Dimensions

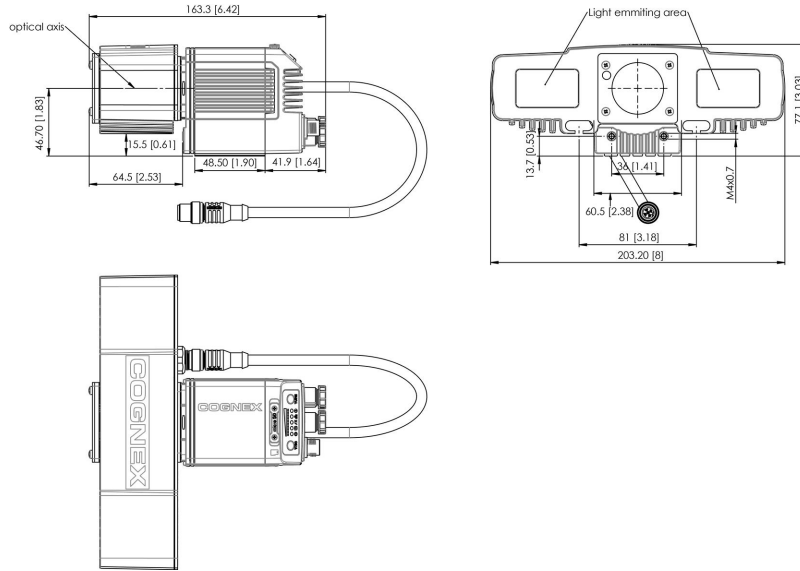
DataMan 470 reader with LED Cover



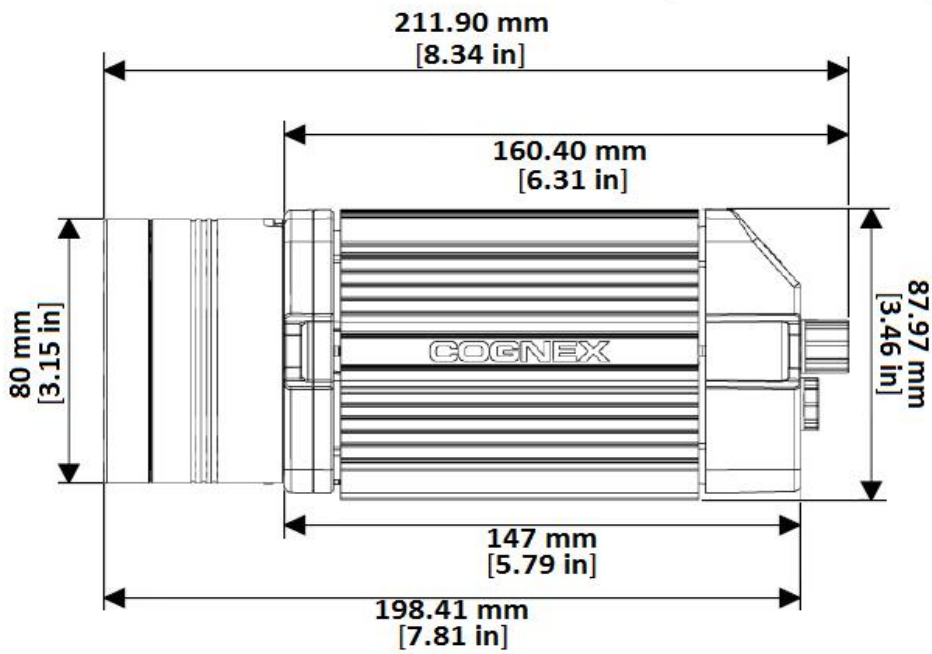
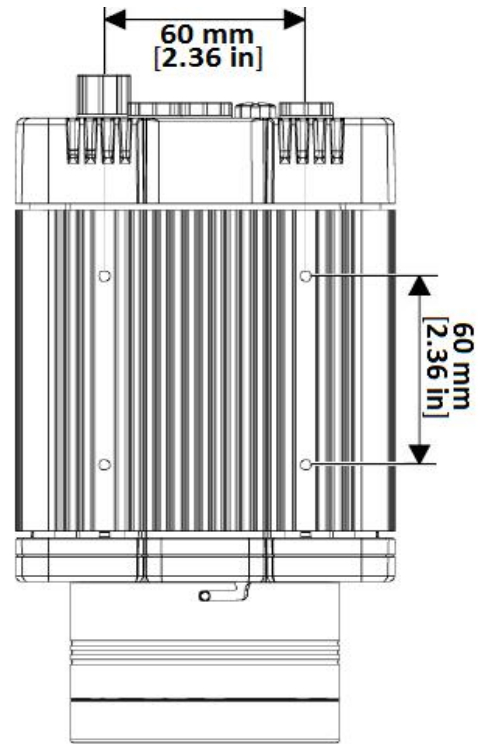
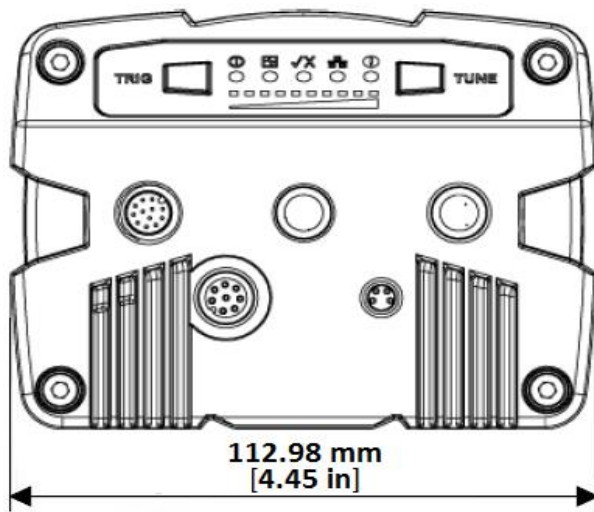
DataMan 470 reader with High-powered Integrated Light (HPIL)



DataMan 470 reader with High-power Illumination Accessory (HPIA)



DataMan 503 Reader Dimensions

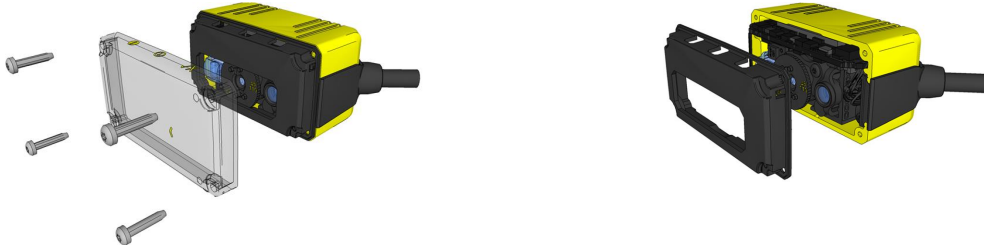


Service Procedures

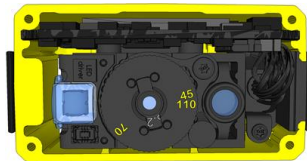
DataMan 50 Service Procedures

DataMan 50 can operate in one of three distance ranges. Perform the following steps to set the focus position:

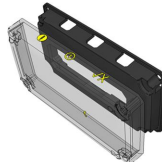
1. Remove the screws, the lens cover and the rubber part.



2. Set the focus position using a coin. Do not use a coin thicker than 2 mm. If no coin is available, use the edge of the back cover.



3. Make sure that the sealing and the sealing surface are clean before mounting.
4. Line up the holes with the icons and attach the rubber part to the front window.



5. Attach both to the housing and add the four screws.



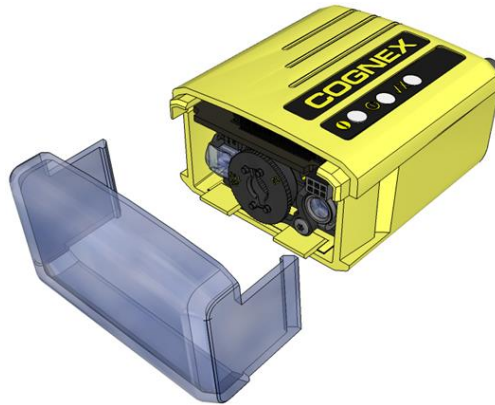
6. Tighten the screws in the order shown in the image below. The maximum torque for the cover screws is 8 N-cm (0.7 pound-inch).



DataMan 60 Service Procedures

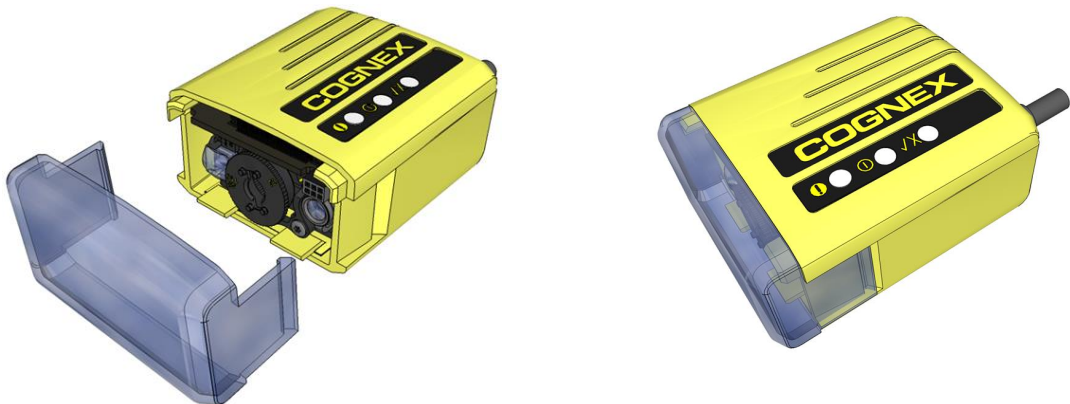
DataMan 60 can operate in one of three distance ranges. Perform the following steps to set the focus position:

1. Remove the lens cover.



2. Set the focus position to 45, 70, or 110: turn the lens cap clockwise (45->70->110) to focus to a larger distance; turn the lens cap counter-clockwise (110->70->45) to focus to a shorter distance.

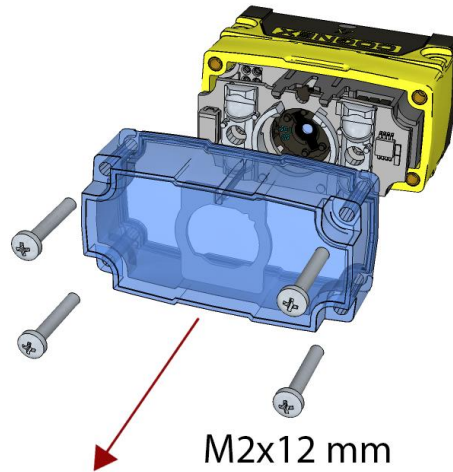
3. Reattach the front cover.



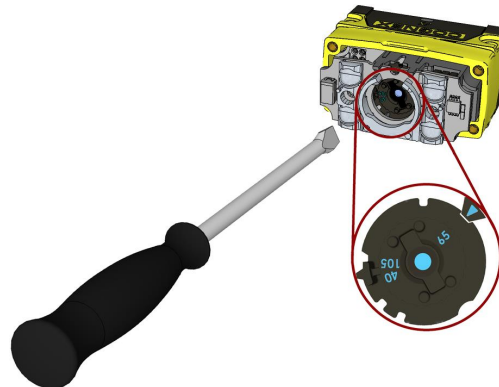
DataMan 70 Service Procedures

DataMan 70 can operate in one of three distance ranges. Follow the steps below to set the focus position.

1. Remove the screws and the front cover.

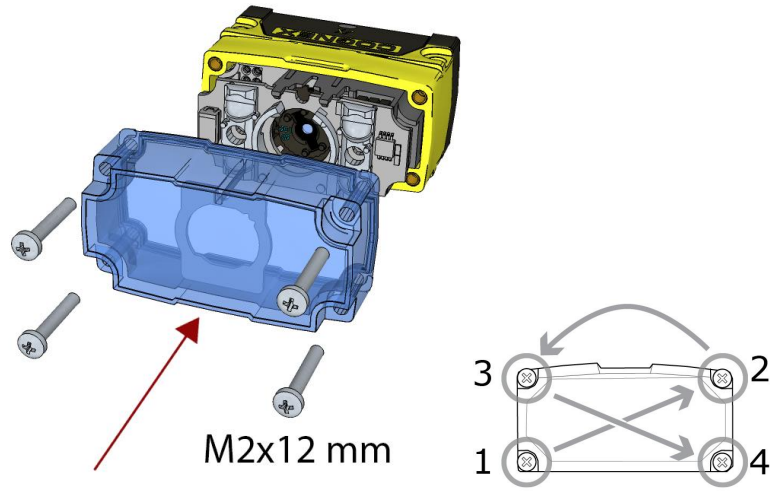


2. Using a flathead screwdriver, set the focus position from the front. Always turn clockwise to focus to a larger distance and counterclockwise to focus to a shorter distance.



Note: If an optical filter has been mounted, first disconnect the DataMan 70 reader from power and remove the illumination module with the filter before adjusting the focus.

3. Remount the front cover. Observing the tightening sequence below, tighten all four screws to 9 Ncm using a torque wrench.



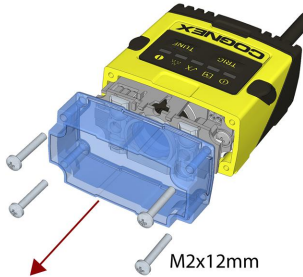
DataMan 150 and 260 Series Service Procedures

Setting the Focus Position of a DataMan 150 or DataMan 260 Reader

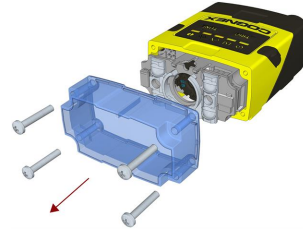
DataMan 150 and 260 can operate in one of three distance ranges. Follow the steps below to set the focus position.

1. Remove the screws and the front cover.

DataMan 150

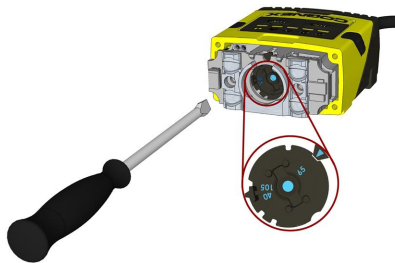


DataMan 260

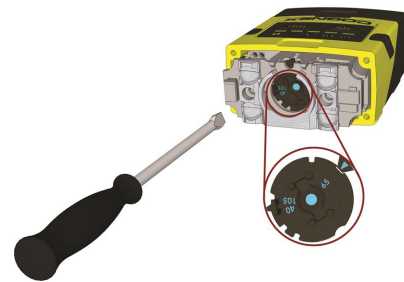


2. Using a flathead screwdriver, set the focus position from the front. Always turn clockwise to focus to a larger distance and counterclockwise to focus to a shorter distance.

DataMan 150



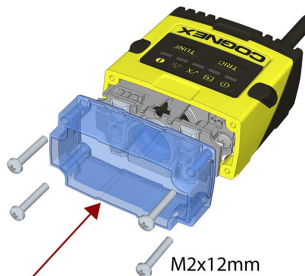
DataMan 260



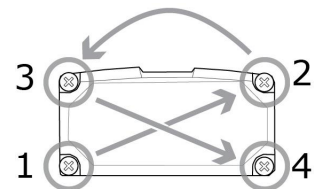
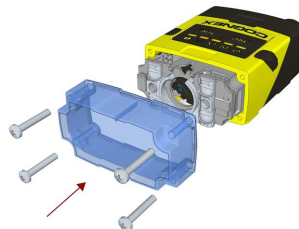
Note: If an optical filter has been mounted, first disconnect the DataMan 150 or 260 reader from power and remove the illumination module with the filter before adjusting the focus.

3. Remount the front cover. Observing the tightening sequence below, tighten all four screws to 9 Ncm using a torque wrench.

DataMan 150



DataMan 260



Note: If you use an optical filter and the illumination was removed, remount the illumination module first and then remount the front cover.

Note: The rib in the front cover must be oriented to the top side.

Changing from a 6.2 mm Lens to a 16 mm Lens on a DataMan 150 or DataMan 260 Reader

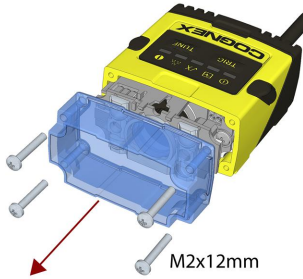
Perform the following steps to change a 6.2 mm lens to a 16 mm lens on your DataMan 150 or 260 reader.

Note: Disconnect the DataMan 150 or 260 reader from power before changing lenses.

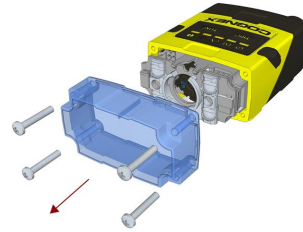
WARNING: This modification must be made in a dust-free and ESD safe area.

1. Remove the front cover: unscrew the four screws and take off the LED cover.

DataMan 150



DataMan 260

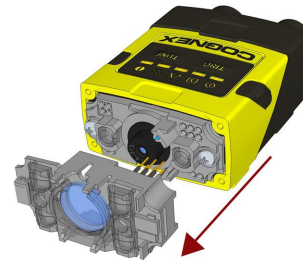


2. Remove the illumination module.

DataMan 150



DataMan 260



3. Unscrew the two Phillips head screws and remove the 6.2 mm lens mount.

DataMan 150

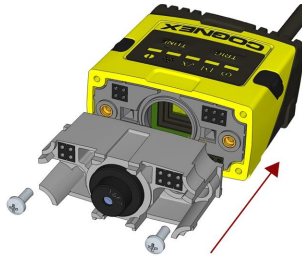


DataMan 260

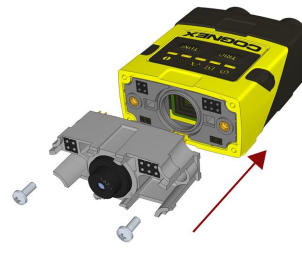


- Attach the 16 mm lens mount.

DataMan 150



DataMan 260

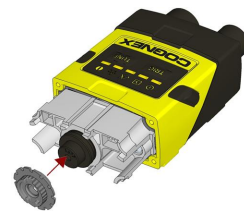


- Fasten the two Phillips head screws to 0.06 Nm using a torque wrench.
- In the case of a manual focus lens, press the 16 mm lens cap onto the lens. The lens has 12 cutouts so it can be locked in steps of 30 degrees.

DataMan 150



DataMan 260

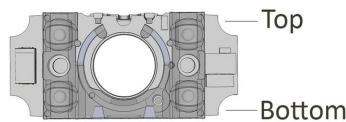
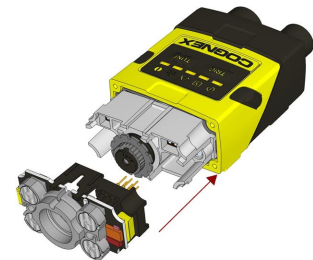


- Attach the illumination board.

DataMan 150



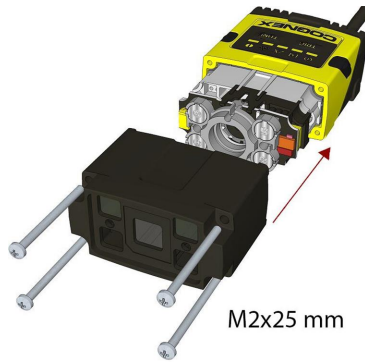
DataMan 260



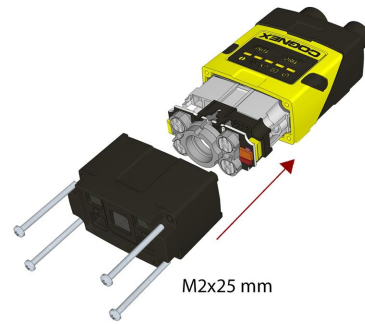
Note: Take care to attach the illumination with the right orientation.

8. Attach the extended front cover. Observing the tightening sequence below, tighten all four screws to 9 Ncm using a torque wrench.

DataMan 150



DataMan 260



Note: The rib in the front cover must be oriented to the top side.

DataMan 300 and 360 Series Service Procedures

Replacing a 10.3 mm Lens

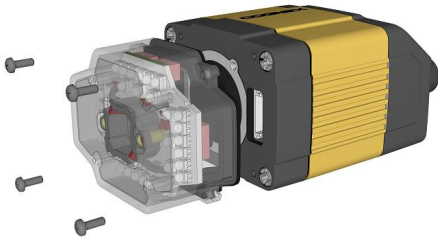
To remove and replace a 10.3 mm lens of a DataMan 300 or 360 series reader, perform the following steps:

WARNING: Disconnect the DataMan reader from power before continuing.

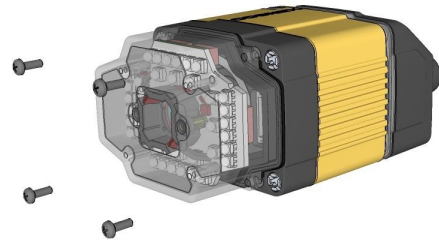
CAUTION: Do not leave the image sensor exposed to the environment.

1. Remove and retain the four screws at the corners of the front cover.

DataMan 300

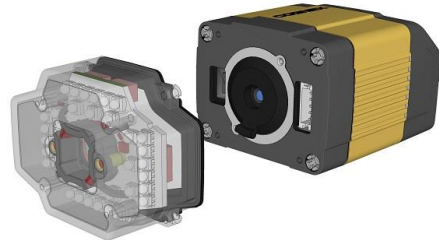
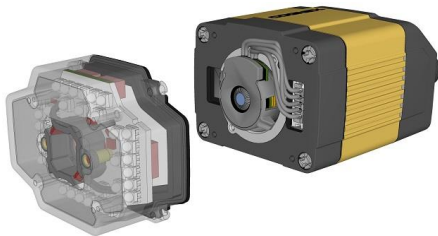


DataMan 360

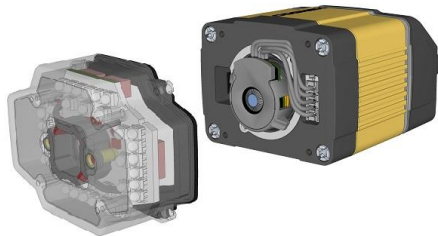


2. Remove the front cover. The first image shows a reader with a liquid lens attached to the 10.3 mm lens. The second image shows a reader with a 10.3 mm lens only.

DataMan 300



DataMan 360



3. If you have a liquid lens module attached to your 10.3 mm lens, carefully disconnect the liquid lens module cable. If you only have a 10.3 mm lens inserted, jump to step 5 of this procedure.

WARNING: Do not pinch or pull the cable.

DataMan 300



DataMan 360



4. Loosen the lens locking ring and withdraw the module.

DataMan 300



DataMan 360

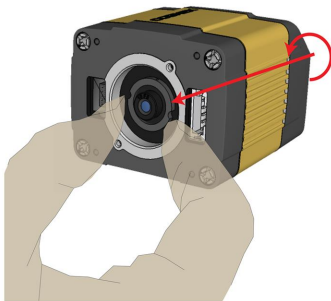


When reinstalling the module, observe the following precautions:

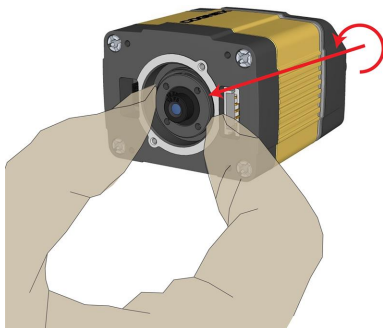
- Make sure that the liquid lens cable is not pinched, pulled or crimped during installation.

5. Loosen the locking ring and withdraw the lens.

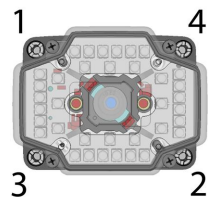
DataMan 300



DataMan 360



When reattaching the front cover, tighten the screws in the sequence shown below and observe a torque limit of 9 N-cm (0.8 Lb-in).



Replacing a 16 mm (SHD) Lens

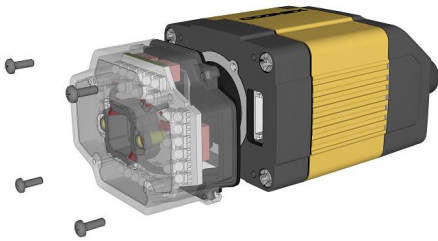
To remove and replace a 16 mm (SHD) lens of a DataMan 300 or 360 series reader, perform the following steps:

⚠ WARNING: Disconnect the DataMan reader from power before continuing.

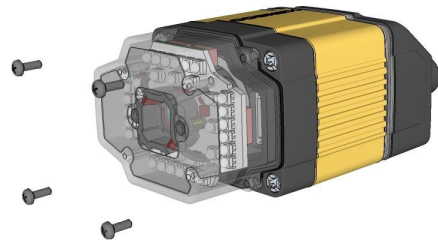
⚠ CAUTION: Do not leave the image sensor exposed to the environment.

1. Remove and retain the four screws at the corners of the front cover.

DataMan 300



DataMan 360



2. Remove the front cover.

DataMan 300



DataMan 360



3. Remove the rubber lens-locking cone from the lens.

DataMan 300



DataMan 360



4. Remove the lens.

DataMan 300



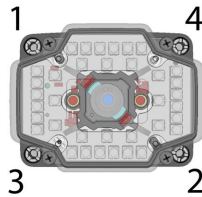
DataMan 360



When replacing the lens, observe the following precaution:

- Avoid rotating the lens when you insert it. Press the rubber lens-locking cone into the reader until it snaps into place inside the C-mount threads and around the nose of the 16 mm lens.

When reattaching the front cover, tighten the screws in the sequence shown and observe a torque limit of 9 N-cm (0.8 Lb-In).



Installing a 19 mm Liquid Lens

The possible hardware configurations using a 19 mm liquid lens with a DataMan 300 or 360 series reader are the following:

- DM3xx-system + DM300-LENS-19LL + DM300-CMCOV-SH
- DM3xx-system + DM300-LENS-19LL + DM300-EXT + DM300-HPIL-RE
- DM3xx-system + DM300-LENS-19LL + DM300-EXT + DM300-HPIL-RE-P

To install a 19 mm liquid lens of a DataMan 300 or 360 series reader, perform the following steps:

⚠ WARNING: Disconnect the DataMan reader from power before continuing.

⚠ CAUTION: Do not leave the image sensor exposed to the environment.

With a DM300-CMCOV-SH Cover

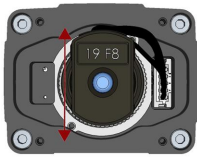
1. First, attach the liquid lens cable to the unit.
2. Fix the lens by screwing in the knurled ring. Do not rotate the lens itself. Ensure that the cable and text are at the 12 o'clock position, as shown below.

DataMan 300

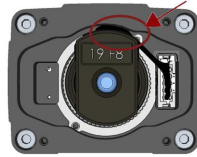


DataMan 360





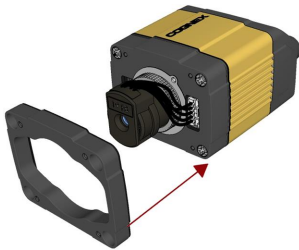
3. Push the wires into the space behind the lens.



4. Place the spacer over the front of the unit.

DataMan 300

DataMan 360

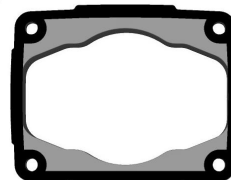


Ensure that the gasket side is toward and lines up with the unit.

Front

Top

Back
Gasket
side



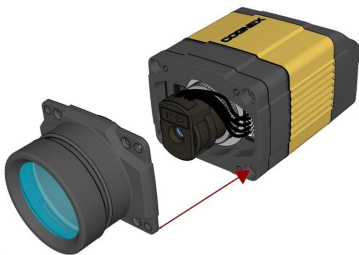
Bottom

5. Blow out the cover with compressed air.

6. Place the cover on the unit.

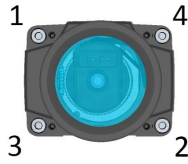
DataMan 300

DataMan 360



Note: Ensure that the top of each piece of the assembly lines up and the gasket does not stick out.

- Screw in the four 196-1156R screws using a size 2.5 metric torque driver. Tighten the screws in the sequence shown and observe a torque limit of 0.4 N-m.



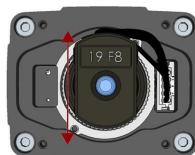
With a DM300-HPIL-RE or DM300-HPIL-RE-P Cover

- First, attach the liquid lens cable to the unit.
- Fix the lens by screwing in the knurled ring. Do not rotate the lens itself. Ensure that the cable and text are at the 12 o'clock position, as shown below.

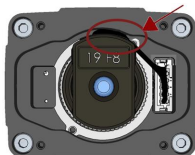
DataMan 300



DataMan 360



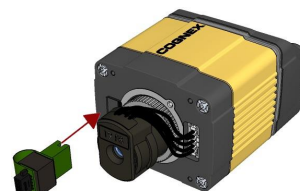
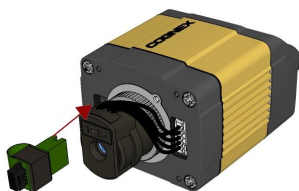
- Push the wires into the space behind the lens.



- Install the electrical extender.

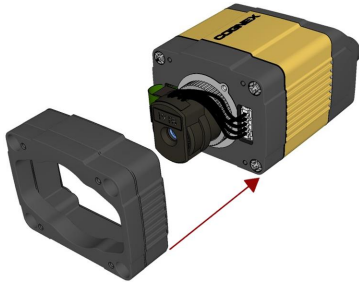
DataMan 300

DataMan 360

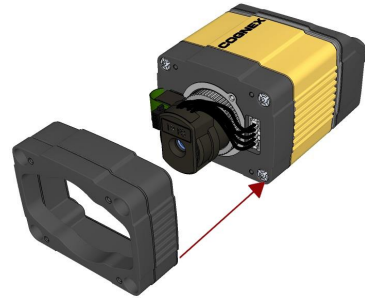


5. Place the spacer over the front of the unit.

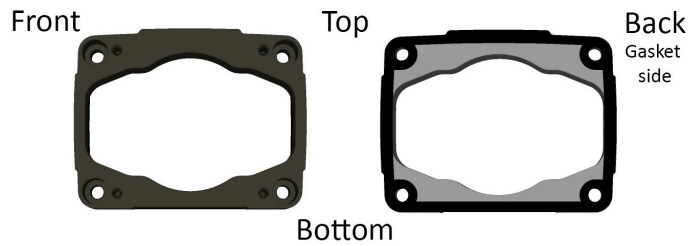
DataMan 300



DataMan 360

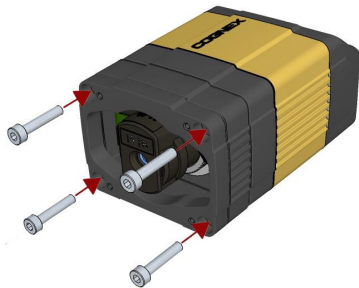


Ensure that the gasket side is toward and lines up with the unit.

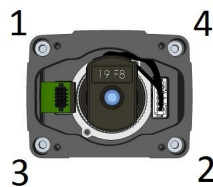
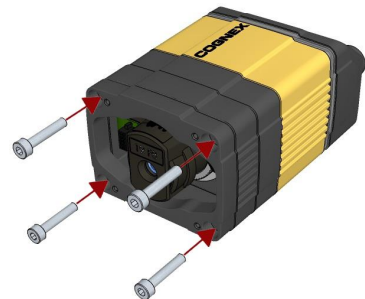


6. Screw in the four 196-1156R screws using a size 2.5 metric torque driver. Tighten the screws in the sequence shown and observe a torque limit of 0.4 N-m.

DataMan 300



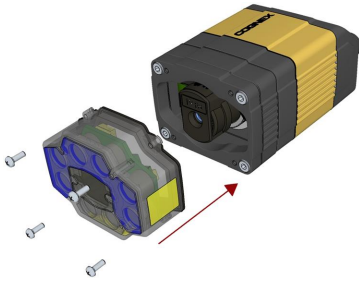
DataMan 360



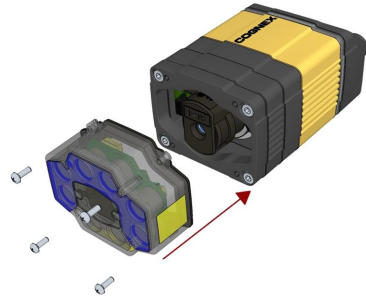
Note: Ensure that the top of each piece of the assembly lines up and the gasket does not stick out.

7. Place the cover on the unit.

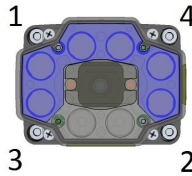
DataMan 300



DataMan 360



8. Screw in the four screws. Tighten the screws in the sequence shown below and observe a torque limit of 9 N-cm.



Note: The protection foil must be removed from both light (outer) and lens (center) foils of the polarized cover.

Replacing a C-Mount Lens

To remove and replace a C-Mount lens of a DataMan 300 or 360 series reader, perform the following steps:

WARNING: Disconnect the DataMan reader from power before continuing.

CAUTION: Do not leave the image sensor exposed to the environment.

1. Remove the front cover.

DataMan 300



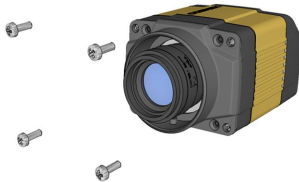
DataMan 360



Note: Do not unscrew the front-most part of the nose of the cover to avoid risking the glass lens falling out.

2. Remove the screws from the C-mount cover base.

DataMan 300



DataMan 360



3. Remove the C-Mount cover base.

DataMan 300



DataMan 360



4. Remove the lens.

DataMan 300



DataMan 360



When replacing the lens, observe the following precaution:

- When you attach the front cover, align the peg on the reader and the slot on the cover so that the cover locks in place.

When reattaching the C-mount cover base, tighten the screws in the sequence shown and observe a torque limit of 9 N-cm (0.8 Lb-In).



DataMan 470 Series Service Procedures

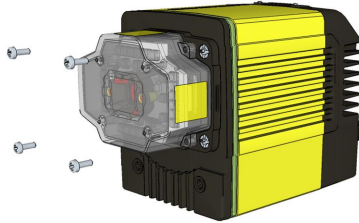
Replacing 10.3 mm Lens

To remove and replace a 10.3 mm lens of a DataMan 470 series reader, perform the following steps:

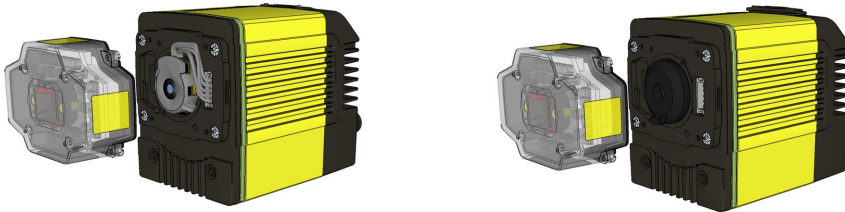
⚠ WARNING: Disconnect the DataMan reader from power before continuing.

⚠ CAUTION: Do not leave the image sensor exposed to the environment.

1. Remove and retain the four screws at the corners of the front cover.



2. Remove the front cover. The first image shows a reader with a liquid lens attached to the 10.3 mm lens. The second image shows a reader with a 10.3 mm lens only.

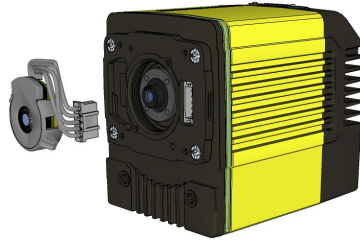


3. If you have a liquid lens module attached to your 10.3 mm lens, carefully disconnect the liquid lens module cable. If you only have a 10.3 mm lens inserted, jump to step 5 of this procedure.

⚠ WARNING: Do not pinch or pull the cable.



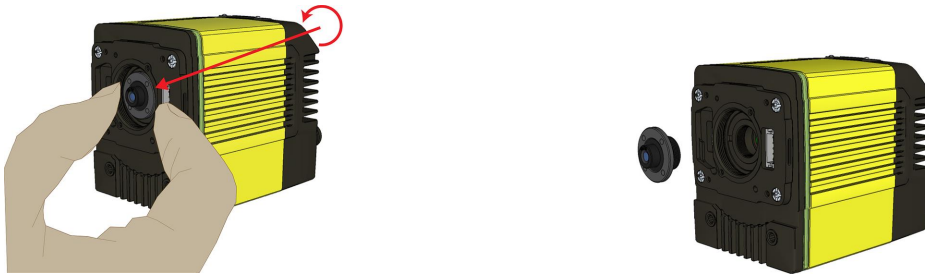
- Loosen the lens locking ring and withdraw the module.



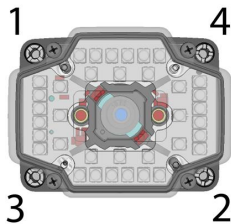
When reinstalling the module, observe the following precautions:

- Make sure that the liquid lens cable is not pinched, pulled or crimped during installation.

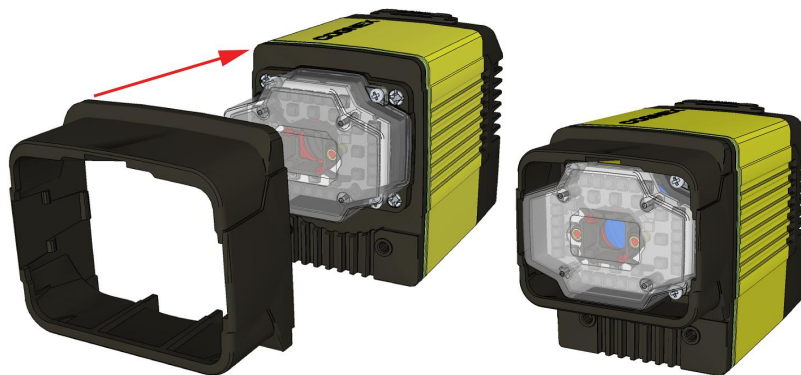
- Loosen the locking ring and withdraw the lens.



When reattaching the front cover, tighten the screws in the sequence shown below and observe a torque limit of 9 N-cm (0.8 Lb-In).



- Snap the flange in place.



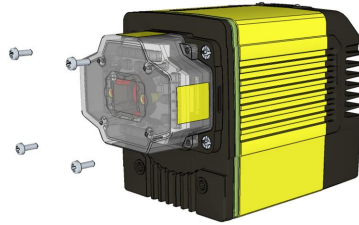
Replacing a 16 mm (SHD) Lens

To remove and replace a 16 mm (SHD) lens of a DataMan 470 series reader, perform the following steps:

⚠ WARNING: Disconnect the DataMan reader from power before continuing.

⚠ CAUTION: Do not leave the image sensor exposed to the environment.

1. Remove and retain the four screws at the corners of the front cover.



2. Remove the front cover.



3. Remove the rubber lens-locking cone from the lens.



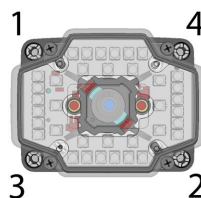
4. Remove the lens.



When replacing the lens, observe the following precaution:

- Avoid rotating the lens when you insert it. Press the rubber lens-locking cone into the reader until it snaps into place inside the C-mount threads and around the nose of the 16 mm lens.

When reattaching the front cover, tighten the screws in the sequence shown and observe a torque limit of 9 N-cm (0.8 Lb-In).



Replacing a C-Mount Lens

To remove and replace a C-Mount lens of a DataMan 470 series reader, perform the following steps:

⚠ WARNING: Disconnect the DataMan reader from power before continuing.

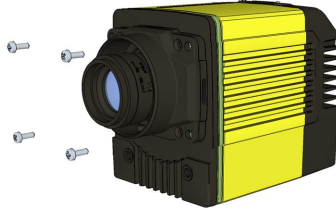
⚠ CAUTION: Do not leave the image sensor exposed to the environment.

1. Remove the front cover.



i Note: Do not unscrew the front-most part of the nose of the cover to avoid risking the glass lens falling out.

2. Remove the screws from the C-mount cover base.



3. Remove the C-Mount cover base.



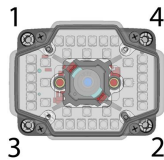
4. Remove the lens.



When replacing the lens, observe the following precaution:

- When you attach the front cover, align the peg on the reader and the slot on the cover so that the cover locks in place.

When reattaching the C-mount cover base, tighten the screws in the sequence shown and observe a torque limit of 9 N-cm (0.8 Lb-In).




DataMan 503 Service Procedures

Replacing a C, S, or CS-Mount Lens

To remove and replace a CS-Mount lens of a DataMan 503 reader, perform the following steps:

 **WARNING:** Disconnect the DataMan reader from power before continuing.

 **CAUTION:** Do not leave the image sensor exposed to the environment.

1. Remove the front cover.
2. Unscrew the lens.
3. Screw in the new lens.
4. Reattach the cover.

When replacing the lens, observe the following precaution:

- When reattaching the front cover, make sure that the peg on the reader and the slot on the cover are properly aligned.

Mounting Requirements

The DataMan 150, 260, 300, 360, 470, and 503 series readers provide four threaded attachment points, located as shown in the previous sections:

- [DataMan 70 Series Reader Dimensions](#)
- [DataMan 150 Series Reader Dimensions](#)
- [DataMan 260 Series Reader Dimensions](#)
- [DataMan 300 Series Reader Dimensions](#)
- [DataMan 360 Series Reader Dimensions](#)
- [DataMan 474 Reader Dimensions](#)
- [DataMan 503 Reader Dimensions](#)

The attachment points have the following characteristics:

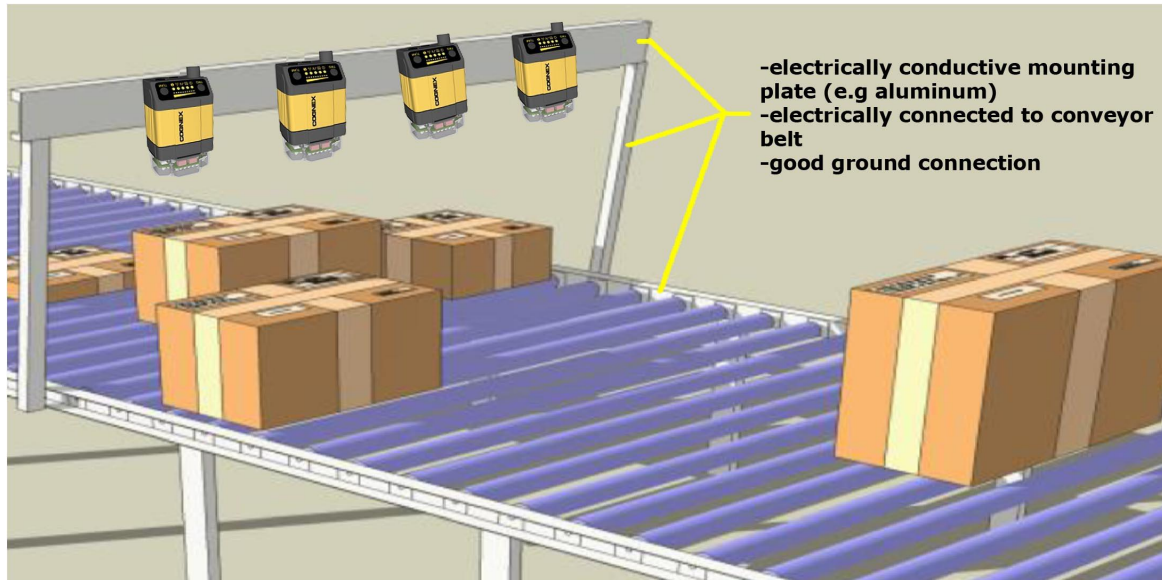
- M3 thread
- 5 mm thread depth
- 9 N-cm (0.8 Lb-In) maximum torque



CAUTION: Use all four attachment points when mounting your DataMan reader.

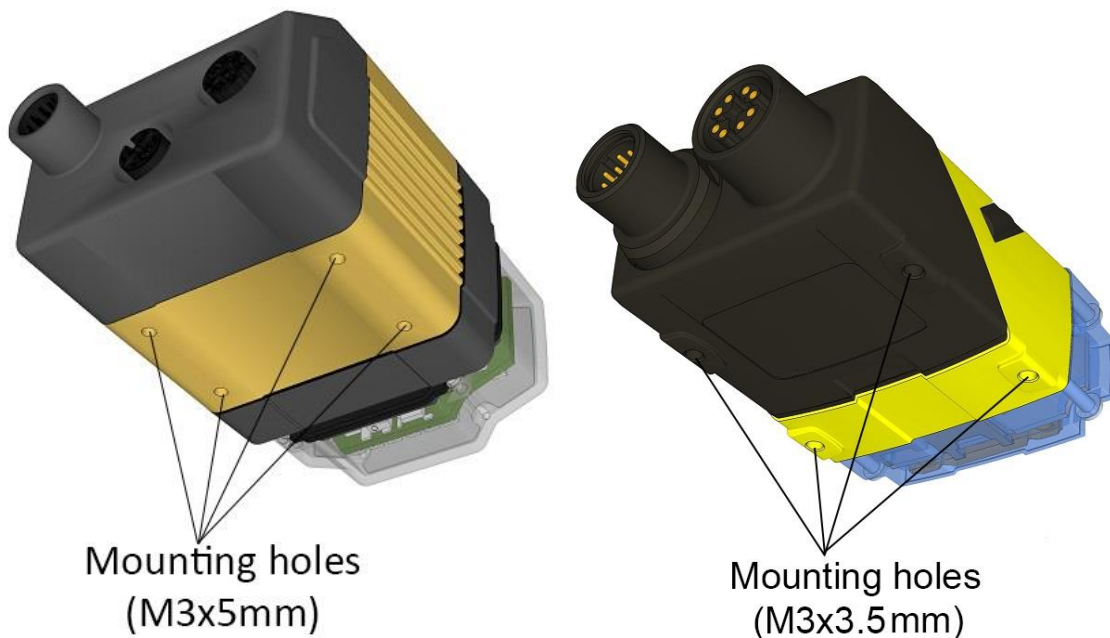
Grounding

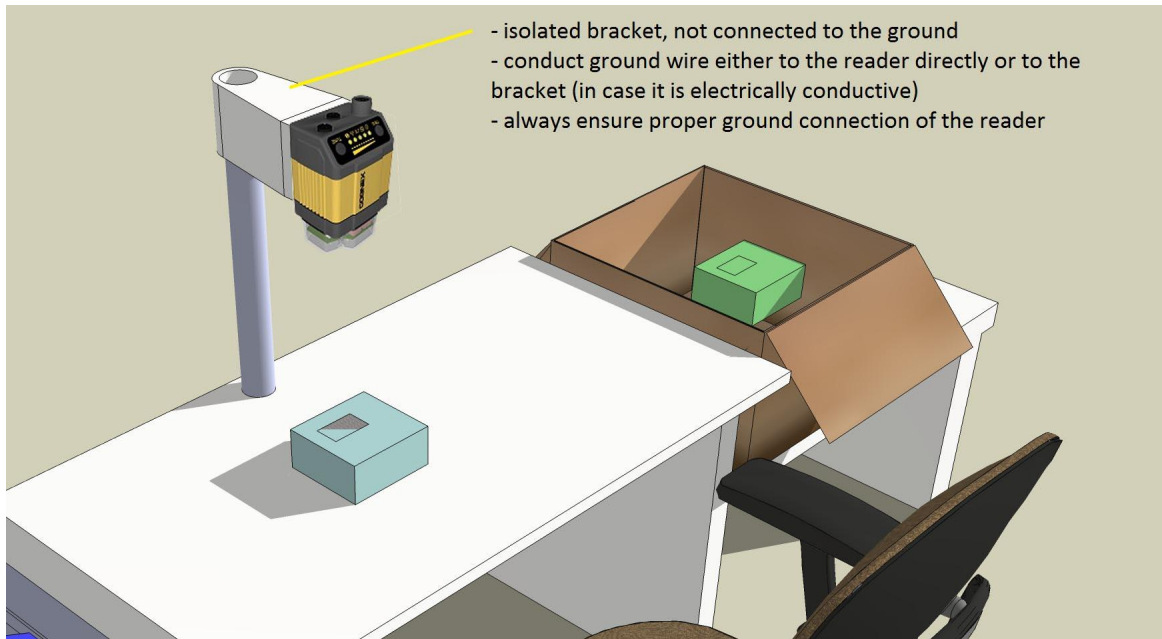
If you want to mount a DataMan fixed mount reader to a bracket or a plate, make sure that those parts make a proper connection to ground (PE). Cognex recommends that you use lock-washers between the mounting screws and the bracket to ensure permanent ground conductivity.



If you want to mount your reader to an electrically isolated bracket, the reader needs to be individually grounded.

For this purpose, Cognex recommends that you connect at least one of the 4 mounting holes on the bottom of the device with a minimum 22 gauge grounding wire to system ground (PE). Use lock-washers to ensure a permanent and robust connection.





Thermal and Environmental Requirements

See the following table for thermal and environmental requirements:

Operating temperature	0 °C — 40 °C (32 °F — 104 °F)
Storage temperature	-10 °C — 60 °C (-14 °F — 140 °F)
Maximum humidity	95% (non-condensing)

DataMan 50, 150, 260, 300, 360, 470, and 503 IP Rating

The DataMan 50, 503, and the DataMan 150, 260, 300, 360, and 470 series readers provide IP65 protection against dust and water intrusion. In order to meet this rating, the following conditions must be met:

- All connectors must have cables connected or be sealed with protective plugs.
- The reader front cover and lens cover must be correctly installed.
- The requirements for temperature, vibration, and shock must be met.

DataMan 60 and 70 IP Rating

The DataMan 60 and 70 readers provide IP40 protection against dust and water intrusion. In order to meet this rating, the following conditions must be met:

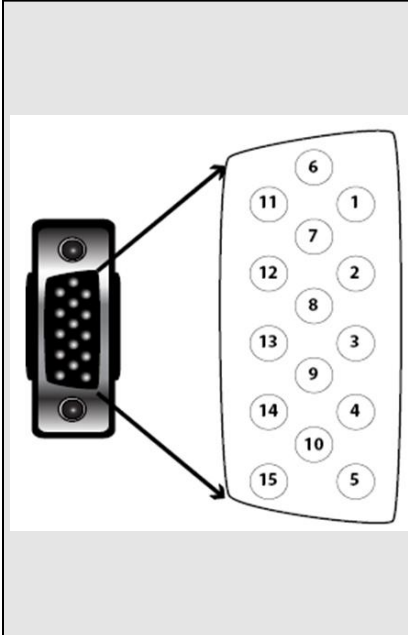
- All connectors must have cables connected or be sealed with protective plugs.
- The reader front cover and lens cover must be correctly installed.
- The requirements for temperature, vibration, and shock must be met.

Electrical Information

DataMan 50 and 60 Discrete I/O Connector

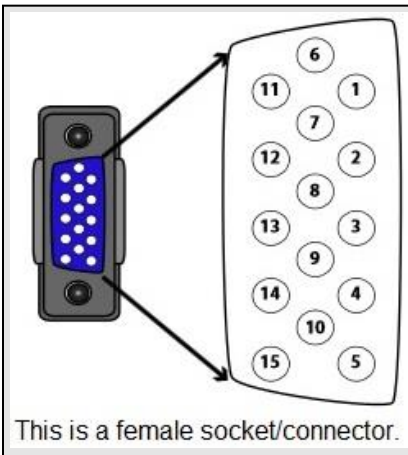
The I/O cable provides access to trigger and high-speed outputs. Unused wires can be clipped short or tied back using a tie made of non-conductive material. For RS-232, use the Power Supply return path for ground.

Note: GND (Pin 4) is connected to the reader housing, cable shield, and DB15 shell.

	PIN	Color	Signal
	1	Brown	Reserved
	2	Green	TxD
	3	Green/Black	RxD
	4	Red & Red/Black	GND
	5	Brown/White	DC+ (system power, 5-24 VDC)
	6	Blue	RTS
	7	Blue/White	Output-0
	8	White	Input-0
	9	White/Black	Input-1
	10	Light Blue	CTS
	11	Light Blue/Black	Output-1
	12	Light Blue/Yellow	Output-Common
	13	Light Blue/Green	Output-Strobe
	14	Yellow	Reserved
	15	Yellow/Black	Reserved

DataMan 50 and 60 USB & Flying Leads I/O Cable

You can connect a cable with USB & flying leads to the cable that is attached to the device. The following table shows the pinout and color description of the flying leads.

	PIN	Color	Signal
 <p>This is a female socket/connector.</p>	4	Black	GND
	7	Blue/White	Output-0
	8	White	Input-0
	9	White/Black	Input-1
	11	Light Blue/Black	Output-1
	12	Light Blue/Yellow	Output-Common
	13	Light Blue/Green	Output-Strobe

DataMan 50 and 60 RS-232 & Flying Leads I/O Cable

You can connect a cable with RS-232 & flying leads to the cable that is attached to the device. The following table shows the pinout and color description of the flying leads.

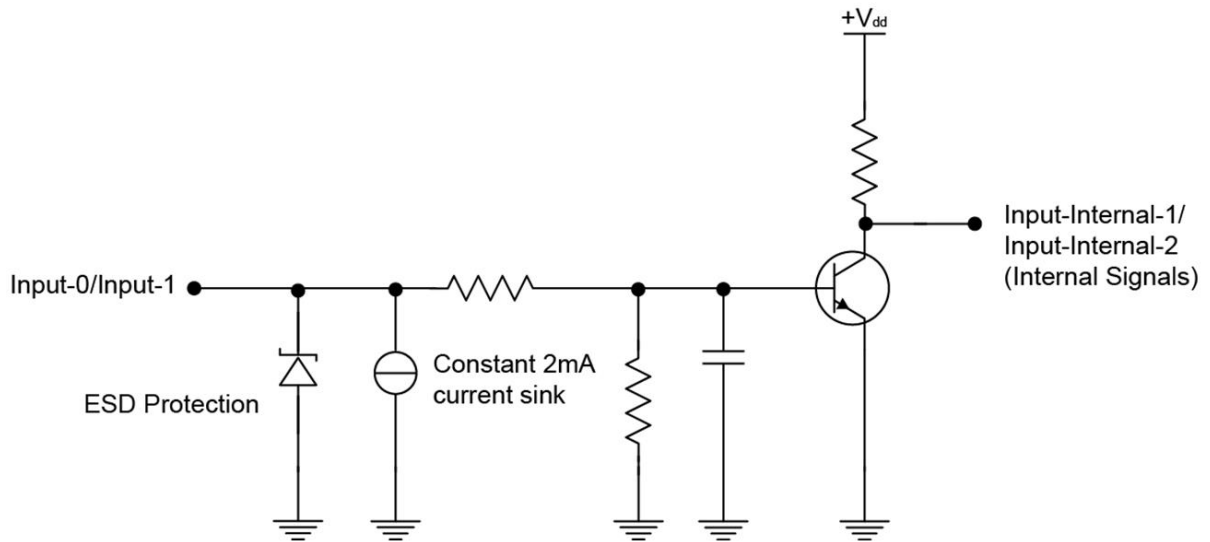


This is a female socket/connector.

PIN	Color	Signal
4	Black	GND
5	Brown/White	VDC
7	Blue/White	Output-0
8	White	Input-0
9	White/Black	Input-1
11	Light Blue/Black	Output-1
12	Light Blue/Yellow	Output-Common
13	Light Blue/Green	Output-Strobe

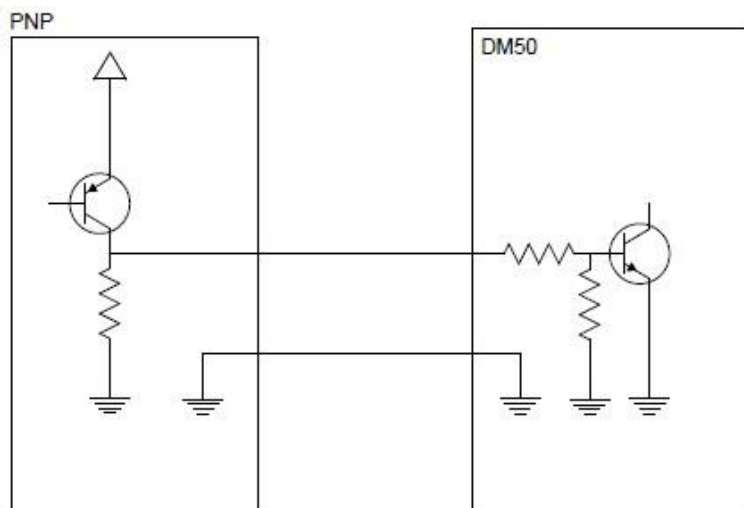
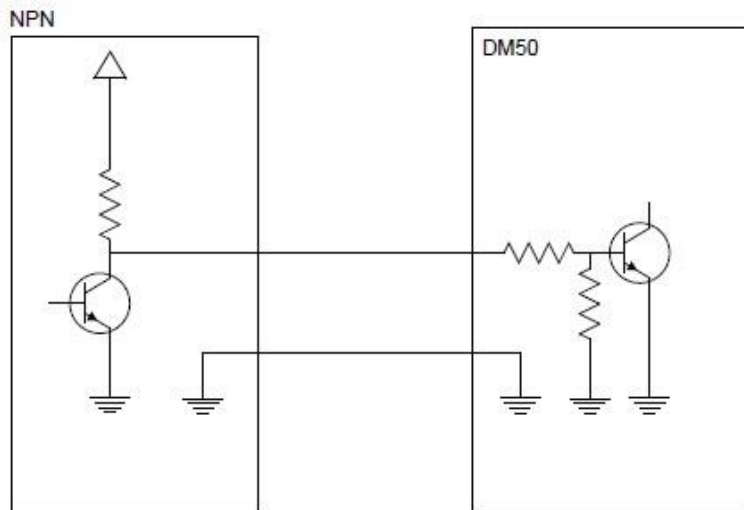
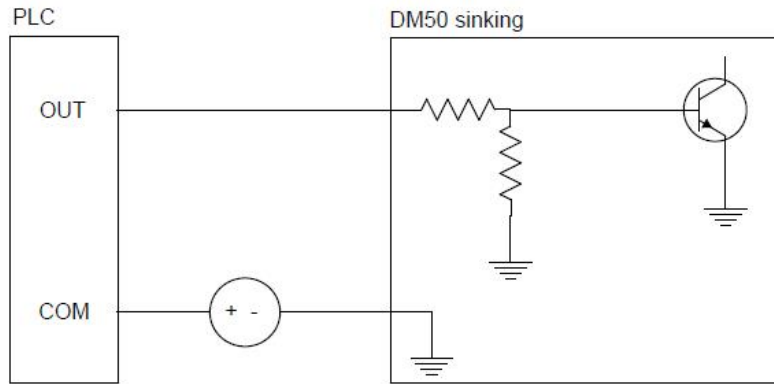
DataMan 50 and 60 Digital Input Lines

Inputs are not galvanic isolated but need to be referenced to ground.



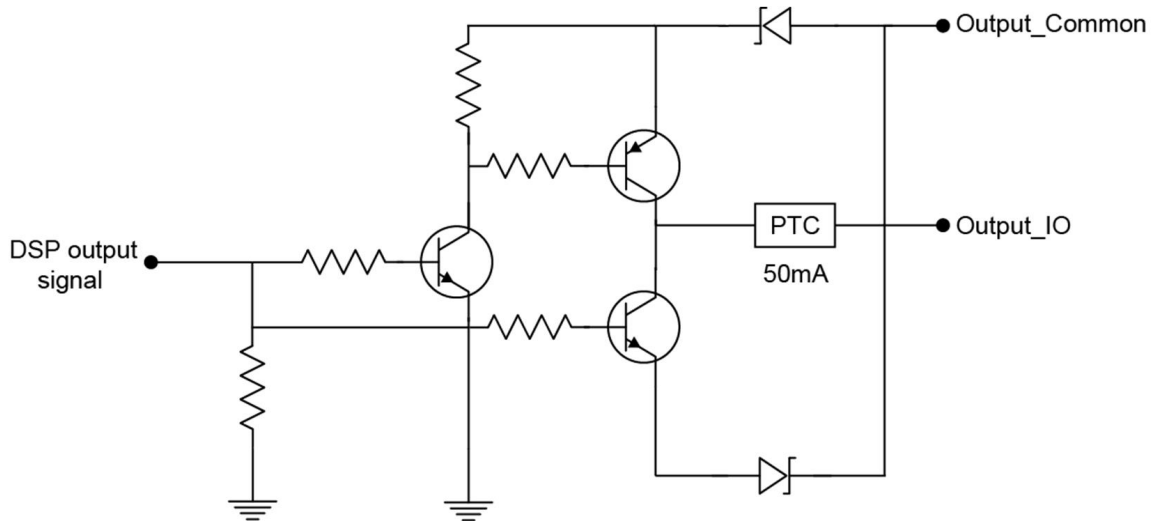
DataMan 50 and 60 External Wiring Examples: Digital Input Lines

The following figures show external wiring examples for digital input lines for the DataMan 50. The DataMan 60 has the same characteristics.



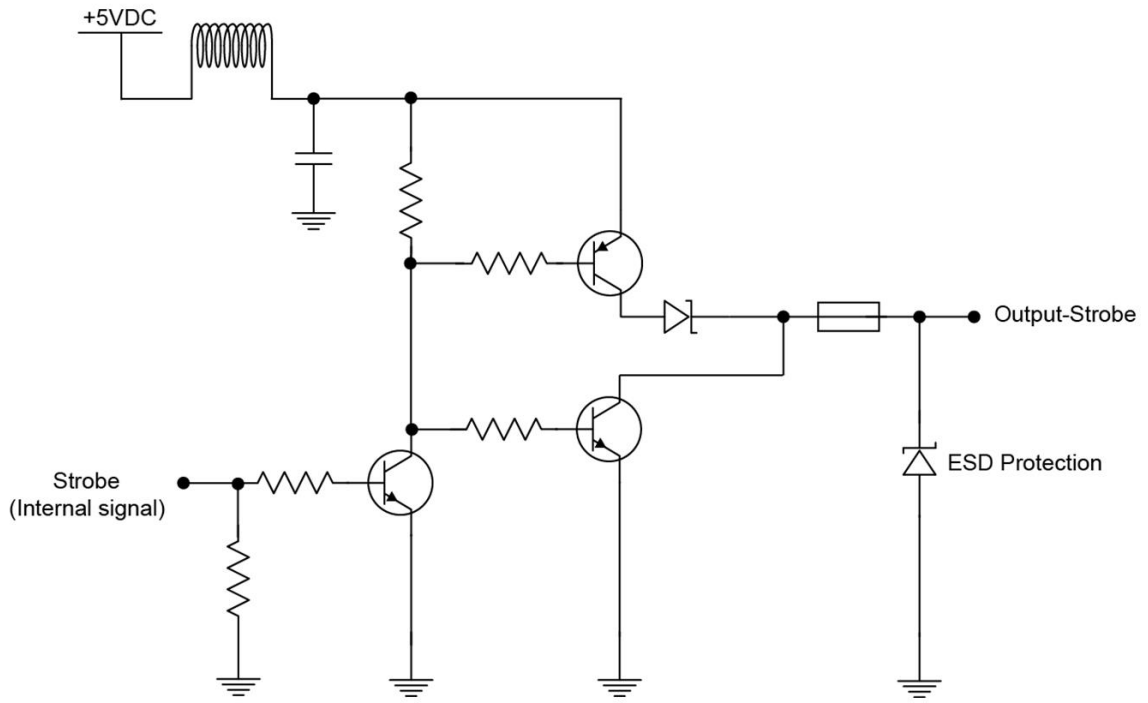
DataMan 50 and 60 Digital Output Lines

The digital outputs can be used as either NPN (pull-down) or PNP (pull-up) lines. For NPN lines, the external load should be connected between the output and the positive supply voltage (<26V). The outputs pull down to less than 3V when ON, which causes current to flow through the load. When the outputs are OFF, no current flows through the load. Outputs are not galvanic isolated but need to be referenced to ground.



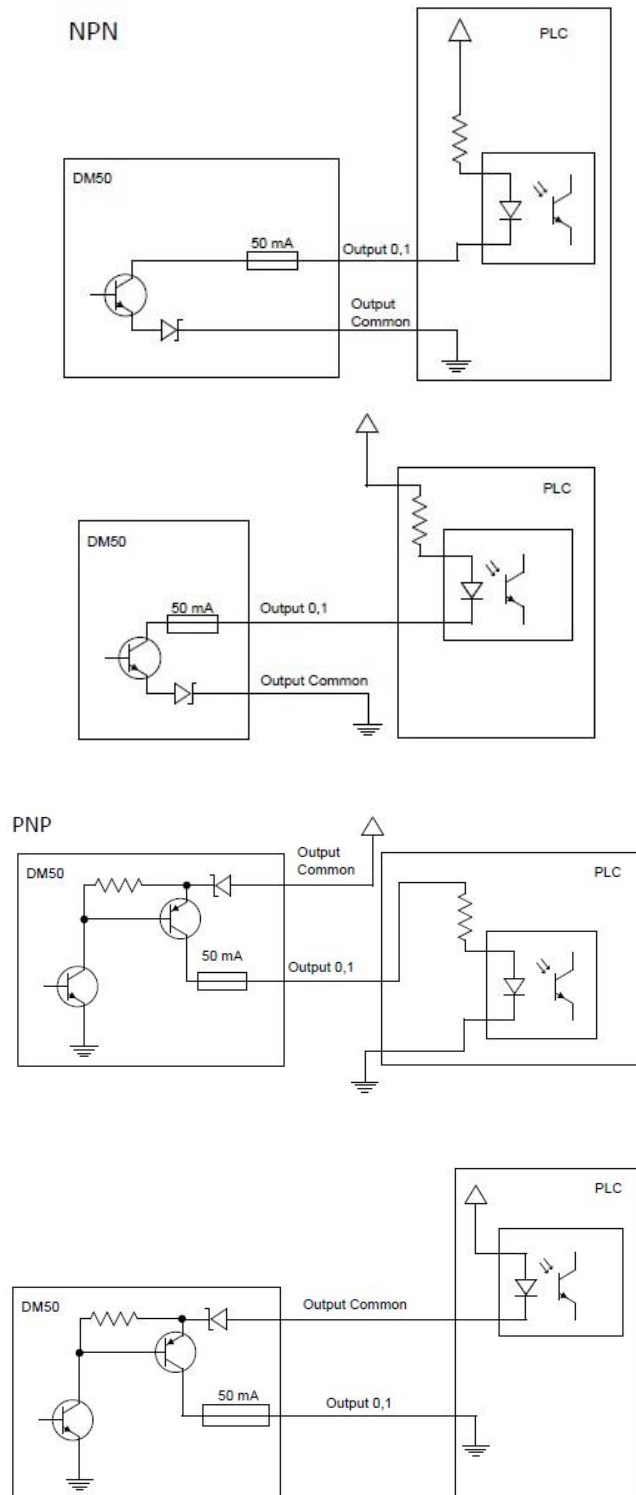
NPN (pull down) output type characteristics	
Applied voltage	26 VDC or less
Residual voltage	0.85V or less
Maximum sink current	25mA
Short-circuit current	100mA or less
Short-circuit protection	multifuse – 50mA

PNP (pull up) output type characteristics	
Applied voltage	26 VDC or less
Residual voltage	0.8V or less
Maximum sink current	25mA
Short-circuit current	50mA or less
Short-circuit protection	multifuse – 50mA



DataMan 50 and 60 External Wiring Examples: Digital Output Lines

The following figures show external wiring examples for digital input lines for the DataMan 50. The DataMan 60 has the same characteristics.

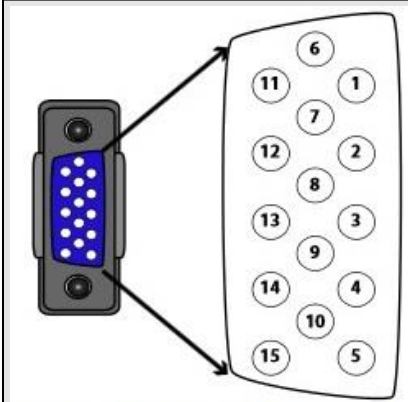


DataMan 70 and 150 Discrete I/O Connector

You can connect a cable with USB & flying leads (DM-USBIO-00) to the cable that is attached to the device. The following table shows the pinout and color description of the flying leads.

Note: GND (Pin 4) is connected to the reader housing, cable shield, and DB15 shell.

PIN	Color	Signal
4	Black	GND
7	Blue/White	Output-0
8	White	Input-0
9	White/Black	Input-1
11	Light Blue/Black	Output-1
12	Light Blue/Yellow	Output-Common
13	Light Blue/Green	Input-Common

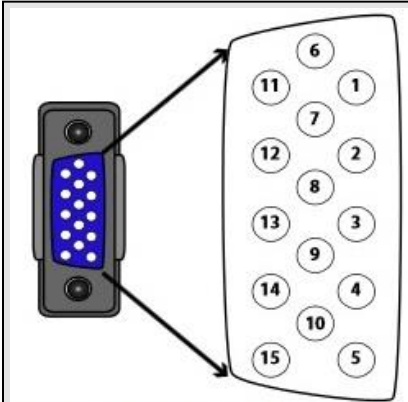


This is a female socket/connector.

DataMan 70 and 150 RS-232 Cable

You can connect a cable with RS-232 & flying leads (DM-RS232IO-00) to the cable that is attached to the device. The following table shows the pinout and color description of the flying leads.

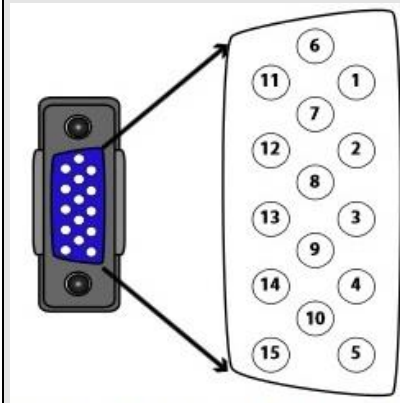
PIN	Color	Signal
4	Black	GND
5	Brown/White	VDC
7	Blue/White	Output-0
8	White	Input-0
9	White/Black	Input-1
11	Light Blue/Black	Output-1
12	Light Blue/Yellow	Output-Common
13	Light Blue/Green	Input-Common



This is a female socket/connector.

DataMan 150 Flying Leads Cable

You can connect a cable with flying leads (DM50-PWRIO-05) to the cable that is attached to the device. The following table shows the pinout and color description of the flying leads.



This is a female socket/connector.

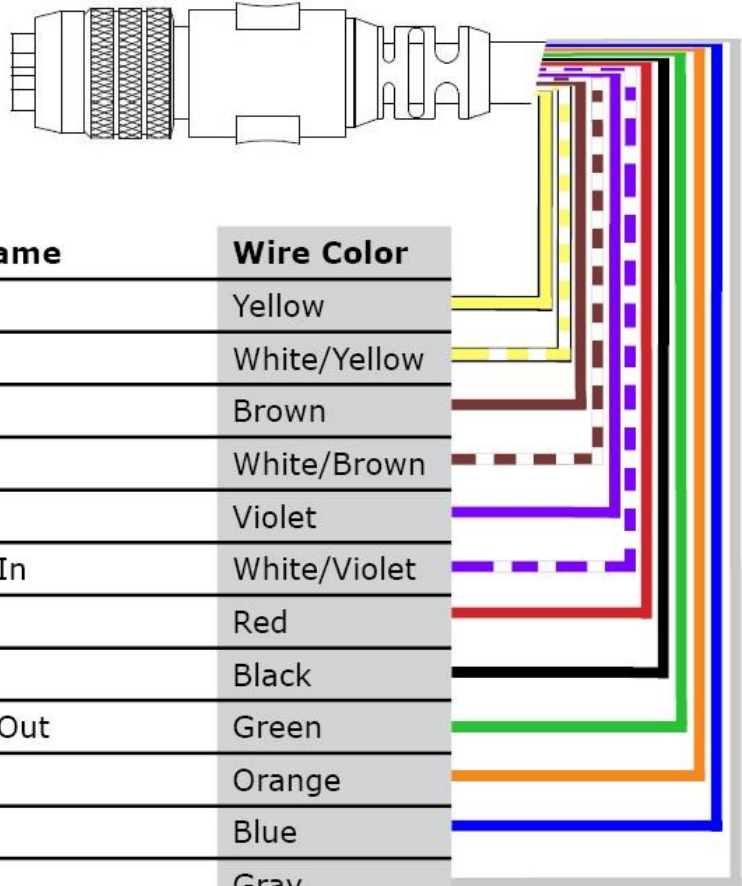
PIN	Color	Signal
2	Green	TxD
3	Green/Black	RxD
4	Red	GND
5	Brown/White	DC+ (system power, 5-24 VDC)
6	Blue	RTS
7	Blue/White	Output-0
8	White	Input-0
9	White/Black	Input-1
10	Light Blue	CTS
11	Light Blue/Black	Output-1
12	Light Blue/Yellow	Output-Common
13	Light Blue/Green	Input-Common

DataMan 260 Discrete I/O Connector

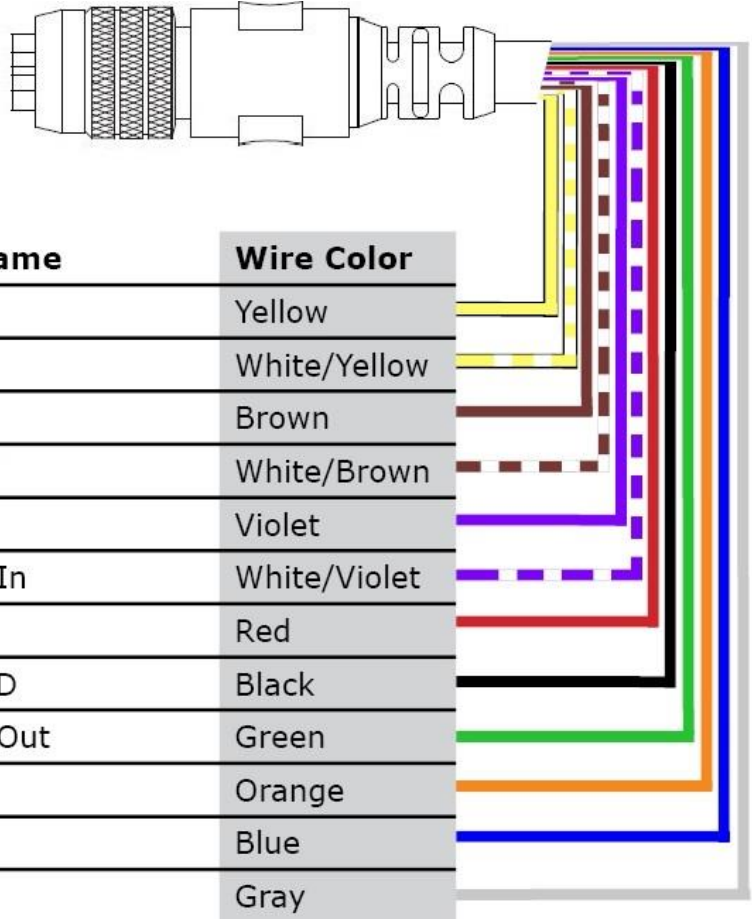
The I/O breakout cable (CCBL-05-01) provides access to trigger and high-speed outputs. You can clip unused wires short or use a tie made of non-conductive material to tie them back. For RS-232, use the Power Supply return path for ground.

The figure on the left shows the plug on the device.

Signal: 24 VDC Ethernet Model



Signal: PoE Ethernet Model

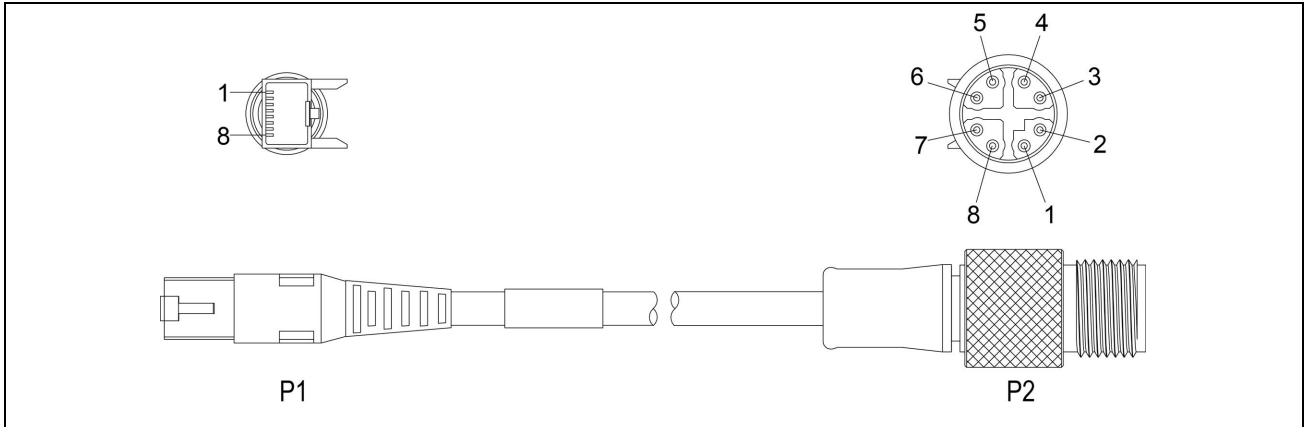


DataMan 260 Ethernet Cable

The Ethernet cable (CCB-84901-2001-05) provides Ethernet connection for network communications. The Ethernet cable can be connected to a single device or provide connections to multiple devices via a network switch or router.

Note: Cables are sold separately. The wiring for this cable follows standard industrial Ethernet M12 specifications. It differs from the 568B standard.

X-coded to RJ45 Cable



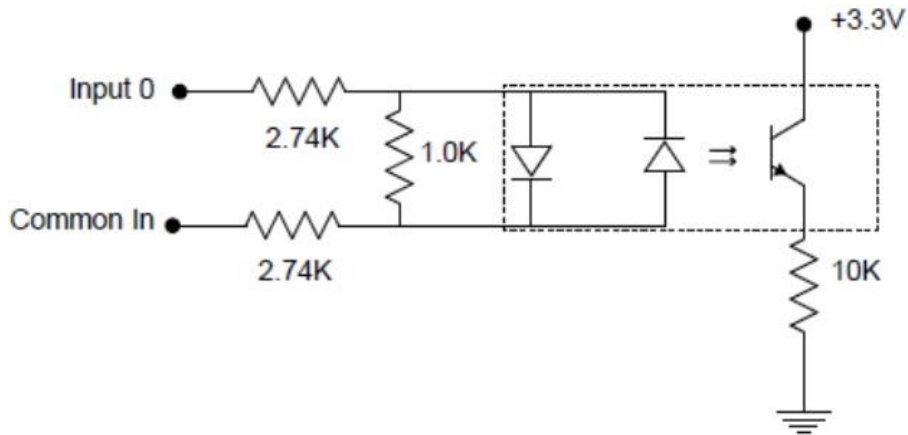
P1 Pin Number	Wire Color	Signal Name	P2 Pin Number
1	White/Orange	TxRx A +	1
2	Orange	TxRx A -	2
3	White/Green	TxRx B +	3
4	Blue	TxRx C +	8
5	White/Blue	TxRx C -	7
6	Green	TxRx B -	4
7	White/Brown	TxRx D +	5
8	Brown	TxRx D -	6

DataMan 260 Acquisition Triggering

The acquisition trigger input on the reader is opto-isolated.

To trigger from an NPN (pull-down) type photo-detector or PLC output, connect **In 0** to +24V and connect **Common In** to the output of the detector. When the output turns on, it pulls **Common In** down to 0V, turning the opto-coupler on.

To trigger from a PNP (pull-up) photo-detector or PLC output, connect **In 0** to the output of the detector and connect **Common In** to 0V. When the output turns on, it pulls **In 0** up to 24V, turning the opto-coupler ON.



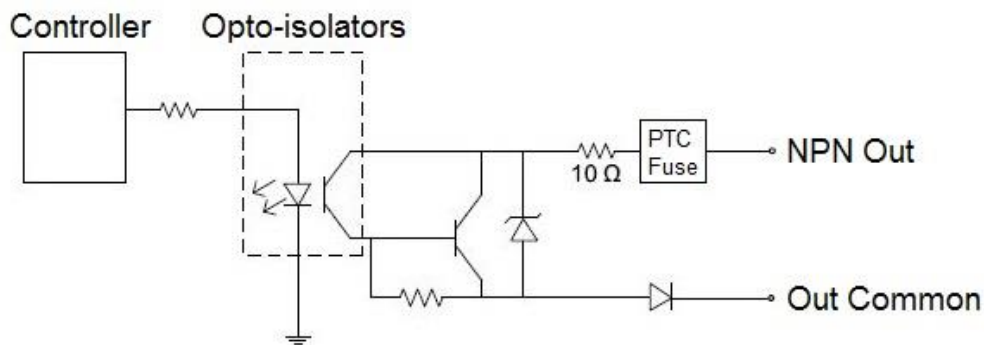
28V maximum across input pins - Transition approximately 12V (Min).

DataMan 260 High-Speed Output Lines

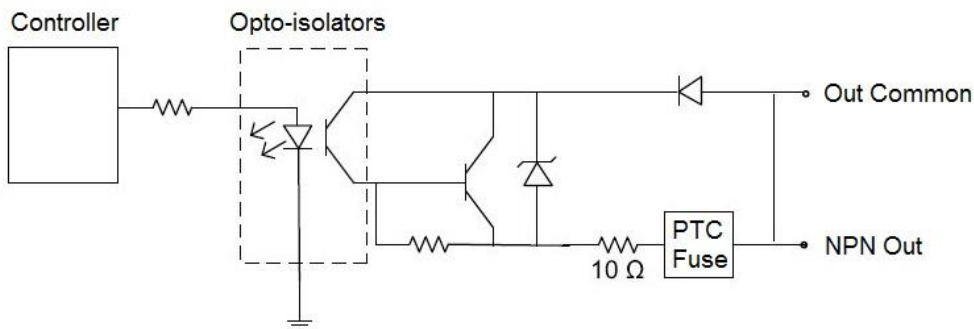
The high-speed outputs can be used as either NPN (pull-down) or PNP (pull-up) lines.

Specification	Description
Voltage	28V maximum through external load
Current	50mA maximum sink current OFF state leakage current 100 μ A External load resistance 240 Ohms to 10K Ohms Each line rated at a maximum 50mA, protected against over-current, short circuits and transients from switching inductive loads. High current inductive loads require external protection diode.

For NPN lines, the external load should be connected between the output and the positive supply voltage (<28V). The outputs pull down to less than 3VDC when ON, which causes current to flow through the load. When the outputs are OFF, no current flows through the load.

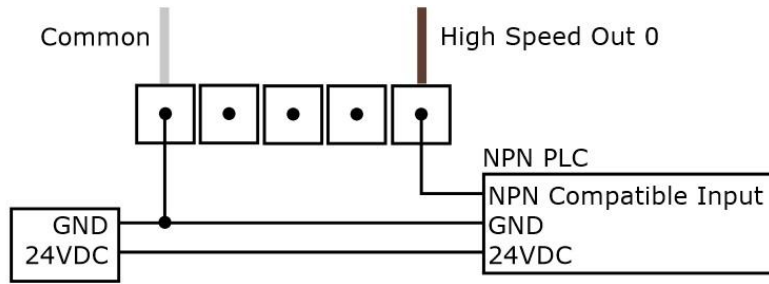


For PNP lines, the external load should be connected between the output and the negative supply voltage (0VDC). When connected to a 24 VDC power supply, the outputs pull up greater than 21VDC when ON, and current flows through the load. When the outputs are OFF, no current flows through the load.

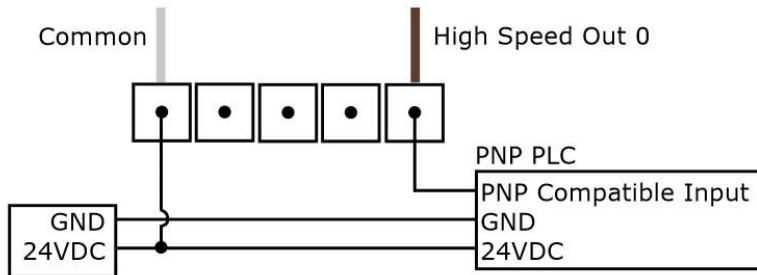


DataMan 260 High-Speed Output Wiring

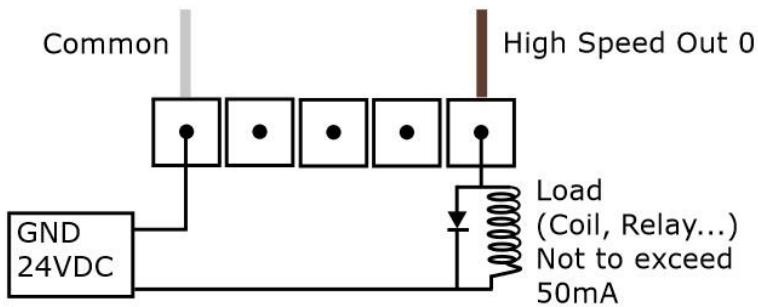
To connect to an NPN-compatible PLC input, connect Output 0 or Output 1 directly to the PLC input. When enabled, the output pulls the PLC input down to less than 3V.



To connect to a PNP-compatible PLC input, connect Output 0 or Output 1 directly to the PLC input. When enabled, the output pulls the PLC input up to greater than 21VDC.



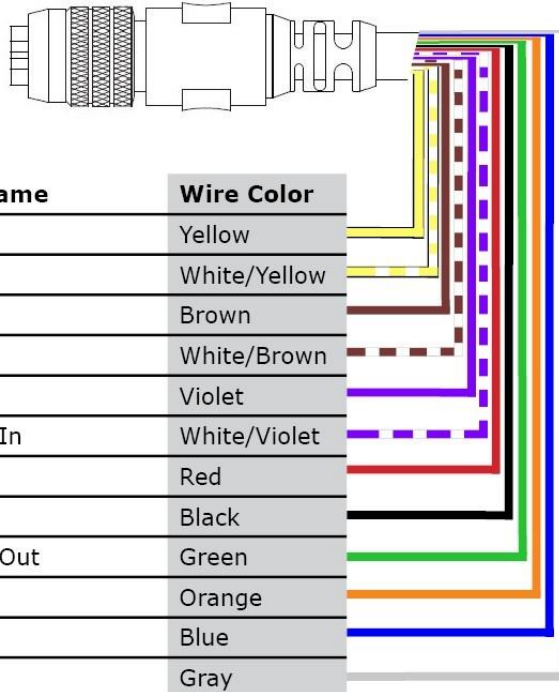
To connect the high-speed outputs to a relay, LED or similar load, connect the negative side of the load to the output and the positive side to +24 VDC. When the output switches on, the negative side of the load is pulled down to less than 3V, and 24 appears across the load. Use a protection diode for a large inductive load, with the anode connected to the output and the cathode connected to +24 VDC.



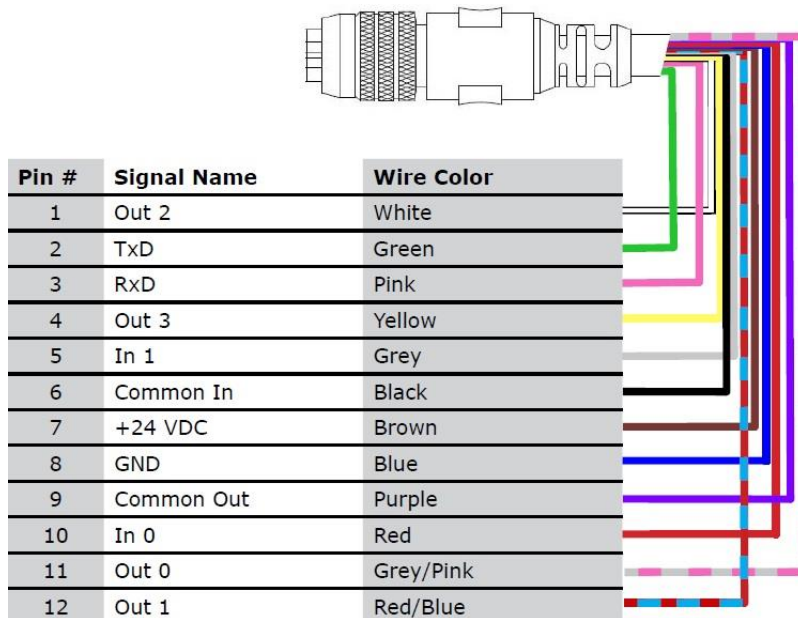
DataMan 300, 360, 370, and 470 Series Readers Discrete I/O Connector

The I/O cable (CCBL-05-01) provides access to trigger and high-speed outputs. You can clip unused wires short or use a tie made of non-conductive material to tie them back. For RS-232, use the Power Supply return path for ground.

The figure on the left shows the plug on the device.



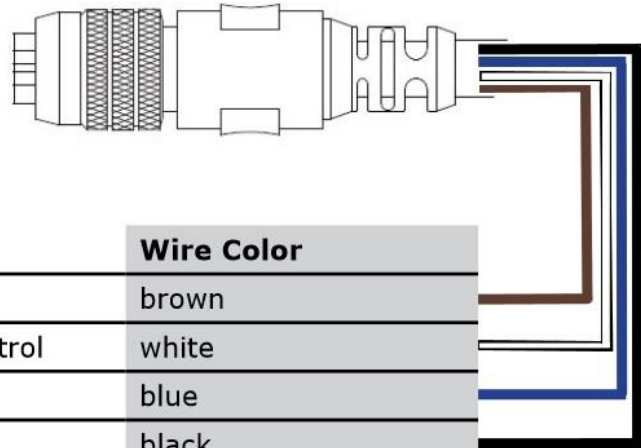
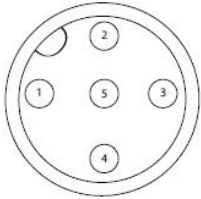
The following figure shows the pin-out numbering on the device, and information about the I/O cable on the DataMan 300, 360, and 470 series reader. This is the I/O cable with part number **CCB-M12xM12Fy-xx**.



DataMan 300, 360, and 470 Series Readers External Light Control

A 4-pin cable is provided for the external light control.

The drawing on the left shows the socket on the device. This socket does not work if the external light is connected to one of the outputs on the breakout cable.



Pin #	Signal Name	Wire Color
1	+24 VDC	brown
2	Brightness Control	white
3	GND	blue
4	Strobe	black
5	Chassis	not connected

Current load: average: 500 mA, peak: 1 A (max. 100 μ s).

DataMan 300, 360, 370 Series Readers Power Requirements

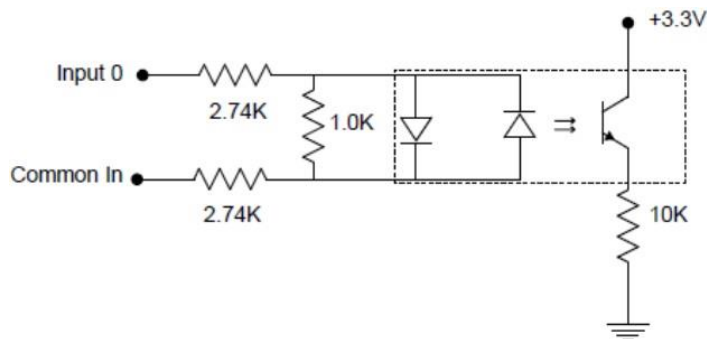
For the DataMan 300 and 360 series and DataMan 474 readers, 24 VDC power is provided through the I/O+RS232+24V cable. Maximum power consumption is 5 W (internal illumination) or 18 W (internal and external lights).

DataMan 300, 360, and 470 Series Readers Acquisition Triggering

The acquisition trigger input on the reader is opto-isolated.

To trigger from an NPN (pull-down) type photo-detector or PLC output, connect **Common In** to +24 VDC and connect **In** to the output of the detector. When the output turns on, it pulls **In** down to 0 VDC, turning the opto-coupler on.

To trigger from a PNP (pull-up) photo-detector or PLC output, connect **In 0** to the output of the detector and connect **Common In** to 0 VDC. When the output turns on, it pulls **In 0** up to 24 VDC, turning the opto-coupler ON.



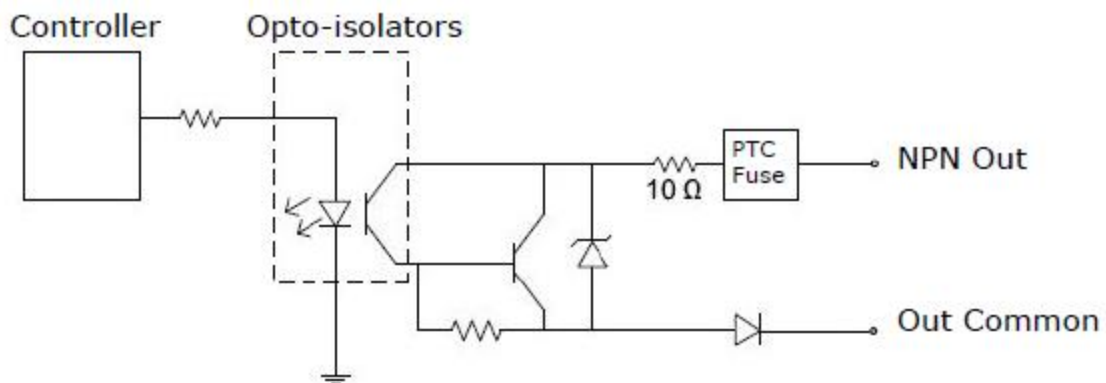
26.4 V maximum across input pins – Transition approximately 12 V (Min).

DataMan 300, 360, and 470 Series, and DataMan 503 Readers High Speed Output Lines

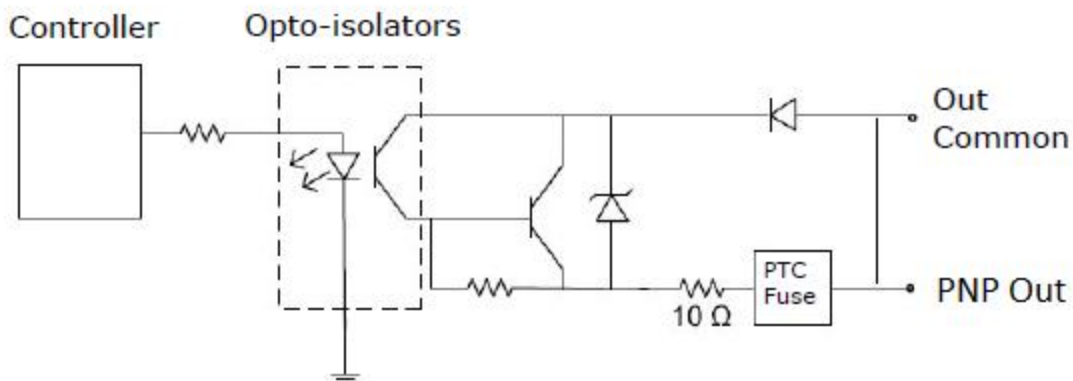
The high-speed outputs can be used as either NPN (pull-down) or PNP (pull-up) lines.

Specification	DataMan 300, 360, and 470 Series Readers, and DataMan 503 Reader Description
Voltage	26.4 V maximum through external load
Current	50 mA maximum sink current OFF state leakage current 100 μ A External load resistance 240 Ohms to 10K Ohms Each line rated at a maximum 50 mA, protected against over-current, short circuits and transients from switching inductive loads. High current inductive loads require external protection diode.

For NPN lines, the external load should be connected between the output and the positive supply voltage (<26.4 VDC). The outputs pull down to less than 3 VDC when ON, which causes current to flow through the load. When the outputs are OFF, no current flows through the load.

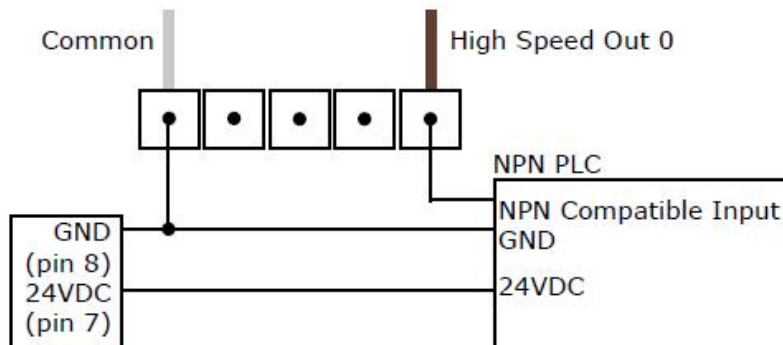


For PNP lines, the external load should be connected between the output and the negative supply voltage (0 VDC). When connected to a 24 VDC power supply, the outputs pull up greater than 21 VDC when ON, and current flows through the load. When the outputs are OFF, no current flows through the load.

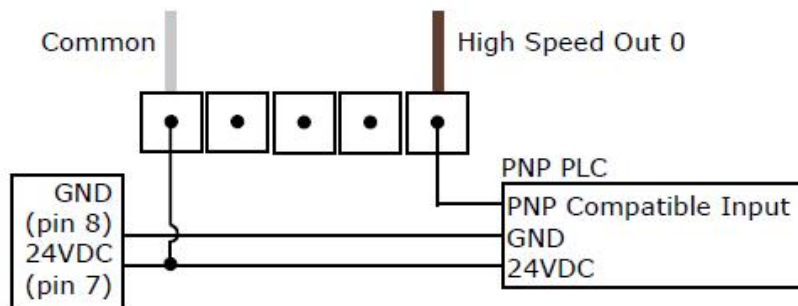


DataMan 300, 360, 370, and 470 Series Readers High Speed Output Wiring

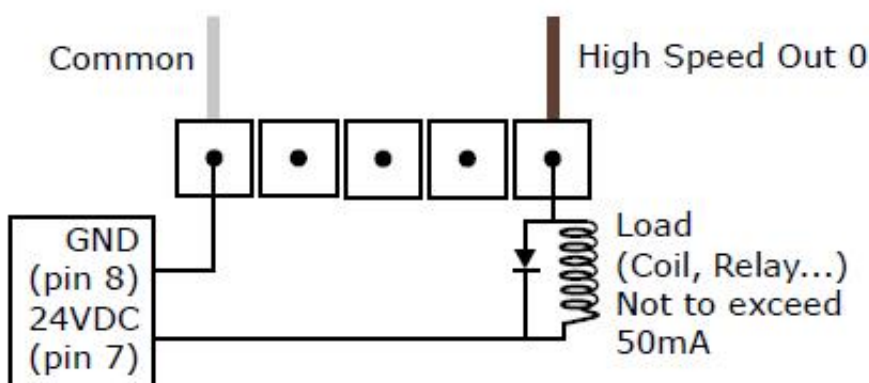
To connect to an NPN-compatible PLC input, connect Output 0, Output 1, Output 2, or Output 3 directly to the PLC input. When enabled, the output pulls the PLC input down to less than 3 VDC.



To connect to a PNP-compatible PLC input, connect Output 0, Output 1, Output 2 or Output 3 directly to the PLC input. When enabled, the output pulls the PLC input up to greater than 21 VDC.



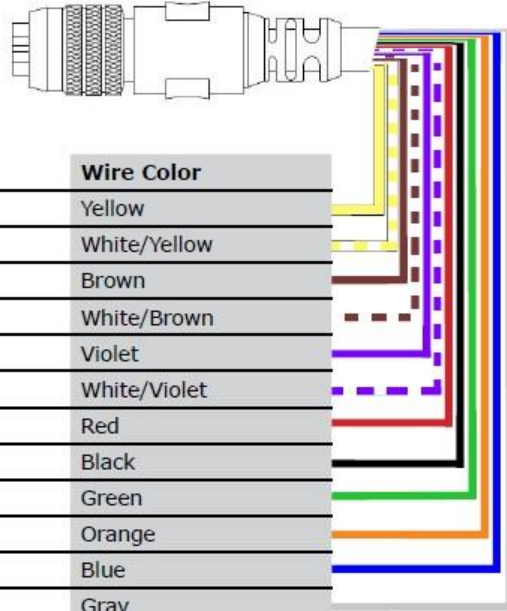
To connect the high-speed outputs to a relay, LED or similar load, connect the negative side of the load to the output and the positive side to +24 VDC. When the output switches on, the negative side of the load is pulled down to less than 3 VDC, and 24 appears across the load. Use a protection diode for a large inductive load, with the anode connected to the output and the cathode connected to +24 VDC.



DataMan 503 Discrete I/O Connector

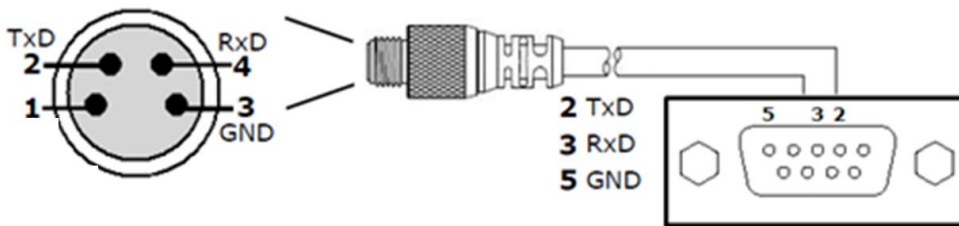
The Breakout cable provides access to trigger and high-speed outputs. You can clip unused wires short or use a tie made of non-conductive material to tie them back.

The figure on the left shows the plug on the device.



Pin #	Signal Name	Wire Color
1	Out 2	Yellow
2	In 3	White/Yellow
3	In 2	Brown
4	Out 3	White/Brown
5	In 1	Violet
6	Common In	White/Violet
7	+24 VDC	Red
8	GND	Black
9	Common Out	Green
10	In 0	Orange
11	Out 0	Blue
12	Out 1	Gray

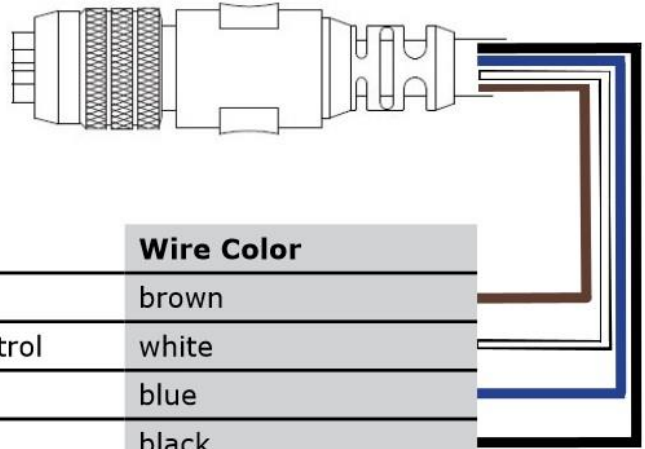
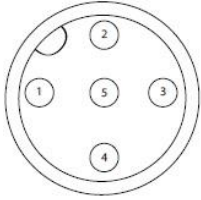
DataMan 503 RS-232 Serial Connector



DataMan 503 External Light Control

A 4-pin cable is provided for the external light control.

The drawing on the left shows the socket on the device. This socket does not work if the external light is connected to one of the outputs on the I/O cable.

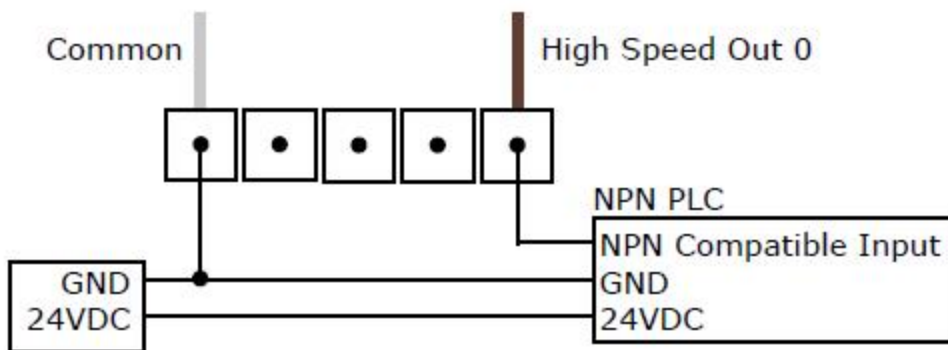


Pin #	Signal Name	Wire Color
1	+24 VDC	brown
2	Brightness Control	white
3	GND	blue
4	Strobe	black
5	Chassis	not connected

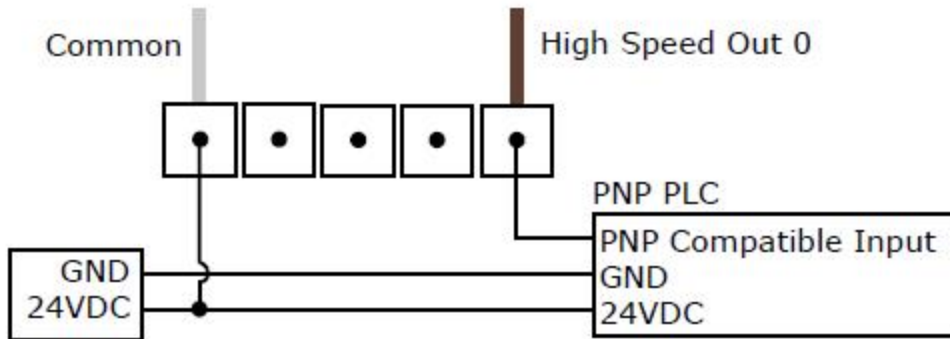
Current load: average: 500mA, peak: 1A (max. 100µs).

DataMan 503 High-Speed Output Wiring

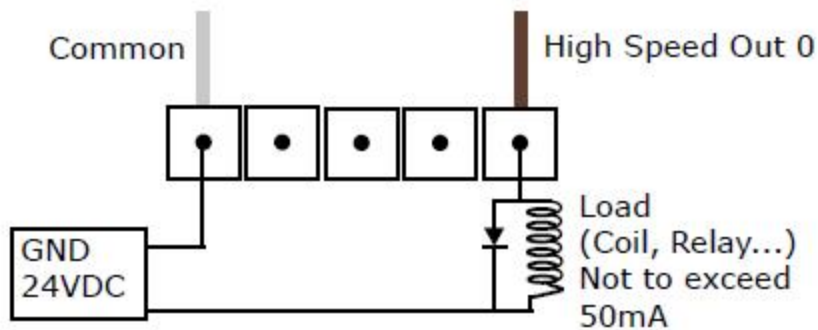
To connect to an NPN-compatible PLC input, connect Output 0, Output 1, Output 2, or Output 3 directly to the PLC input. When enabled, the output pulls the PLC input down to less than 3VDC.



To connect to a PNP-compatible PLC input, connect Output 0 or Output 1 directly to the PLC input. When enabled, the output pulls the PLC input up to greater than 21VDC.



To connect the high-speed outputs to a relay, LED or similar load, connect the negative side of the load to the output and the positive side to +24 VDC. When the output switches on, the negative side of the load is pulled down to less than 3VDC, and 24 appears across the load. Use a protection diode for a large inductive load, with the anode connected to the output and the cathode connected to +24 VDC.



DataMan 503 Power Requirements

For the DataMan 503 readers, 24 VDC power is provided through the I/O+RS232+24V cable. Maximum power consumption is 13W (High-Power Lighting Module).

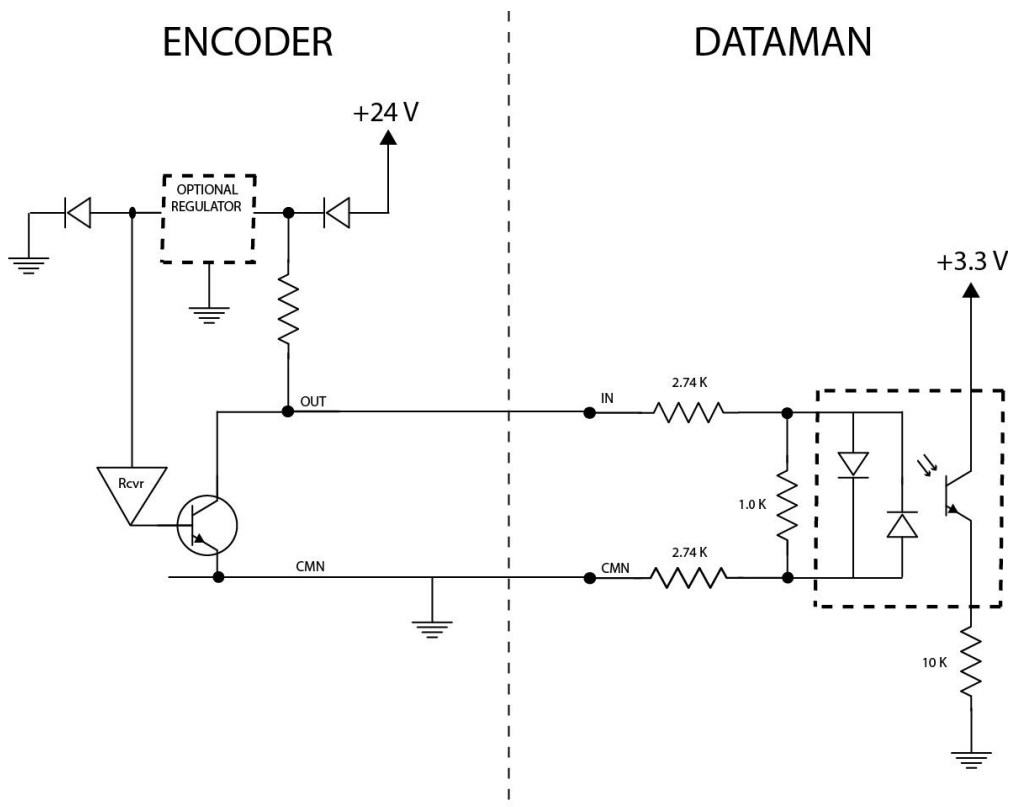
Connecting the Encoder to a DataMan

Encoder is supported on the following DataMan devices and with the following conditions:

DM50, DM60, DM70, DM150	unidirectional	One input counts encoder ticks
DM260, DM300, DM503	bidirectional	<ul style="list-style-type: none"> • One input counts encoder ticks • Second input for direction information
DM360	bidirectional	2 inputs for quadrature modulated signals

The encoder has four wires. The color coding of the wires is the following:

Wire Color	Signal Name
Red	+24 VDC
Black	common- can be connected to either +24 VDC (NPN) or ground (PNP)
White	the output connected to the input line of the DataMan reader
Bare	ground



According to the speed of the line, set the number of pulses per revolution on the wheel by using the switches on the encoder (for more information, see the encoder documentation). The number of pulses, however, must not exceed 150 Hz.

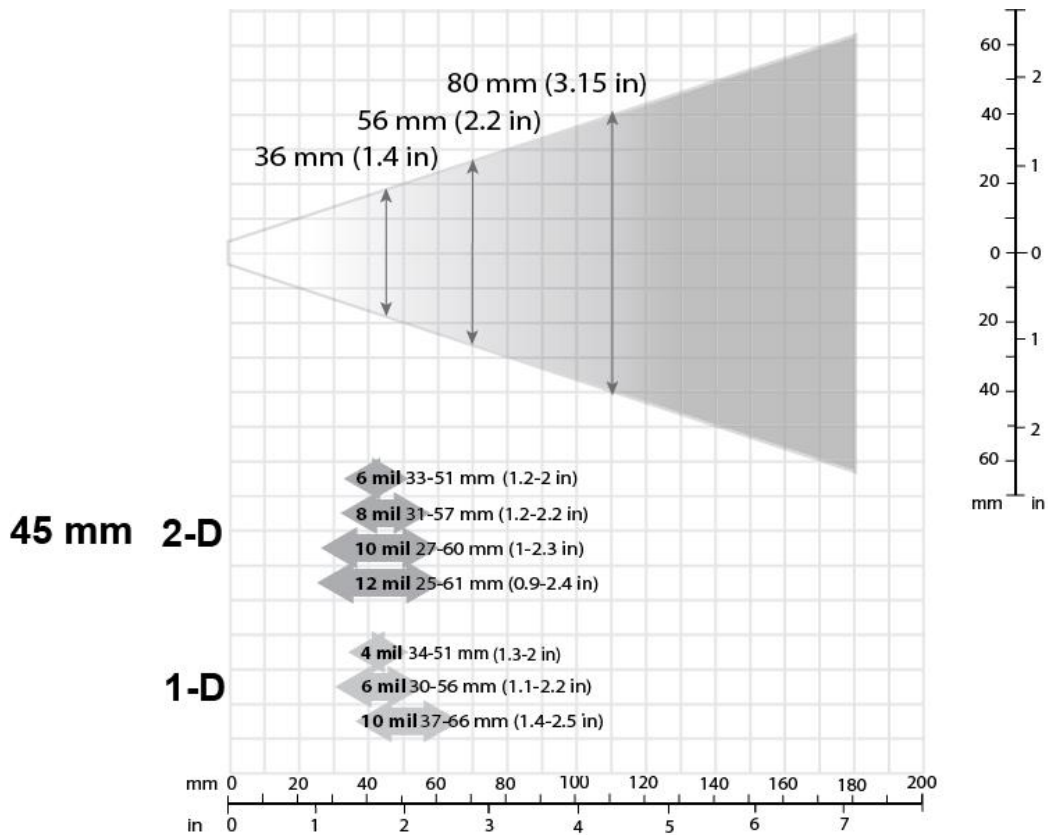
In the DataMan Setup Tool, configure the use of your DataMan reader with the encoder in the Pulse Encoder tab of the System Settings pane.

Optics and Lighting

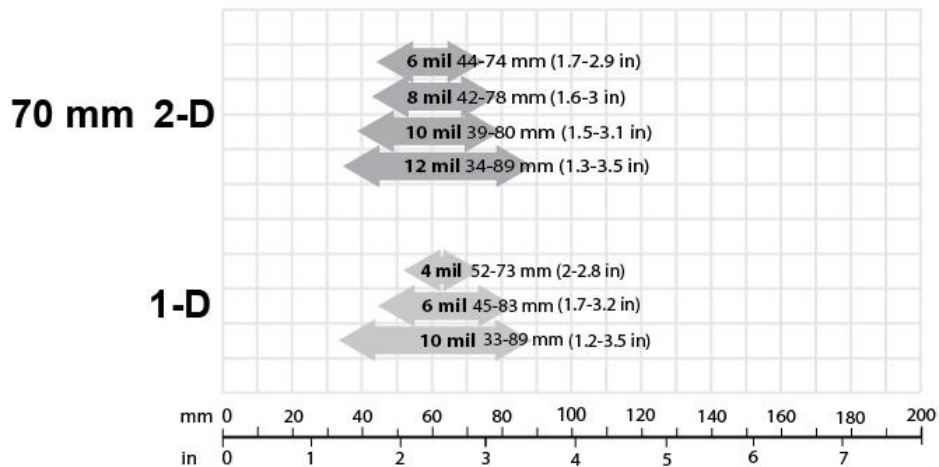
This section contains information about the image formation components of the DataMan 50, 60, 70, 150, 260, 474, 503 and DataMan 300 and 360 series readers.

DataMan 50 and 60 Reading Distances and Field of View

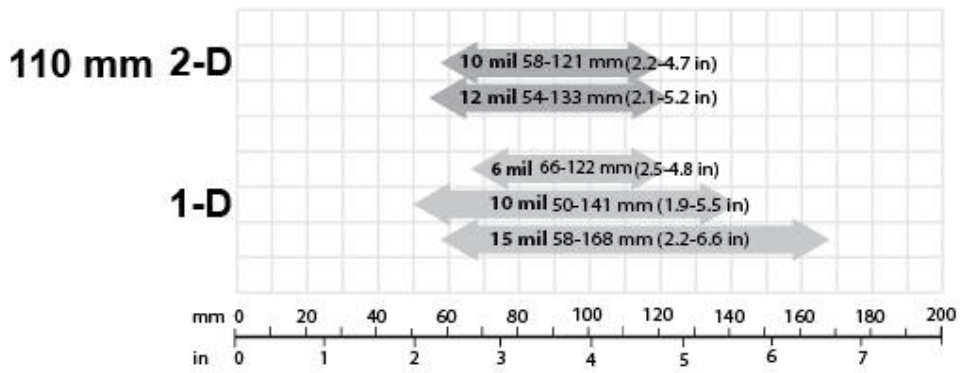
The following chart shows the horizontal field of view for the DataMan 50 and 60 at a range of working distances, together with the supported range of reading distances at 45 mm focus position.



This chart shows the supported range of reading distances at 70 mm focus position.



This chart shows the supported range of reading distances at 110 mm focus position.



The following table shows the Field of View widths at various distances.

Distances in mm	DM50/DM60
45	36
70	56
110	80

DataMan 70, 150 and 260 Reading Distances and Field of View

DataMan 70, 150 and 260 Readers with a 6.2 mm Lens

Short Range (Focused to 105 mm)

The following tables show the field of view (FoV) widths of the 6.2 mm lens focused to 105 mm at various distances.

DM70, DM150 or DM260

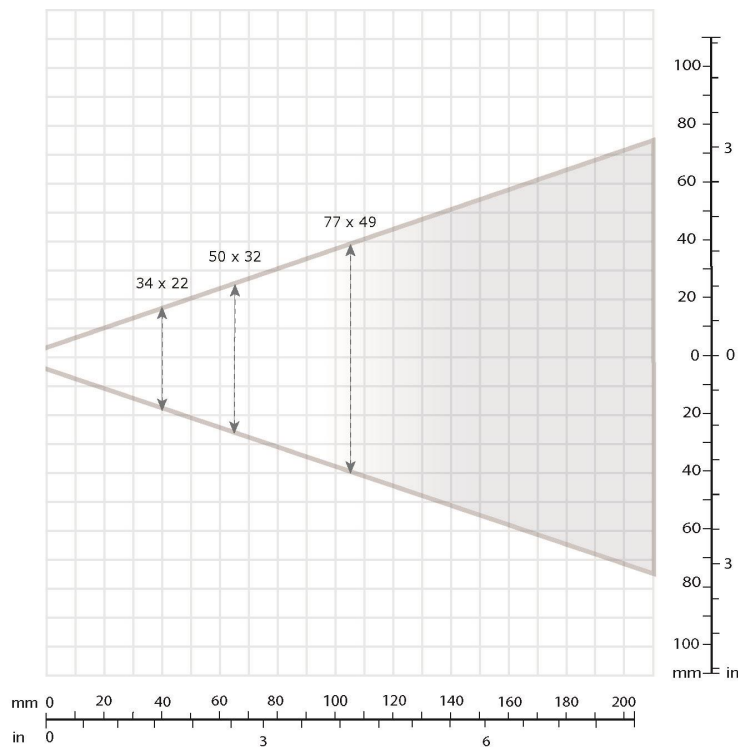
Distances in mm	2D min. code	1D min. code
40	4 MIL	4 MIL
65	5 MIL	4 MIL
105	10 MIL	6 MIL

DM72, DM152 or DM262

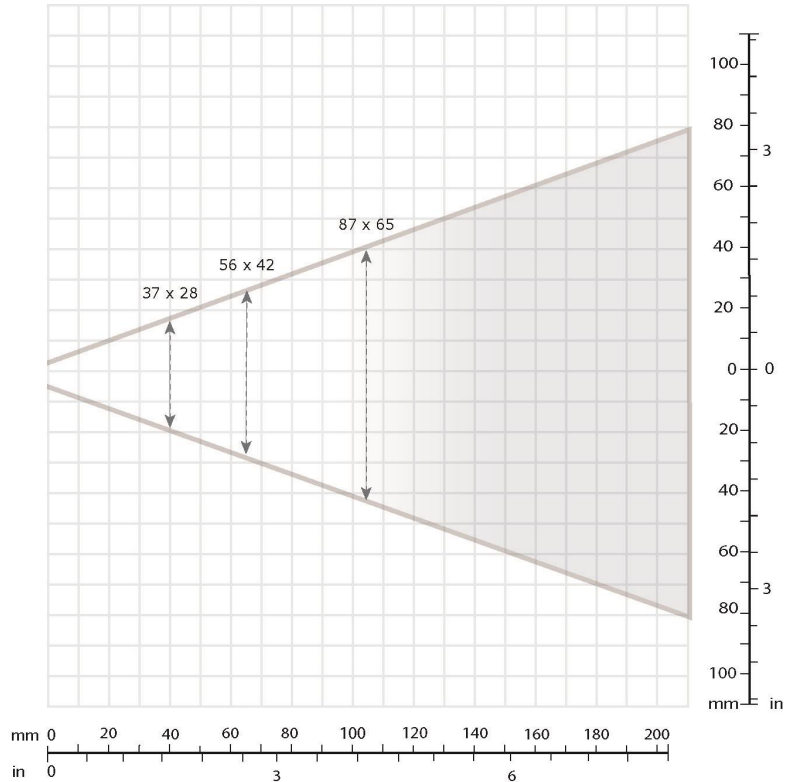
Distances in mm	2D min. code	1D min. code
40	3 MIL	2 MIL
65	4 MIL	2 MIL
105	7 MIL	5 MIL

The following maps show the field of view (FoV) of the DataMan 70, DataMan 150 or DataMan 260 readers with a 6.2 mm lens. The horizontal and vertical field of view is shown for working distances of 40 mm, 65 mm and 105 mm.

DM70, DM150 or DM260 + 6.2 mm Lens



DM72, DM152 or DM262 + 6.2 mm Lens



Long Range (Focused to 190 mm)

The following tables show the FoV widths of the 6.2 mm lens focused to 190 mm at various distances.

DM150 or DM260

Distances in mm	2D min. code	1D min. code
150	12 MIL	6 MIL
190	15 MIL	10 MIL
225	18 MIL	10 MIL
375	30 MIL	15 MIL
500	35 MIL	20 MIL
1 m	-	35 MIL

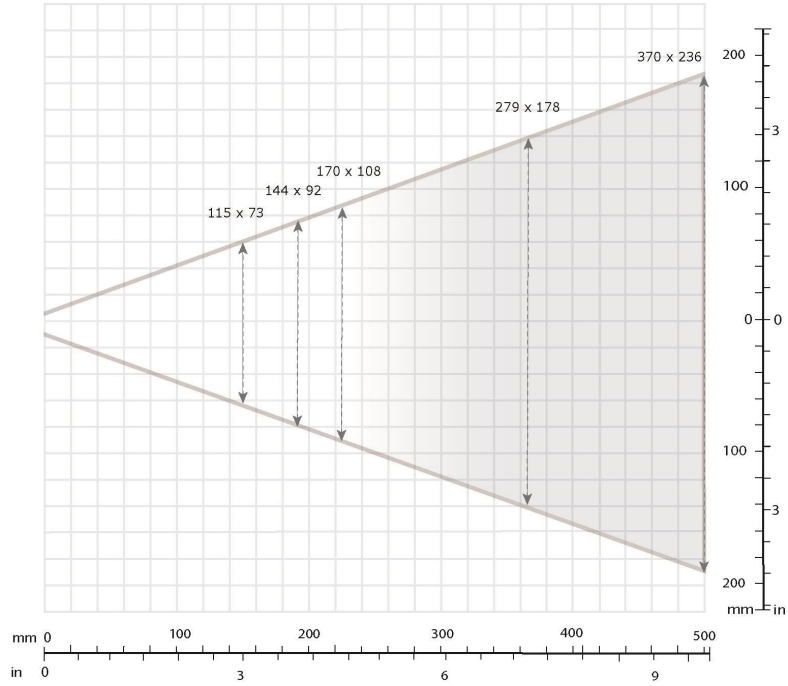
DM152 or DM262

Distances in mm	2D min. code	1D min. code
150	10 MIL	5 MIL
190	12 MIL	6 MIL
225	15 MIL	6 MIL
375	20 MIL	10 MIL
500	25 MIL	15 MIL
1 m	-	30 MIL

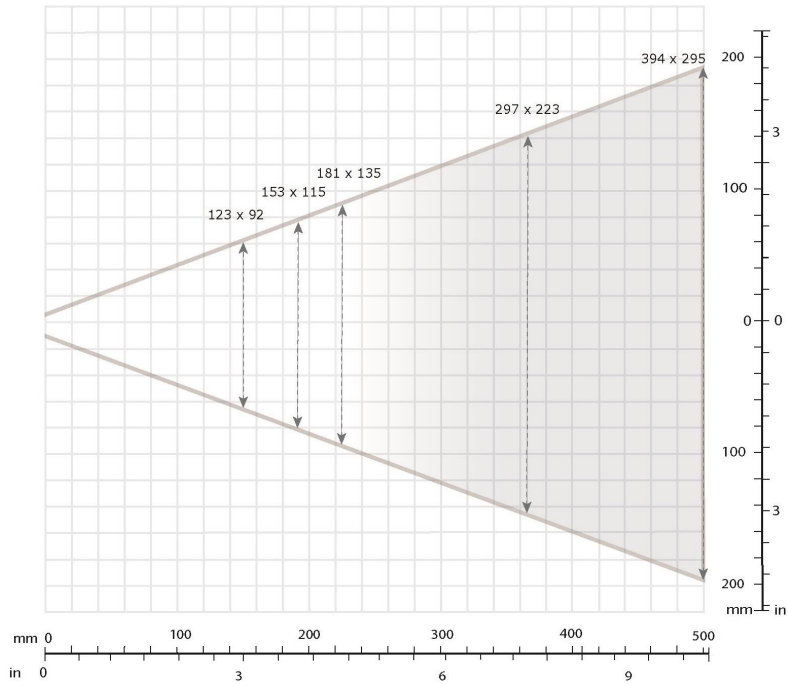
The following maps show the field of view (FoV) of the DataMan 150 or DataMan 260 readers with a 6.2 mm lens.

The horizontal and vertical field of view is shown for working distances of 150 mm, 190 mm, 225 mm, 375 mm and 500 mm.

DM150 or DM260 + 6.2 mm Lens



DM152 or DM262 + 6.2 mm Lens



DataMan 150 or DataMan 260 Readers with a 16 mm Lens

The following tables show the field of view (FoV) widths of the 16 mm lens at various distances.

DM150 or DM260

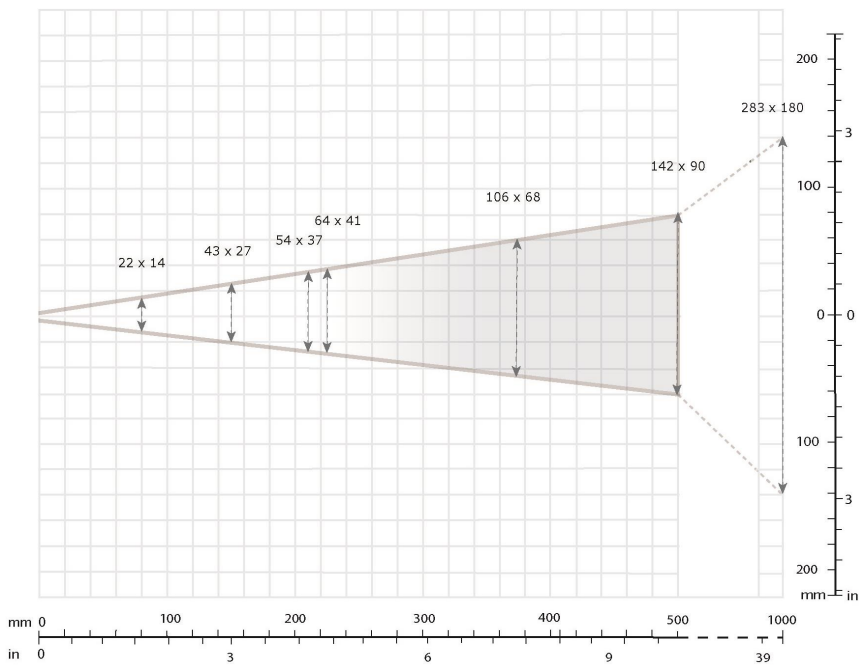
Distances in mm	2D min. code	1D min. code
80	3 MIL	2 MIL
150	5 MIL	3 MIL
190	6 MIL	4 MIL
225	7 MIL	4 MIL
375	12 MIL	5 MIL
500	15 MIL	10 MIL
1 m	25 MIL	15 MIL

DM152 or DM262

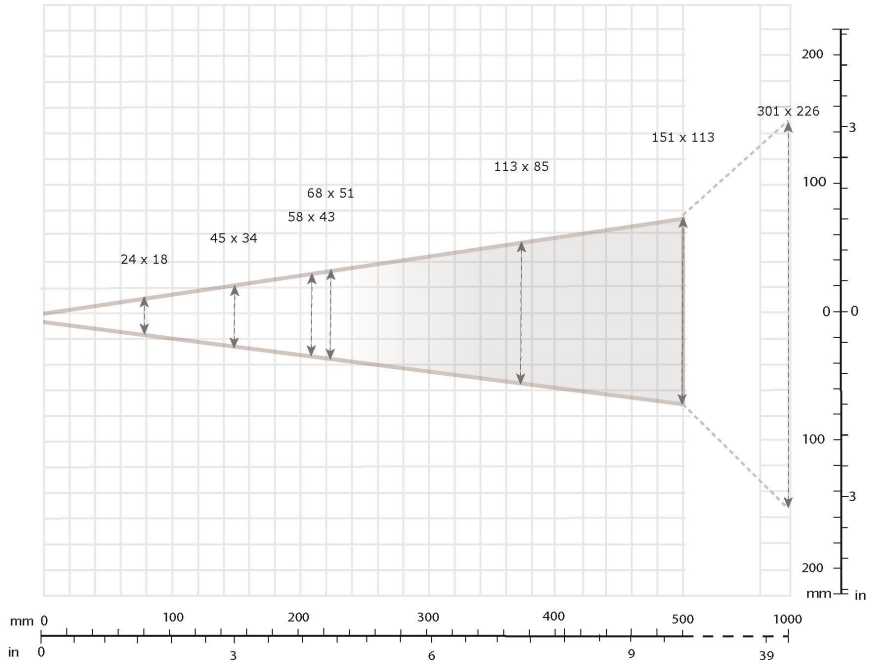
Distances in mm	2D min. code	1D min. code
80	2 MIL	2 MIL
150	3 MIL	2 MIL
190	4 MIL	2 MIL
225	4 MIL	3 MIL
375	7 MIL	4 MIL
500	10 MIL	6 MIL
1 m	20 MIL	15 MIL

The following maps show the FoV of the DataMan 150/260 and DataMan 152/262 readers with a 16 mm lens. The horizontal and vertical field of view is shown for working distances of 80 mm, 150 mm, 225 mm, 375 mm, 500 mm and 1000 mm.

DM150 or DM260 + 16 mm Lens



DM152 or DM262 + 16 mm Lens



DataMan 300 and 360 Series Readers Reading Distances and Field of View

The DataMan 300 and 360 series readers: DataMan 300/360, DataMan 302/362, and DataMan 303/363 have different fields of view because of the different regions of the sensor used by each reader.

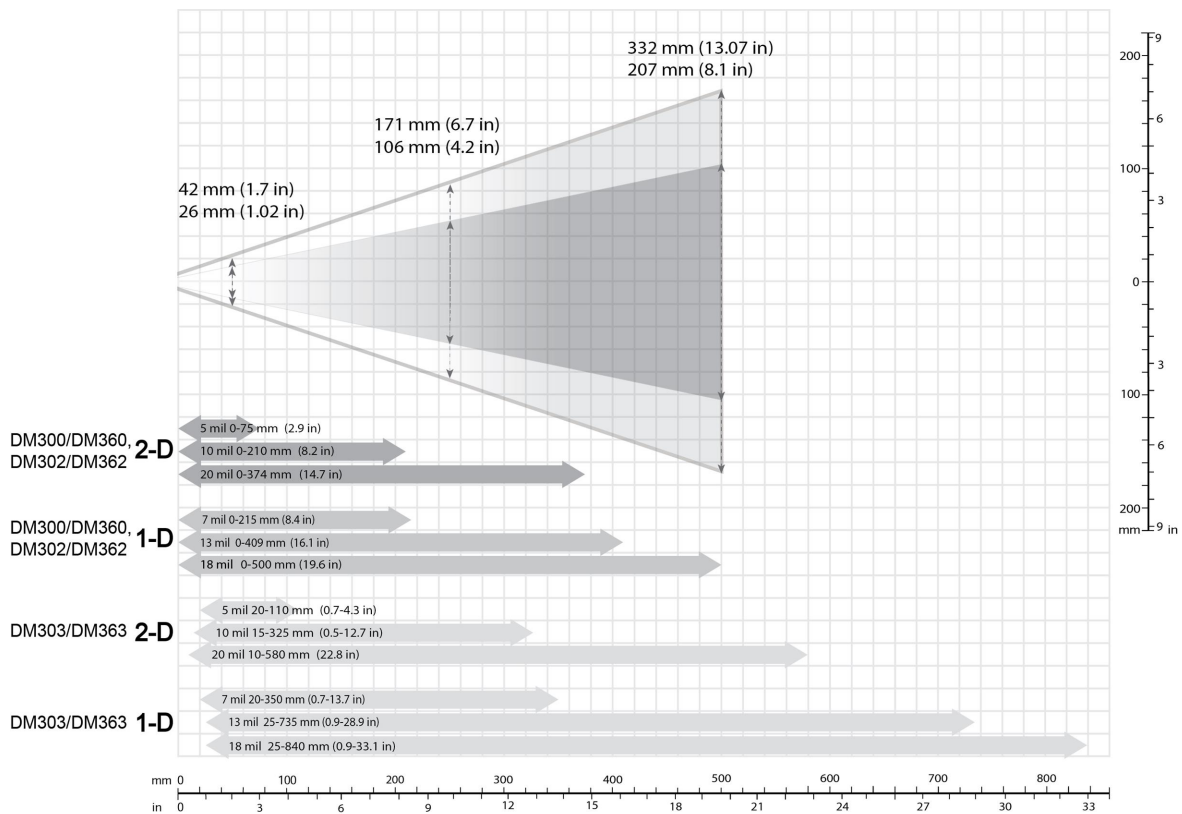
Scan Map for DataMan 300 and 360 Series Readers Using a 10.3 mm Lens

The map below shows the field of view of the DataMan 300/360, DataMan 302/362 and DataMan 303/363 readers with a 10.3 mm lens (with or without a liquid lens).

The FoV values are shown as follows:

- outer: DM302/362, DM303/363
- inner: DM300/360

The reading distances for the DM300/360 and DM302/362 readers are the same. The DM303/363 features a higher resolution and more pixels in about the same sensor size.



The following table shows the Field of View widths in mm at various distances.

Distances in mm	DM300, DM360	DM302/303, DM362/363
50	26	42
100	46	74
150	66	106
250	106	171
500	207	332

Scan Map for DataMan 300 and 360 Series Readers Using a 16 mm Lens

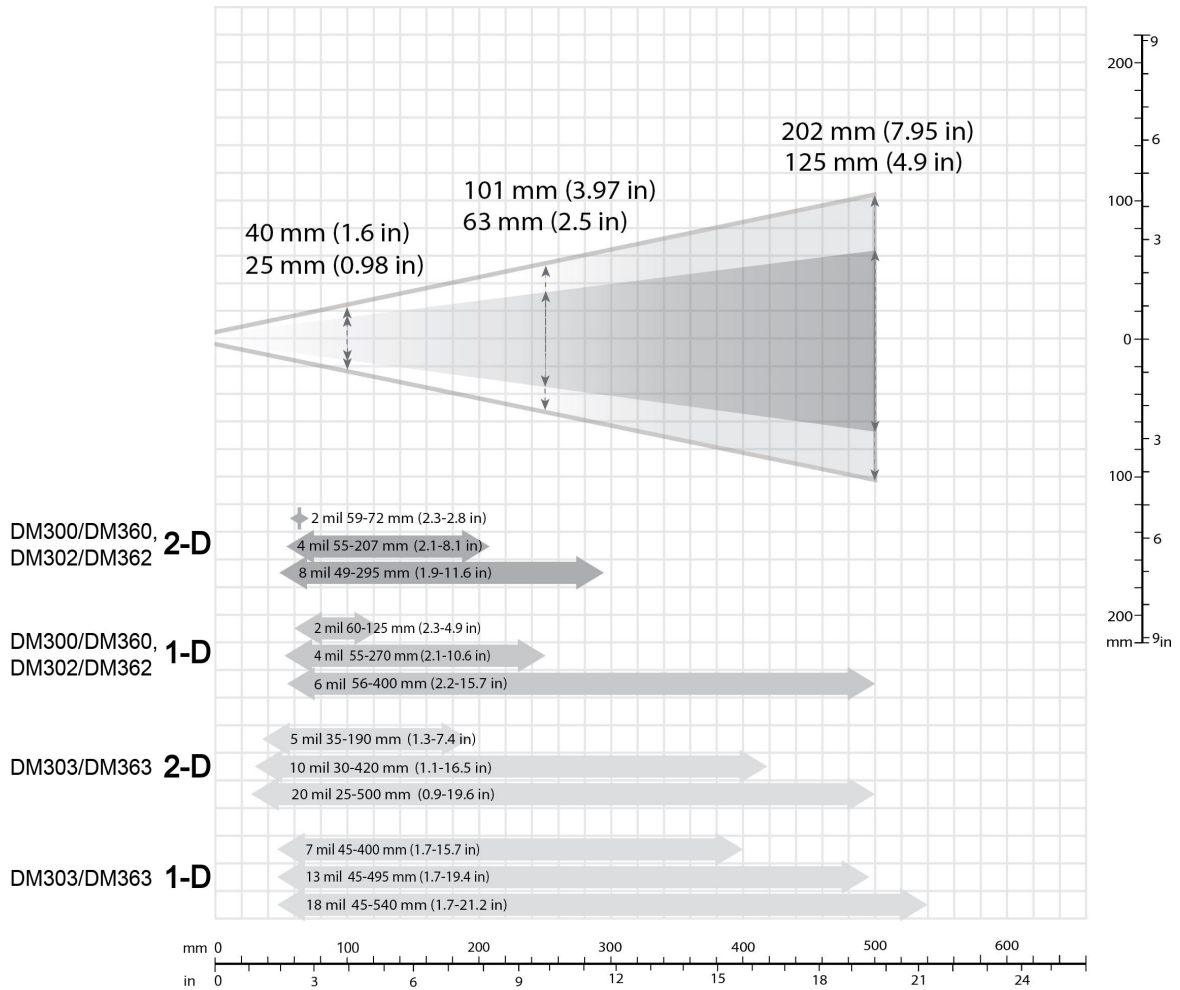
This map shows the field of view of the DataMan 300/360, DataMan 302/362 and DataMan 303/363 readers with a 16 mm lens.

The FoV values are shown as follows:

- outer: DM302/362, DM303/363
- inner: DM300/360

The reading distances for the DM300/360 and DM302/362 readers are the same. The DM303/363 features a higher resolution and more pixels in about the same sensor size.

To make sure that your DM303/363 reader is able to decode at the minimum reading distances, use the reader in combination with the extension kit or without the front cover.



The following table shows the Field of View widths in mm at various distances.

Distances in mm	DM300, DM360	DM302/303, DM362/363
50	13	20
100	25	40
150	38	60
250	63	101
500	125	202

Scan Map for DataMan 300 and 360 Series Readers Using a 19 mm Lens

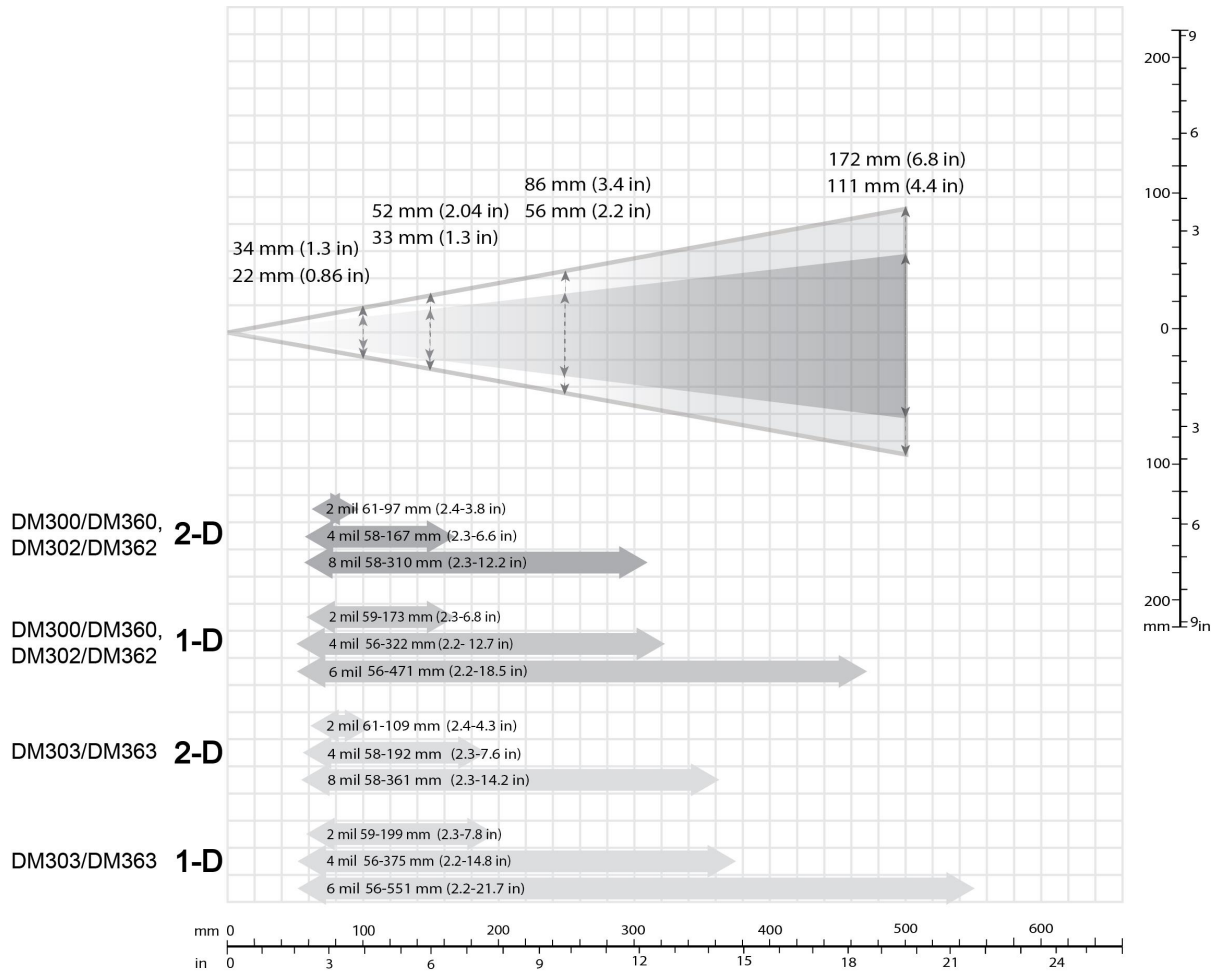
This map shows the field of view of the DataMan 300/360, DataMan 302/362 and DataMan 303/363 with a 19 mm lens (with or without a liquid lens).

The FoV values are shown as follows:

- outer: DM302/362, DM303/363
- inner: DM300/360

The reading distances for the DM300/360 and DM302/362 readers are the same. The DM303/363 features a higher resolution and more pixels in about the same sensor size.

To make sure that your DM303/363 reader is able to decode at the minimum reading distances, use the reader in combination with the extension kit or without the front cover.



The following table shows the Field of View widths in mm at various distances.

Distances in mm	DM300, DM360	DM302/303, DM362/363
50	11	17
100	22	34
150	33	52
250	56	86
500	111	172

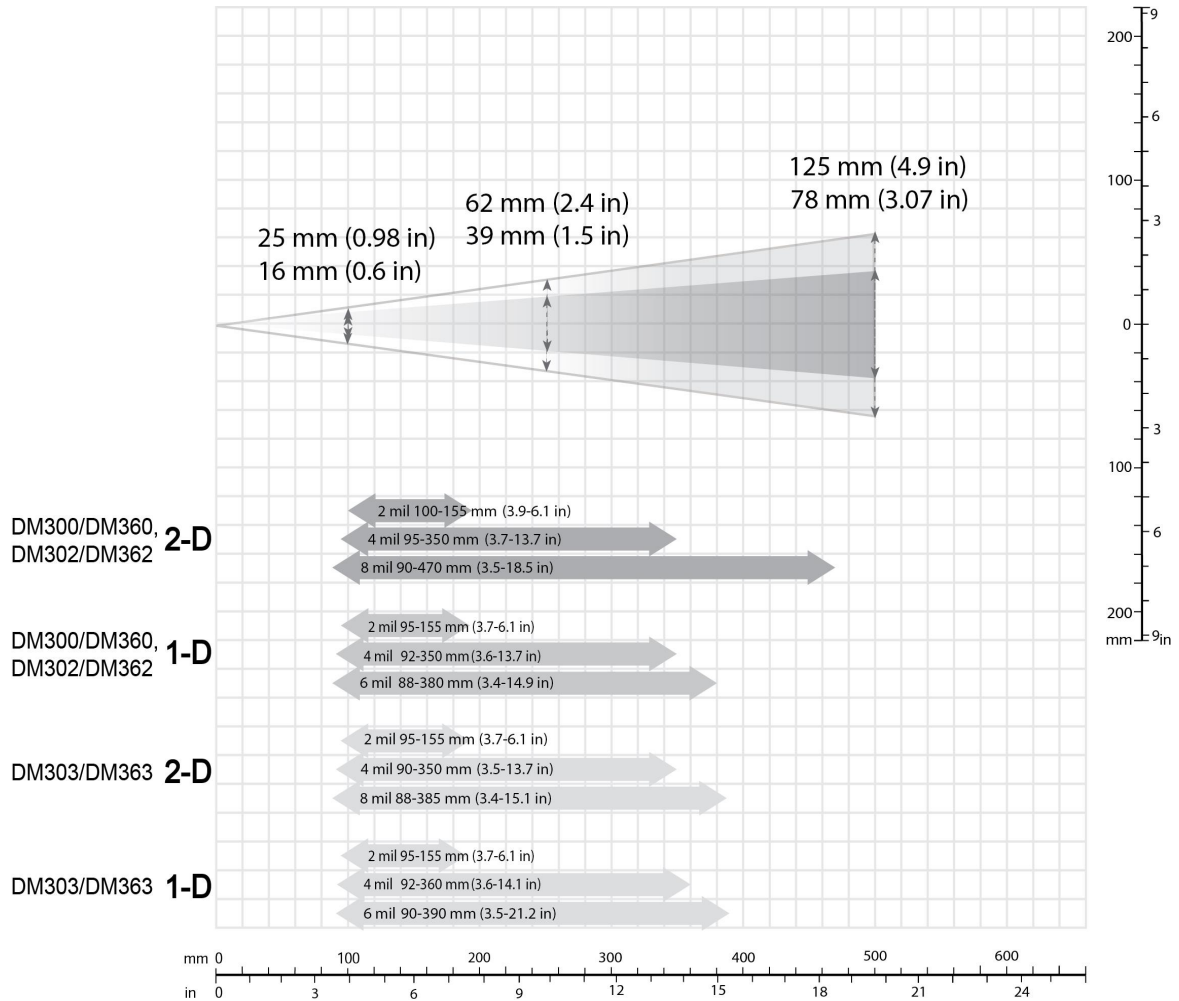
Scan Map for DataMan 300 and 360 Series Readers Using a 25 mm Lens

This map shows the field of view of the DataMan 300/360, DataMan 302/362, and DataMan 303/363 readers with a 25 mm lens.

The FoV values are shown as follows:

- outer: DM302/362, DM303/363
- inner: DM300/360

The reading distances for the DM300/360 and DM302/362 readers are the same. The DM303/363 features a higher resolution and more pixels in about the same sensor size.



The following table shows the Field of View widths in mm at various distances.

Distances in mm	DM300, DM360	DM302/303, DM362/363
50	8	12
100	16	25
150	23	37
250	39	62
500	78	125

DataMan 470 Series Readers Reading Distances and Field of View

The following maps show the field of view of the Cognex product name in content series readers. Reading distance values are also provided for 1-D and 2-D example code distances.

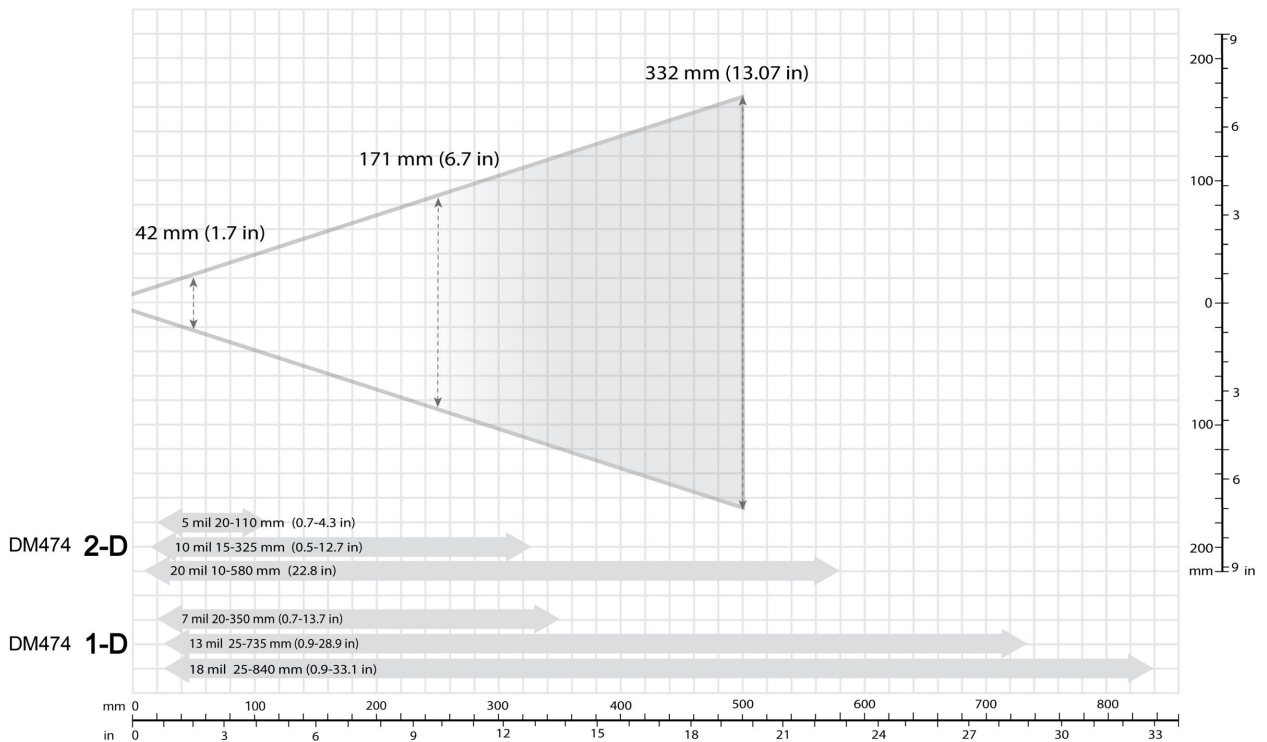
For the C-mount (or other non-Cognex) and S-Mount lenses, the focal length of the lens, focus setting, and aperture setting determine the field of view and reading distance.

Reading Distance and Field of View (Cognex product name in content Readers with a 10.3 mm Lens)

The map below shows the field of view (FoV) of the Cognex product name in content series readers with a 10.3 mm lens (with or without a liquid lens).

The following table shows the FoV widths in mm at various distances.

Distances in mm	DM474	DM475
50	42	
100	74	
150	106	
250	171	
500	332	

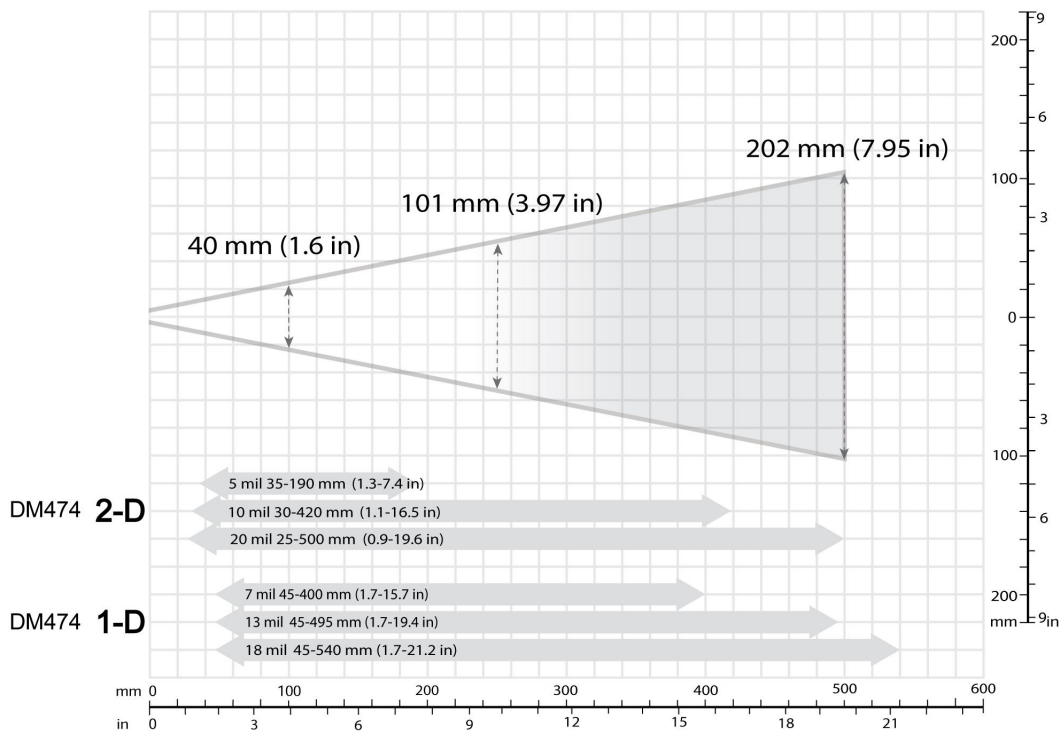


Reading Distance and Field of View (Cognex product name in contentReaders with a 16 mm Lens)

The following map shows the FoV of the Cognex product name in content series readers with a 16 mm lens.

The following table shows the FoV widths in mm at various distances.

Distances in mm	DM474	DM475
50	20	
100	40	
150	60	
250	101	
500	202	



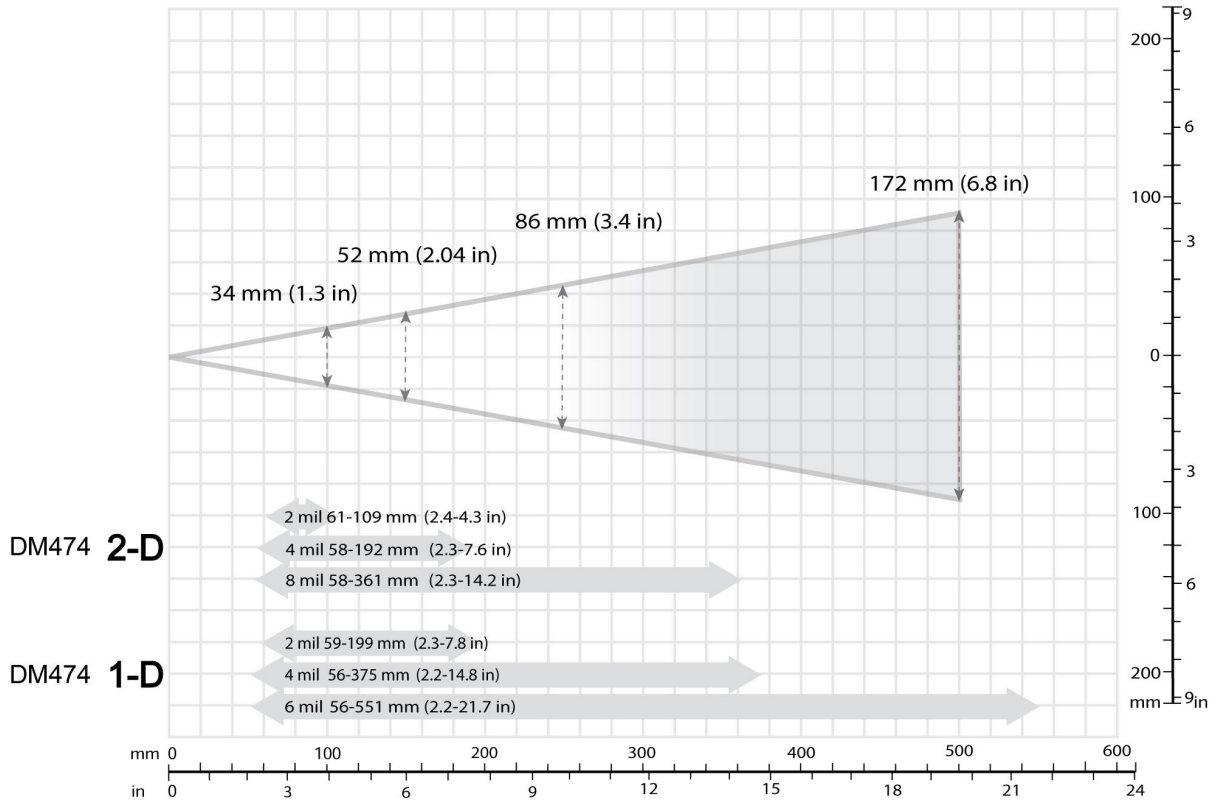
Reading Distance and Field of View (Cognex product name in content Readers with a 19 mm Lens with a Liquid Lens)

The map below shows the FoV of the Cognex product name in content series readers with a 19 mm lens with a liquid lens.

The following table shows the FoV widths in mm at various distances.

Distances in mm	DM474	DM475
50	17	
100	34	
150	52	

Distances in mm	DM474	DM475
250	86	
500	172	

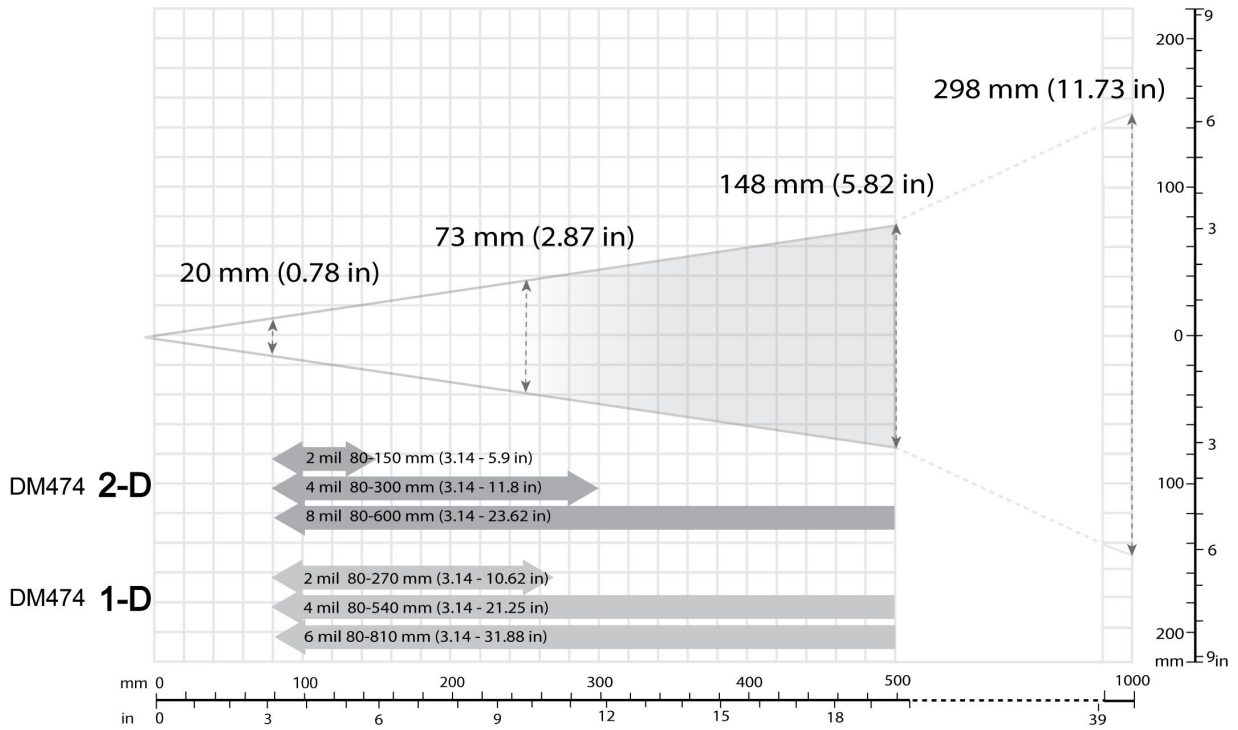


Reading Distance and Field of View (Cognex product name in content Readers with a 24 mm Lens with Liquid Lens)

The following map shows the FoV of the Cognex product name in content series readers with a 24 mm lens with a liquid lens and DM360-HPIL-RE-01 or DM360-HPIL-RE-P-01 cover.

The following table shows the FoV widths in mm at various distances.

Distances in mm	DM474	DM475
80	20	
250	73	
500	148	
1000	298	

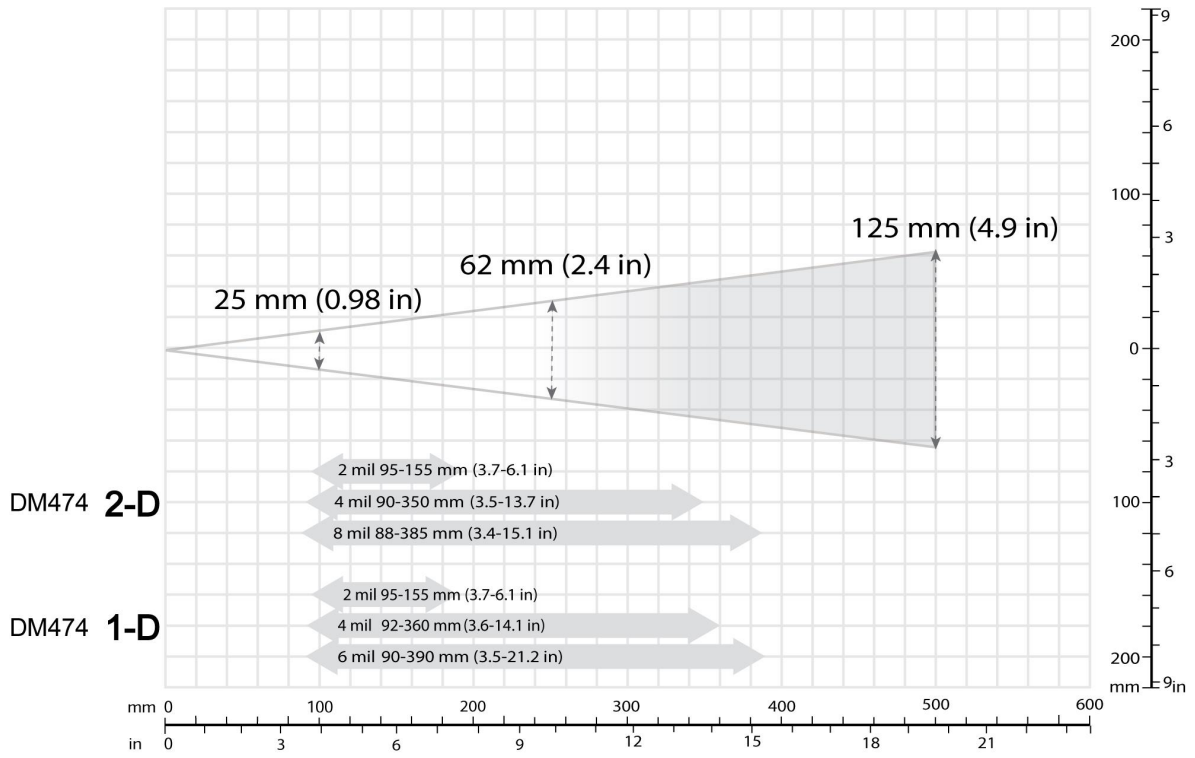


Reading Distance and Field of View (Cognex product name in content Readers with a 25 mm Lens)

The following map shows the FoV of the Cognex product name in content series readers with a 25 mm lens (with or without a liquid lens).

The following table shows the FoV widths in mm at various distances.

Distances in mm	DM474	DM475
50	12	
100	25	
150	37	
250	62	
500	125	

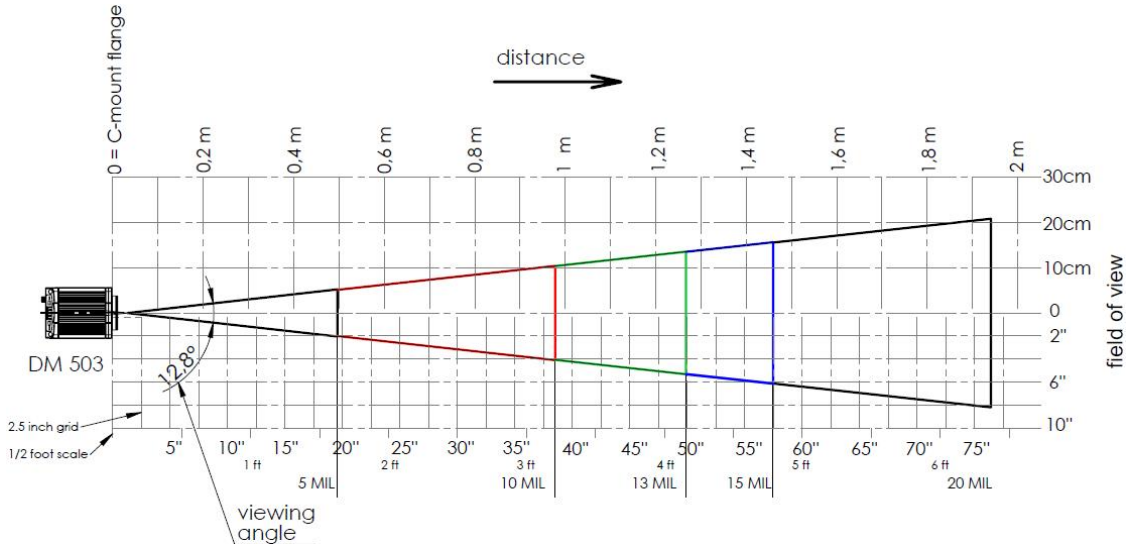


DataMan 503 Readers Reading Distances and Field of View

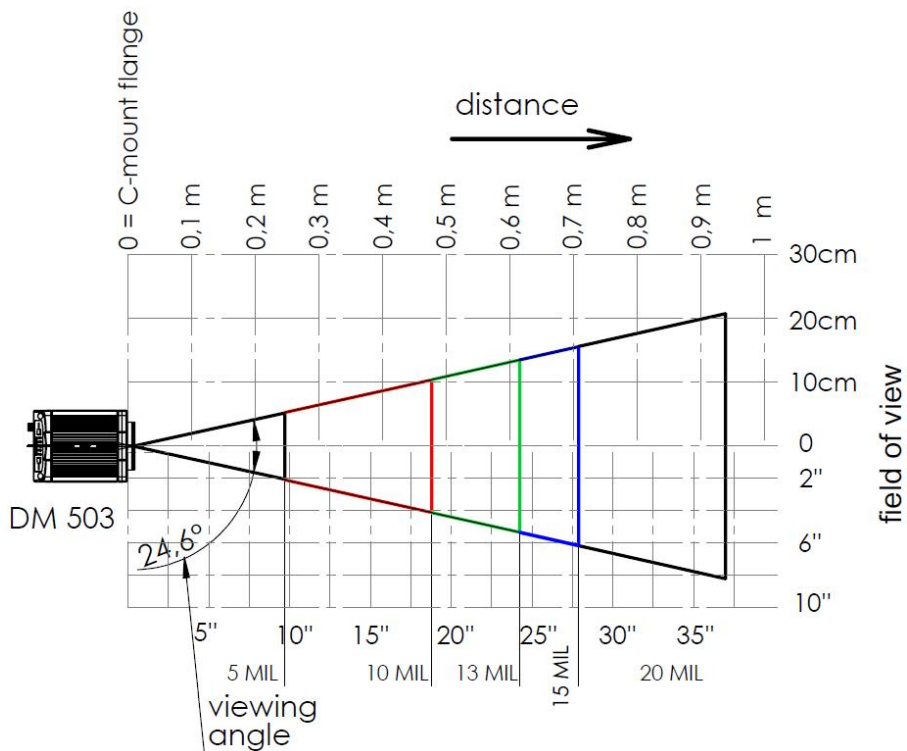
The following scan maps show the reading distance and field of view charts for the various lenses that can be used with the DataMan 503 reader.

Scan Map for DataMan 503 Series Readers Using a 16 mm Lens Module

The following map shows the reading distance and field of view charts for the DataMan 503 reader with a 16 mm lens for 1-D codes. The minimum 1-D resolution is at 1.2 pixels per module.

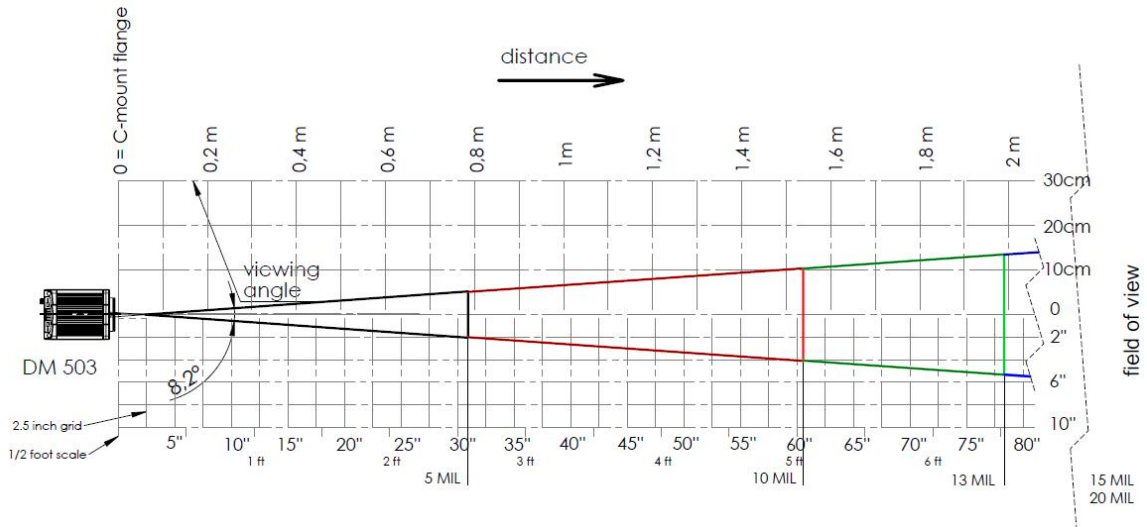


The following map shows the reading distance and field of view charts for the DataMan 503 reader with a 16 mm lens for 2-D codes. The minimum 2-D resolution is at 2.5 pixels per module.

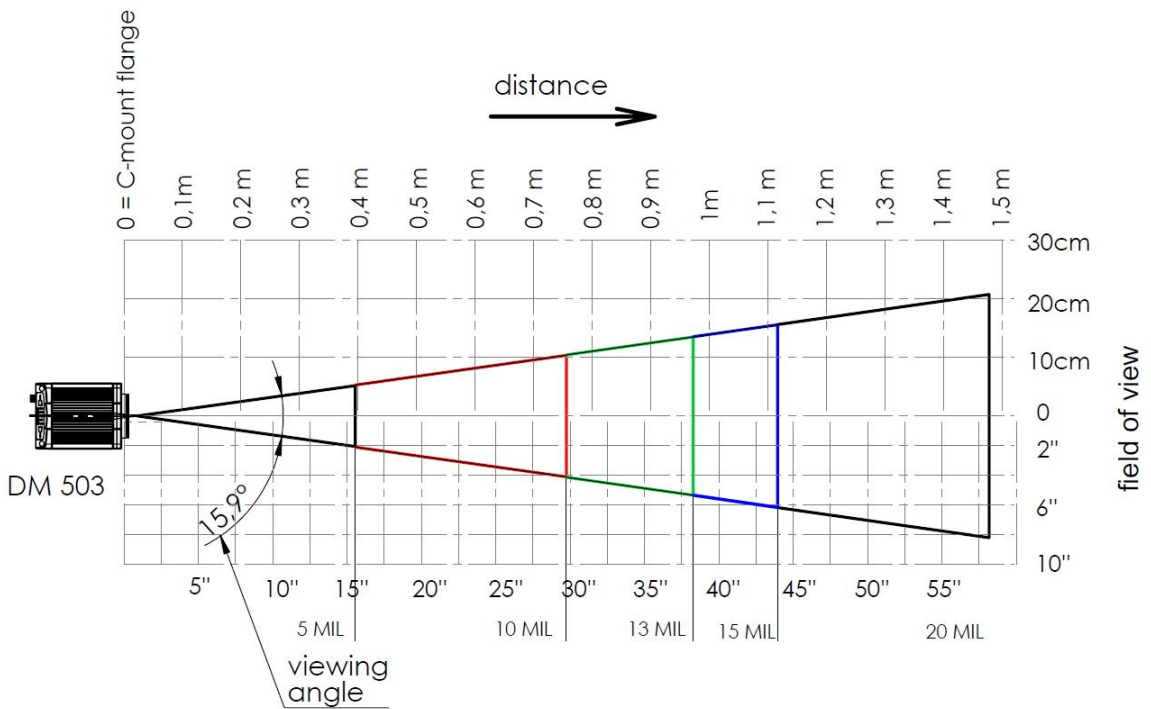


Scan Map for DataMan 503 Series Readers Using a 25 mm Lens Module

The following map shows the reading distance and field of view charts for the DataMan 503 reader with a 25 mm lens for 1-D codes. The minimum 1-D resolution is at 1.2 pixels per module.

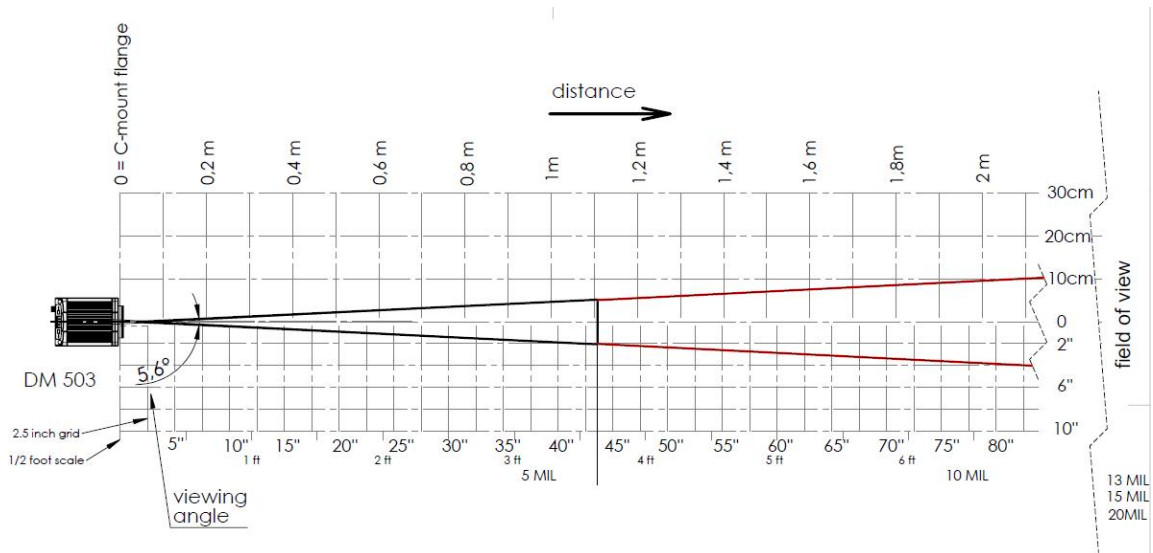


The following map shows the reading distance and field of view charts for the DataMan 503 reader with a 25 mm lens for 2-D codes. The minimum 2-D resolution is at 2.5 pixels per module.

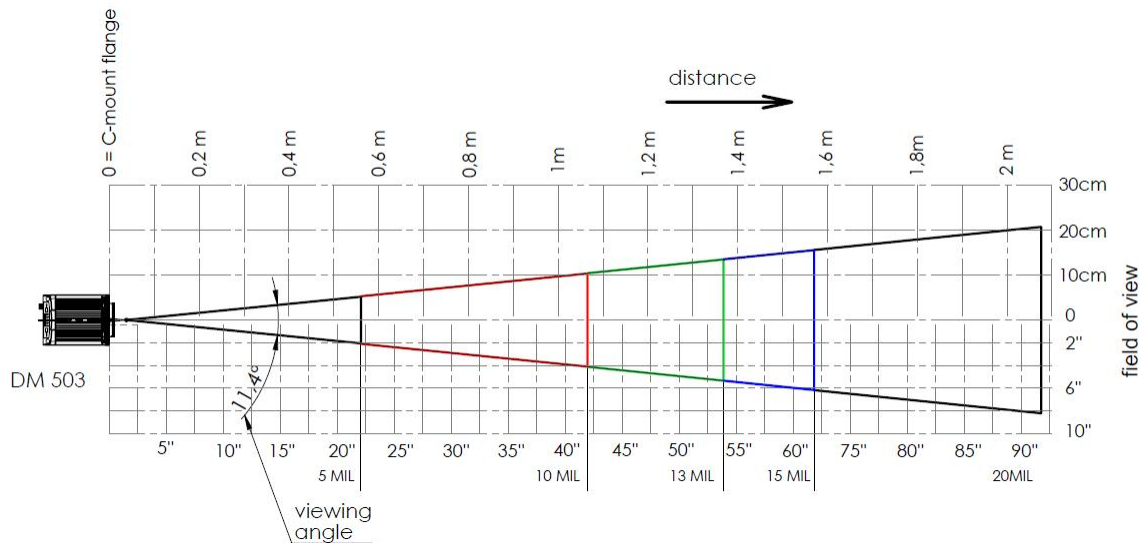


Scan Map for DataMan 503 Series Readers Using a 35 mm Lens Module

The following map shows the reading distance and field of view charts for the DataMan 503 reader with a 35 mm lens for 1-D codes. The minimum 1-D resolution is at 1.2 pixels per module.



The following map shows the reading distance and field of view charts for the DataMan 503 reader with a 35 mm lens for 2-D codes. The minimum 2-D resolution is at 2.5 pixels per module.



CS-Mount Lens Characteristics

This section provides information on using CS-mount lenses.

DataMan 503 CS-Mount Lens Characteristics

CS-mount lenses must meet the following requirements to be used with DataMan 503:

- No aspect of the lens may protrude past the end of the lens threads.
- The threads must be no more than 4 mm deep.
- The maximum size lens barrel that fits within the CS-mount lens cover is 30 mm long (measured from lens mount base) and 28 mm in diameter. You can remove the lens (and front) covers from DataMan to fit a larger lens, but the reader will not maintain its IP rating.

Internal Lighting

This section describes the working mechanism of the built-in lighting of DataMan 50, 60, 70, 150, 260, 503 and DataMan 300 and 360 series readers.

DataMan 50 and 60 Internal Lighting

All DataMan 50 and 60 readers include built-in (internal) lighting. During operation, the DataMan 50 and 60 automatically regulate image exposure time and imager gain to produce usable image quality at the highest possible frame rate.

As the working distance between the reader and code increases, additional light intensity or longer exposure times are required to maintain the same image quality. When the maximum illumination intensity is reached, the frame rate may be reduced to permit a longer exposure time.

DataMan 70, 150 and 260 Internal Lighting

All DataMan 70, 150 and 260 readers include built-in (internal) lighting. During operation, the DataMan 70, 150 and 260 automatically regulate image exposure time and imager gain to produce usable image quality at the highest possible frame rate.

As the working distance between the reader and code increases, additional light intensity or longer exposure times are required to maintain the same image quality. When the maximum illumination intensity is reached, the frame rate may be reduced to permit a longer exposure time.


DataMan 300, 360, and 470 Series Readers Internal Lighting

The internal illumination module offers two rings of LEDs with four quadrants each. Each quadrant is controllable individually, that is, ON/OFF and intensity.

You can turn the quadrants ON or OFF by clicking on the dots (representing the LEDs) on the front image of the DataMan 300 or 360 in the DataMan Setup Tool's **Light and Imager Settings** pane. The quadrants that are ON are displayed in red, as shown in the example below.

Light and Imager Settings

Trigger Settings Imager Settings **Light Settings**



Aimer Enabled
 External

Internal Intensity 0 15

External Intensity 0 15

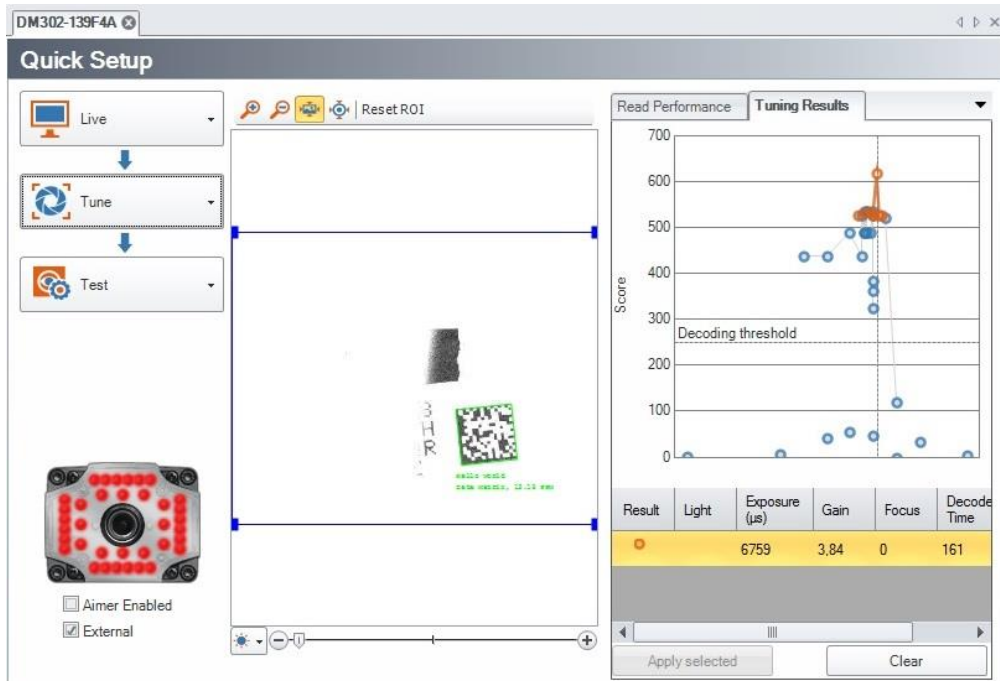
Polarity Active High

Precharge Time (μ s) Cognex External

High Frequency Lights
 Enabled
 "Always On" Enabled
Timeout [s] 0 86400

Tuning

By tuning, your DataMan 300, DataMan 360, and DataMan 470 series reader automatically selects the best settings for the given reading situation, based on parameters of illumination, camera and decoder properties, and focal distance. Use this feature to create an optimum setting to read your DataMatrix codes. In the following example, the best situation is when all quadrants are turned on.



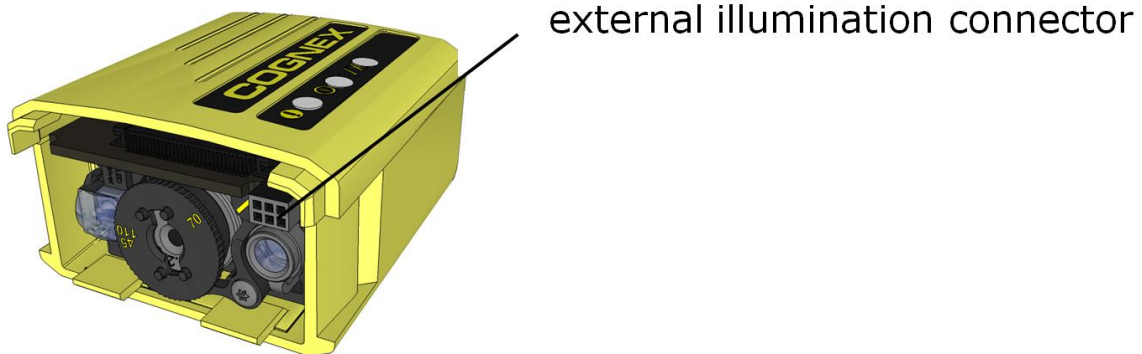
Note: Tune button can toggle the aimer light ON and OFF.

External Lighting

This section details the external lighting options for DataMan 50, 60, 503 and DataMan 300, 360, and 470 series readers.

DataMan 50 and 60 External Lighting

The DataMan 50 and 60 readers have a dedicated output for external light control. In addition, the DataMan 60 has an external illumination connector on the front side of the reader.



You can control the intensity output of the external illumination connector if the external illumination you use supports this control. Go to the **Light Settings** tab of the DataMan Setup Tool's **Light and Imager Settings** pane, check the **External** checkbox and change the intensity according to your needs.

DataMan 50 and 60 Illumination Strobe Output

The strobe output is provided by a diode that is added to the push-pull circuit, with series to the pull-up transistor. This diode blocks the higher voltage when the output is pulled up when used as open-collector type driving, but enables the driving of high level in TTL mode.

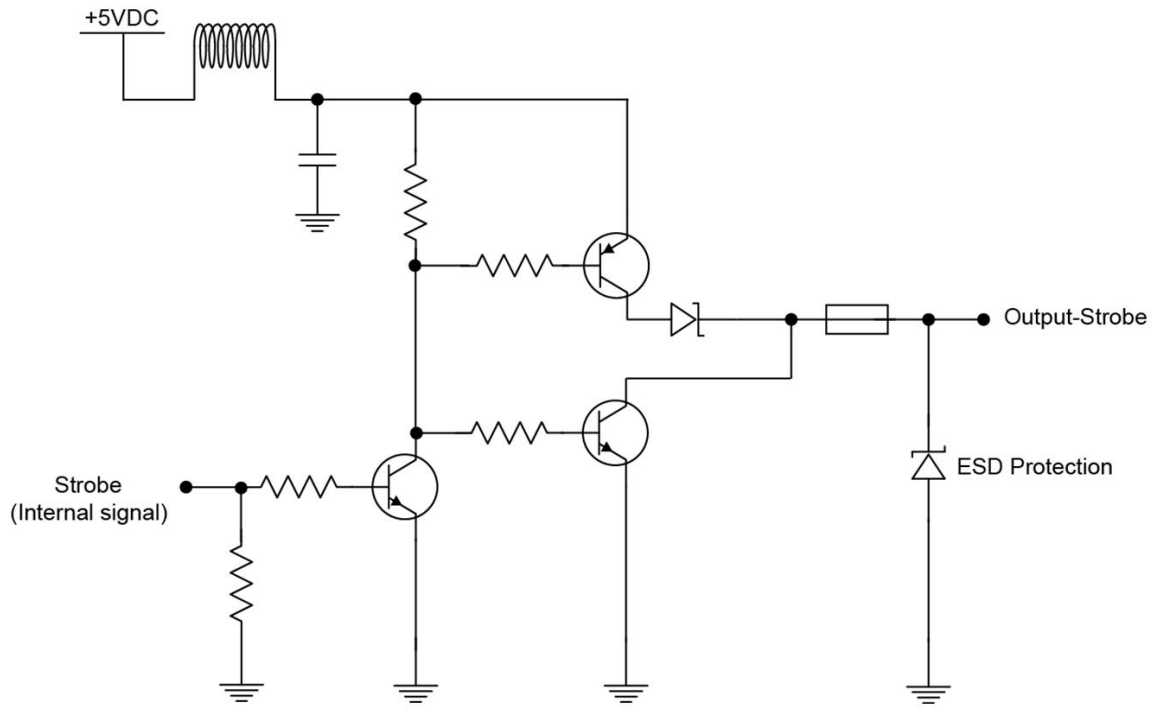
TTL output type characteristics

High level	4.0-5.0V
Low level	0-0.4V
Output current	25 mA
Short-circuit current	125 mA
Short-circuit protection	multifuse – 50mA

Open-collector output type characteristics

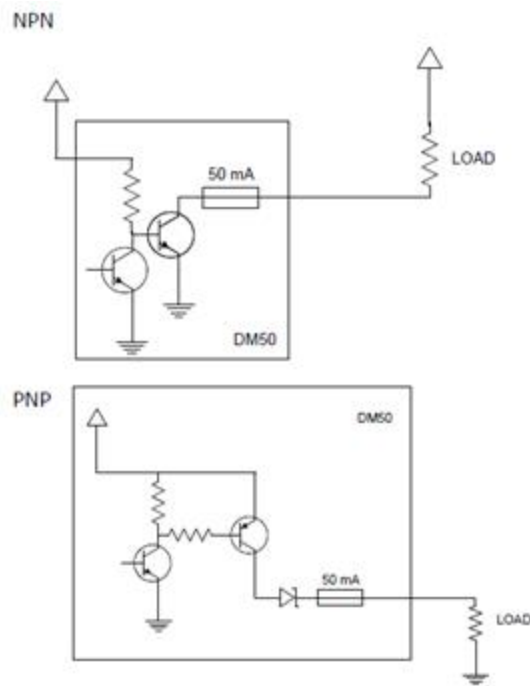
Output voltage range	0-26V
Low level	0-0.4V
Output current	25 mA max
Short-circuit current	125 mA
Short-circuit protection	multifuse – 50 mA

The following figure shows the wiring diagram of the illumination strobe output.



DataMan 50 and 60 External Load Strobe Output

The following image shows the external load strobe output for the DataMan 50. The DataMan 60 has the same characteristics.



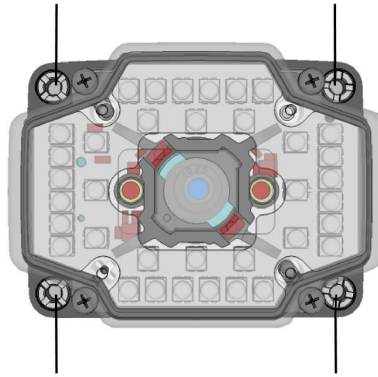
DataMan 300, 360, and 470 Series Readers External Lighting

On the back of the reader, there is a socket dedicated to external light control.



There are four mounting holes on the front of the reader to mount external illumination.

mounting holes for external illumination



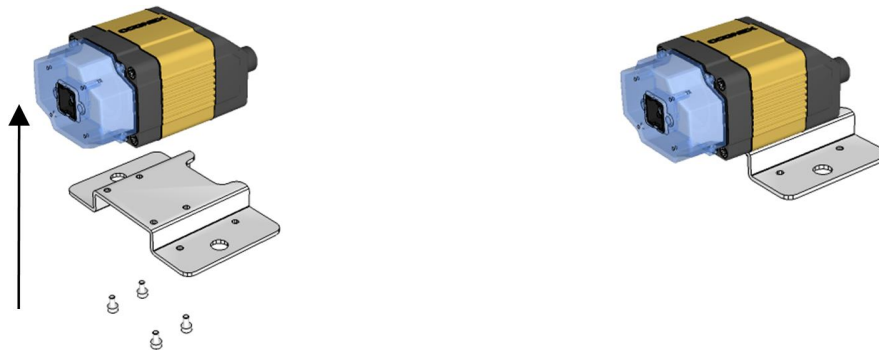
mounting holes for external illumination

You can control the intensity output of the external illumination connector if the external illumination you use supports this control. Go to the **Light Settings** tab of the DataMan Setup Tool's **Light and Imager Settings** pane, check the **External** checkbox and change the intensity according to your needs.

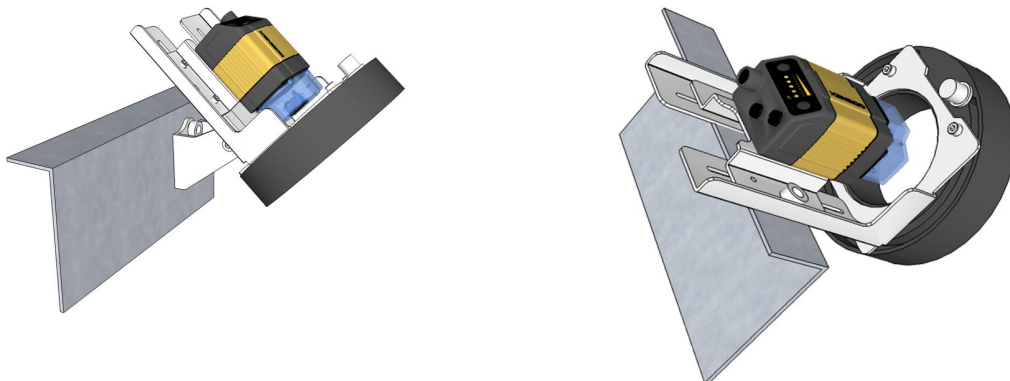
External Light Mounting Brackets

You can mount your reader using external light mounting brackets. The brackets are intended to mount any of the different lights to the reader. They can also be used to mount the reader (with lights attached) to your machine. Pivot mounting, as illustrated, is optional. Perform the following steps:

1. Mount your reader on the camera plate and attach the screws.

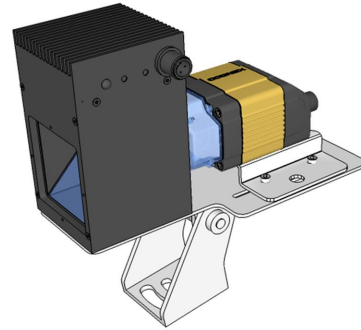


2. Mount your reader with the camera plate attached to any of the external light bracket adapters.

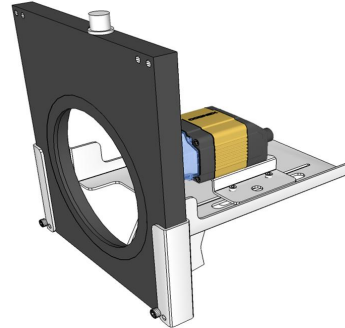


Choose one of the following light options:

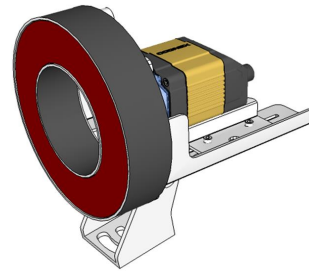
- Using coaxial (DOAL) light



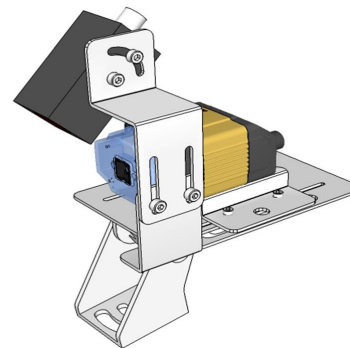
- Using dark field light



- Using ring light



- Using spot light



DataMan 50, 60, 300, 360, and 470 External Lighting Duration

In all cases, as soon as the trigger is detected, external illumination is turned on. There is a 600 μ Sec pre-charge time before exposure starts; the lighting is on during this period. In the DataMan Setup Tool's Light and Imager Settings pane, you can select Automatic Exposure (autoregulation) or Manual Exposure (non-autoregulation) according to your needs.

If you use a DataMan 302 reader with full Field of View (FoV), consider the following:

- In non-autoregulation cases, exposure occurs for an amount of time you specify. You can configure this time in the DataMan Setup Tool's Light and Imager Settings pane. When exposure ends, illumination is turned off. Altogether, the exposure duration equals the exposure time you set and the 600 μ Sec pre-charge time.
- If autoregulation is enabled, the duration can vary depending on the maximum allowed exposure value configured and the computed exposure time (which will be different for each acquisition). To calculate a "worst case" duration, set a maximum exposure value, and the longest the lights will be on is

600 μ Sec precharge time + max exposure time

Exposure occurs for the amount of time determined by autoregulation. When exposure ends, illumination is turned off. If you use a reduced FoV for a DataMan 50, 60, 300, 360, 370, or 470 reader, the image transfer time will scale proportionally to the FoV/Sensor size.

DataMan 503 External Lighting Duration

In all cases, as soon as the trigger is detected, external illumination is turned on. There is a user adjustable μ Sec pre-charge time before exposure starts; the lighting is on during this period. In the DataMan Setup Tool's Light and Imager Settings pane, you can select Automatic Exposure (autoregulation) or Manual Exposure (non-autoregulation) according to your needs.

- In non-autoregulation cases, exposure occurs for an amount of time you specify. You can configure this time in the DataMan Setup Tool's Light and Imager Settings pane. When exposure ends, illumination is turned off. Altogether, the exposure duration equals the exposure time you set, the adjustable μ Sec pre-charge time, plus a maximum 17,15 ms image transfer time.
- If autoregulation is enabled, the duration can vary depending on the maximum allowed exposure value configured and the computed exposure time (which will be different for each acquisition). To calculate a "worst case" duration, set a maximum exposure value, and the longest the lights will be on is

Max. allowed precharge time + max exposure time

Exposure occurs for the amount of time determined by autoregulation. When exposure ends, illumination is turned off.

Operations Guide

This section contains information about configuring and using your DataMan reader.

Trigger Modes

The fixed-mount DataMan readers provide the following trigger modes:

Self-Trigger

DataMan fixed mount readers support *self-triggered* operation. In self-trigger mode, the reader automatically detects and decodes codes in its field of view. The high-speed image acquisition and processing capabilities of the DataMan allow it to detect *and decode* codes.

Self-trigger mode has the following characteristics:

- Ease of setup. No external trigger is required.
- Flexible timing. Parts can arrive at irregular intervals.
- Maximum throughput.

Manual

Manual triggering starts acquiring and attempting to decode images when you send an external trigger. The reader continues to acquire and attempt to decode images until you stop the external triggering. 2-D DPM codes are automatically learned.

Manual trigger mode is typically used during debugging or system design.

Burst

Burst triggering acquires a pre-defined number of images when an external trigger is signaled, then attempts to decode the acquired images. You can control the interval between the acquired images. The number of images acquired per burst depends on the size of the region of interest that you specify.

Continuous

Continuous triggering begins acquiring images based on a single external trigger and continues to acquire and decode images at a user-specified interval until a symbol is found, or until multiple images containing as many codes as specified in multicode mode are located. The external trigger can be configured as a latch (acquisition continues while the line is held high) or acquisition can be started on the first pulse, stopped on the second pulse. If you scan items on a conveyor, make sure that each item reaches trigger OFF before the next item generates trigger ON.

Single

Single triggering acquires a single image and attempts to decode any symbol it contains, or more than one symbol in cases where multicode is enabled. The reader relies on an external trigger source.

Presentation

Presentation triggering repeatedly scans for a symbol and decodes it whenever one is detected. The reader relies on an internal timing mechanism to acquire images.

Presentation mode is similar to manual trigger mode, without using the trigger as a signal to start acquisition.

Package Detection Support

You can connect your package detection sensor to one of the digital inputs of your DataMan reader. When the reader receives a signal that a package is detected, images that the reader collected are not discarded at the end of the trigger. This way you can make sure that there was a package there, only the code was not readable. Looking at the No Read images will help you find out why there was no decode results.

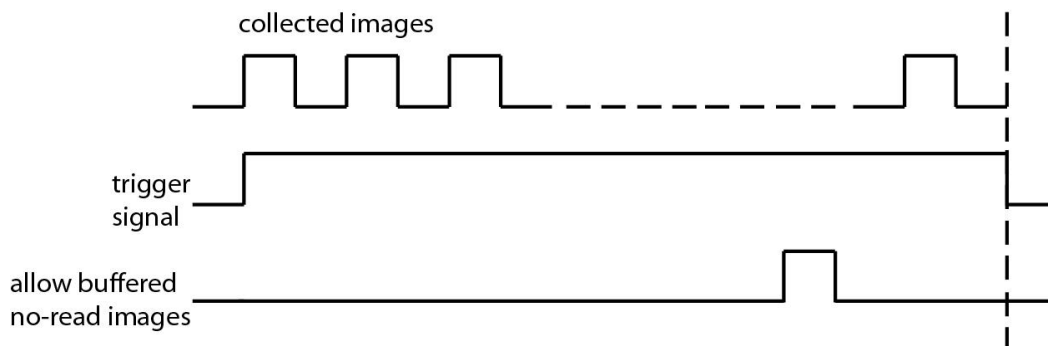
Package detection is only supported with Continuous trigger mode. Continuous (external) trigger mode means that the trigger stops if the event generating the trigger stopped, or if there is a good read. Until the trigger stops, the reader collects images. These are No Read images (otherwise the trigger would stop).

You can use this feature in a stand-alone configuration, or in a master/slave configuration. In the latter case, connect the sensor to the Master device. The Master will initiate a request to save images and collect the images from the slaves.

To make sure that the No Read images are collected, perform the following:

1. Connect your package detection device to one of the Inputs of your reader.
2. On the **Inputs** tab of the DataMan Setup Tool's **System Settings** pane, check **Allow Buffered No-Read Images** on the input you connected your reader to.
3. On the **Image Buffering** tab of the DataMan Setup Tool's **Buffering and Transfer** pane, change **What Results to Buffer** to **All**, or **No Read**.
 - In the case of **All**, good reads are also saved together with No Reads.
 - In the case of **No Read**, the image is buffered if the reader fails to read.

The following diagram shows the working mechanism:



The signal from the sensor tells the reader not to discard the collected images at the end of the trigger event.

Test Mode

Test mode lets you configure and test a reader that is connected to a production line without needing to slow down or stop your line. To enter **Test mode**,

- Press the button (to which you previously assigned this function) on the device for 3 seconds
- Send a DataMan Control Command (DMCC)
- Click the Test Mode button in the DataMan Setup Tool

While in test mode, the reader, by default, ignores all external trigger sources and disables all input and output lines. Test mode provides two ways for you to test your reader configuration:

- Check **Automatic Triggering**, and the reader will simulate external triggers at the interval that you specify. This allows you to examine the result of each trigger and images with the configuration used in production but at a slower rate. Because inputs and outputs are disabled, the reader will not interfere with the normal operation of your line.
- If you click **Accept Trigger Batch**, the reader will accept and process a limited number of external triggers (you can specify the number) at production speed. You can then examine these results and corresponding images to verify how the reader is processing triggers in production.

If need, you can enable both inputs and outputs during test mode, but you may encounter I/O process latencies.

Code Training

You can train the DataMan fixed mount readers for single or multiple codes. Training can improve performance, since the reader does not have to determine code parameters as it reads the codes.

Code training is only supported for the following trigger modes:

- Burst
- Continuous
- Self (internal trigger)
- Single (external trigger)

You can train codes in the following ways:

- With an image showing the code or codes to train present in the DataMan Setup Tool's **Image Toolview**, click the **Train Code** button on the **Quick Setup** pane.
- Use the **TRIG Button** tab in the **System Settings** pane to configure the button to train codes, then present the codes to the reader and press and hold the button for 3 seconds.
- Use the **Inputs** tab in the **System Settings** pane to configure a discrete input to perform code training.

Automatic Code Training for DPM Symbols

Manual and Presentation modes automatically train 2-D symbols. This improves robustness on DPM symbologies when reading consecutive parts of the same type. Sequential dissimilar parts will still decode.

Image Buffering and Image Recording

You can configure the DataMan fixed-mount readers to store selected images in the memory of the reader.

You can select the following options on which images to store:

- No images.
- No-read images. (Images where the reader was triggered but either no code was present or the code could not be decoded.)
- Images where a code was successfully decoded.
- All images.

If you select all images or no-read images, you can specify a sampling rate to control the number of images that are buffered.

Retrieving Buffered Images

You can use the DataMan Setup Tool to view and download images from your DataMan device, or you can configure the DataMan reader to automatically transfer the buffered images to an FTP server that you specify.

For more information, see the *DataMan Setup Tool Reference Manual*.

DataMan Master/Slave Configuration

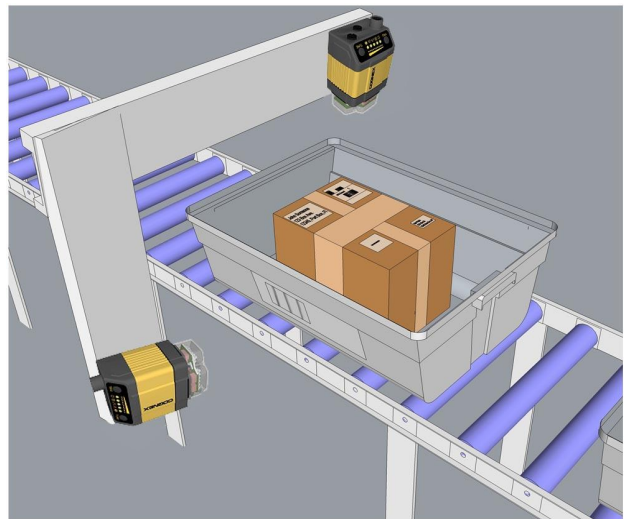
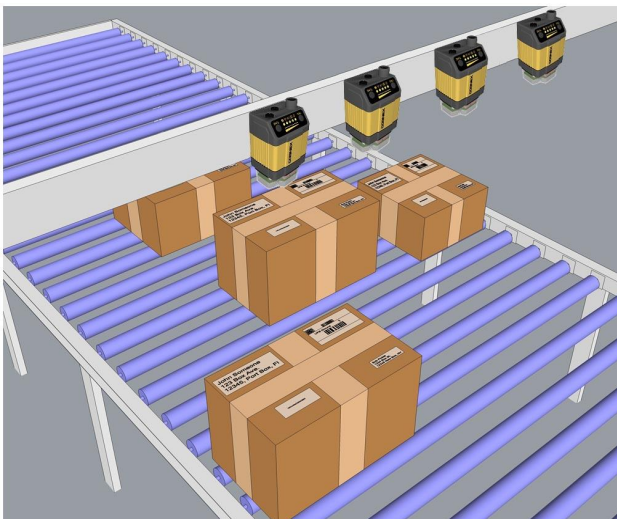
Overview

If you have multiple DataMan fixed mount readers connected to the same network, you can configure multiple readers to use group triggering. Readers configured to use group triggering all acquire an image simultaneously, and then combine their individual read results to form a composite result.

There are two important aspects to group triggering:

- Readers configured for group triggering consolidate reader results from among all readers in the group and transmit them from the master reader only. This simplifies the task of collecting and processing read results from multiple readers.
- Readers configured for group triggering can be triggered simultaneously based on a single input trigger signal received by the master reader.

Master/Slave configurations are typically used to expand the field of view for broad conveyor applications and to read codes from multiple surfaces of packages or objects:



Master

Within a group, one `Global/Global/Global.Device_lowercase` is defined as the master. When the master `Global/Global/Global.Device_lowercase` is triggered (regardless of what type of trigger it uses), all the `Global/Global/Global.Device_lowercase`s in the group are also triggered. For self-trigger mode, you must designate the master `Global/Global/Global.Device_lowercase` explicitly. For externally triggered modes (single, burst, and continuous), whichever `Global/Global/Global.Device_lowercase` receives the trigger is designated the master for that acquisition. (In most cases, only a single `Global/Global/Global.Device_lowercase` in the group will be connected to the external trigger.)

To account for network latency, you specify a trigger delay for the master `[[[Undefined variable Global/Global/Global.Device_lowercase]]]` in the group. When the master is triggered, it immediately sends triggers to the other group members, but delays its own acquisition for the specified delay, allowing the trigger signal to reach the other `[[[Undefined variable Global/Global/Global.Device_lowercase]]]`s. You can also configure a separate trigger timeout, which will cause the master reader to wait for a specified period of time for slave `[[[Undefined variable Global/Global/Global.Device_lowercase]]]`s to send data before collecting the results and transmitting them.

After a read attempt, only the master `[[[Undefined variable Global/Global/Global.Device_lowercase]]]` transmits a result. It combines all of the available results from the other `[[[Undefined variable Global/Global/Global.Device_lowercase]]]`s in the group in the same way that multicode results are combined.

Slaves

In many applications, the master/slave configuration is set to trigger the slave readers whenever the master `[[[Undefined variable Global/Global/Global.Device_lowercase]]]` is triggered. If the slave `[[[Undefined variable Global/Global/Global.Device_lowercase]]]`s are configured for Self triggering, then they will also trigger whenever they detect a code. In this case, the master `[[[Undefined variable Global/Global/Global.Device_lowercase]]]` will generate and transmit a read result whenever any `[[[Undefined variable Global/Global/Global.Device_lowercase]]]` detects a code. This result aggregation greatly simplifies multiple `[[[Undefined variable Global/Global/Global.Device_lowercase]]]` operation.

Data Formatting

When the reader is triggered, the result string will be formatted as you specified, before it is transmitted to the master reader for aggregation. Note, however, that you have to check Standard Formatting Enabled for the master and supply the formatting tokens you want to use for the slaves. Any data formatting that you specify for the master reader will be applied to the formatted result strings produced by the slave readers. The data formatting pane includes a token that allows you to insert the name of the reader generating the result string; you can use this to identify which reader produced which result.

Limitations

- No image buffering and recording is supported for any `[[[Undefined variable Global/Global/Global.Device_lowercase]]]` that is part of a group.
- Presentation mode triggering is not supported.
- Master-Slave triggering only works correctly if Master and Slave use specific, allowed combinations of trigger modes. They are the following:
 - Self/Self
 - Single/Burst, Single/Single, Burst/Burst, Burst/Single
 - Manual/Continuous, Manual/Manual, Continuous/Continuous, Continuous/Manual

Synchronized Acquisition

Synchronized Acquisition is only available for the DataMan 503. In Single, Burst, Continuous, and Self trigger modes, it is possible to synchronize image acquisition on multiple devices using the synchronization interface.

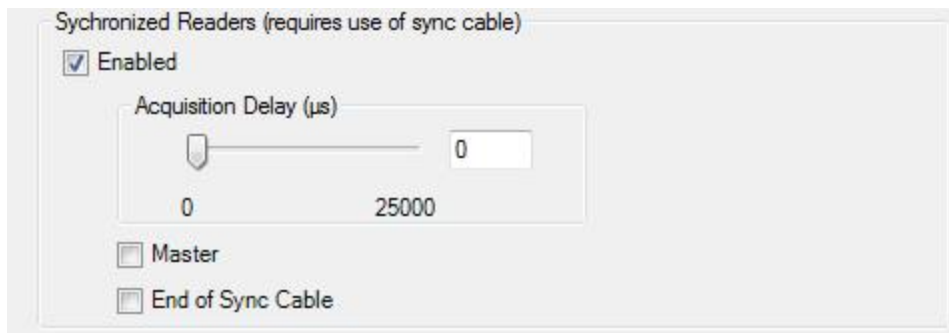
Synchronization allows using one shared strobe illumination to expose all sensors simultaneously. You can synchronize multiple `[[[Undefined variable Global/Global/Global.Device_lowercase]]]`s, with optionally triggering them in a defined sequence to avoid that opposing `[[[Undefined variable Global/Global/Global.Device_lowercase]]]`s blind each other.

Note: This and other imager settings will not get synchronized by this mechanism - for example, you must configure exposure and gain on each `Global/Global/Global.Device_lowercase` individually.

This feature only synchronizes the actual image acquisition, triggering happens through the existing master-slave mechanism.

Enable **Synchronized Exposure** on the DataMan Setup Tool's **Master/Slave** pane. Set the **Acquisition Delay** (μs) (relative to the received signal through the synchronization interface) on each `Global/Global/Global.Device_lowercase` individually to optionally define an exposure sequence in case the illumination of some `Global/Global/Global.Device_lowercase`s might affect other `Global/Global/Global.Device_lowercase`s.

You must also set which two `Global/Global/Global.Device_lowercase`s on the ends of the synchronization interface bus are bus terminators by checking the End of Sync Cable checkbox for the currently connected devices at the end of a sync cable.



Connecting DataMan 503 Devices Through the Synchronized Acquisition Cable

Plug the synchronized acquisition cable into the dedicated connector on the DataMan 503.



Female connector
for synchronized
acquisition

If you are connecting more than two DataMan 503 devices, you need a Y connector with female ends to be able to use the synchronized acquisition cables.

Synchronized Acquisition based on Precision Time Protocol (PTP)

Synchronized acquisition based on PTP is only available for DataMan 36x `Global/Global/Global.Device_lowercase`s. In Single, Burst, Continuous, and Self trigger modes, it is possible to synchronize image acquisition on multiple devices using the synchronization interface.

Synchronization allows using one shared strobe illumination to expose all sensors simultaneously. You can synchronize up to 16 `Global/Global/Global.Device_lowercase`s, with optionally triggering them in a defined sequence to avoid that opposing `Global/Global/Global.Device_lowercase`s blind each other.

Note: This and other imager settings will not get synchronized by this mechanism - for example, you must configure exposure and gain on each `Global/Global/Global.Device_lowercase` individually.

This feature only synchronizes the actual image acquisition, triggering happens through the existing master-slave mechanism.

Enable **PTP** on the DataMan Setup Tool's **Master/Slave** pane under Synchronized Readers (IE1588). Set **Slave Only** accordingly on each [[[Undefined variable Global/Global/Global.Device_lowercase]]] individually to define Master/Slave [[[Undefined variable Global/Global/Global.Device_lowercase]]] relations.

Using C/CS-Mount Lenses

Aperture Setting

Because of the extreme sensitivity of the DataMan image sensor, for most applications, a small aperture (F8 or less) provides sufficient light for full-rate image processing while also maximizing depth of field.

Selecting Optimum Focus

You can enter live video, but for best focus optimization, place the `[[[Undefined variable Global/Global/Global.Device_ lowercase]]]` in automatic trigger mode and adjust the focus until the peak read rate is obtained.

Optimizing Performance

Read Interval and Timeout Configuration

Careful configuration of the read interval (Self and Continuous triggering) or timeout value (Burst mode) can improve read rates and throughput.

- If your application uses clearly printed symbols, you can improve performance by reducing the interval or timeout value. This is because DataMan acquires images at such a high rate that a shorter timeout or interval allows the reader multiple chances to decode the symbol.
- If your application experiences poorly printed or degraded symbols, increasing the interval or timeout value can improve performance by allowing the DataMan to spend more time decoding difficult images.

In all cases, make sure that you specify an interval that allows the reader to capture at least one image of the symbol.

Optimizing Burst Trigger Parameters

Since a Burst trigger is ideal for moving applications, it is necessary to determine the correct burst size and interval in order to capture the desired length of the part as it moves under the camera. Once the interval time is determined, you can adjust the size of the burst depending on the length of the part. The variables necessary for this calculation are:

1. Line speed in mm per second
2. Code size w/quiet zone in mm
3. FOV = Field of View (x or y) in mm

You can then use the following equation to determine the interval time:

$$\text{Interval Time} = 1000 * ((\text{FOV} - 2(\text{Code Size})) / \text{Line Speed})$$

Once the interval time is determined, the size of the burst can be adjusted depending on the length of the code to capture. The max object length in mm is:

$$\text{Burst Size} * (\text{FOV} - (2 * \text{Code Size}))$$

The $(2 * \text{Code Size})$ variable allows for overlap of the frames taken. This takes into consideration the condition where the code is slightly out of the field of view in one frame (acquisition). The $(2 * \text{Code Size})$ will overlap the field of view between successive frames and allow the code to be viewed in the field of view of the next frame.

Reducing DataMan Processing Requirements

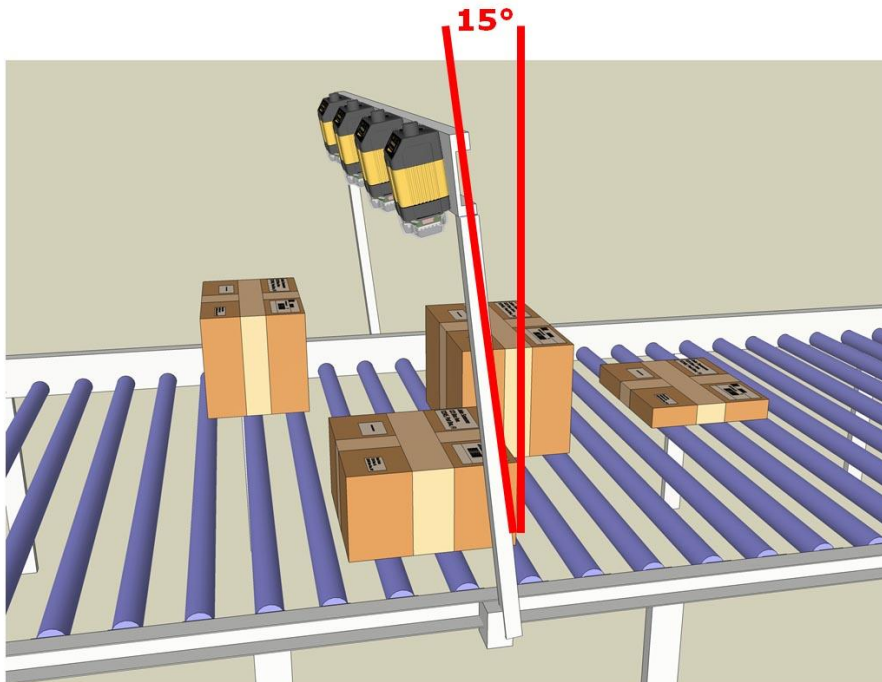
The more information that you can provide to DataMan about your application, the less work – and processing time – will be required to decode symbols.

- Only enable the symbologies that your application uses. Disabling unused symbologies reduces processing time.
- Train codes.
- Only enable extended mode decoding if your application requires it.

Avoiding Reflections and Glare

If the DataMan is mounted perpendicular to the surface containing the code to be read, reflections from the built-in illumination system can cause reflections and glare that may reduce decoding performance.

You can avoid this problem by mounting the reader at a 15° angle from vertical.

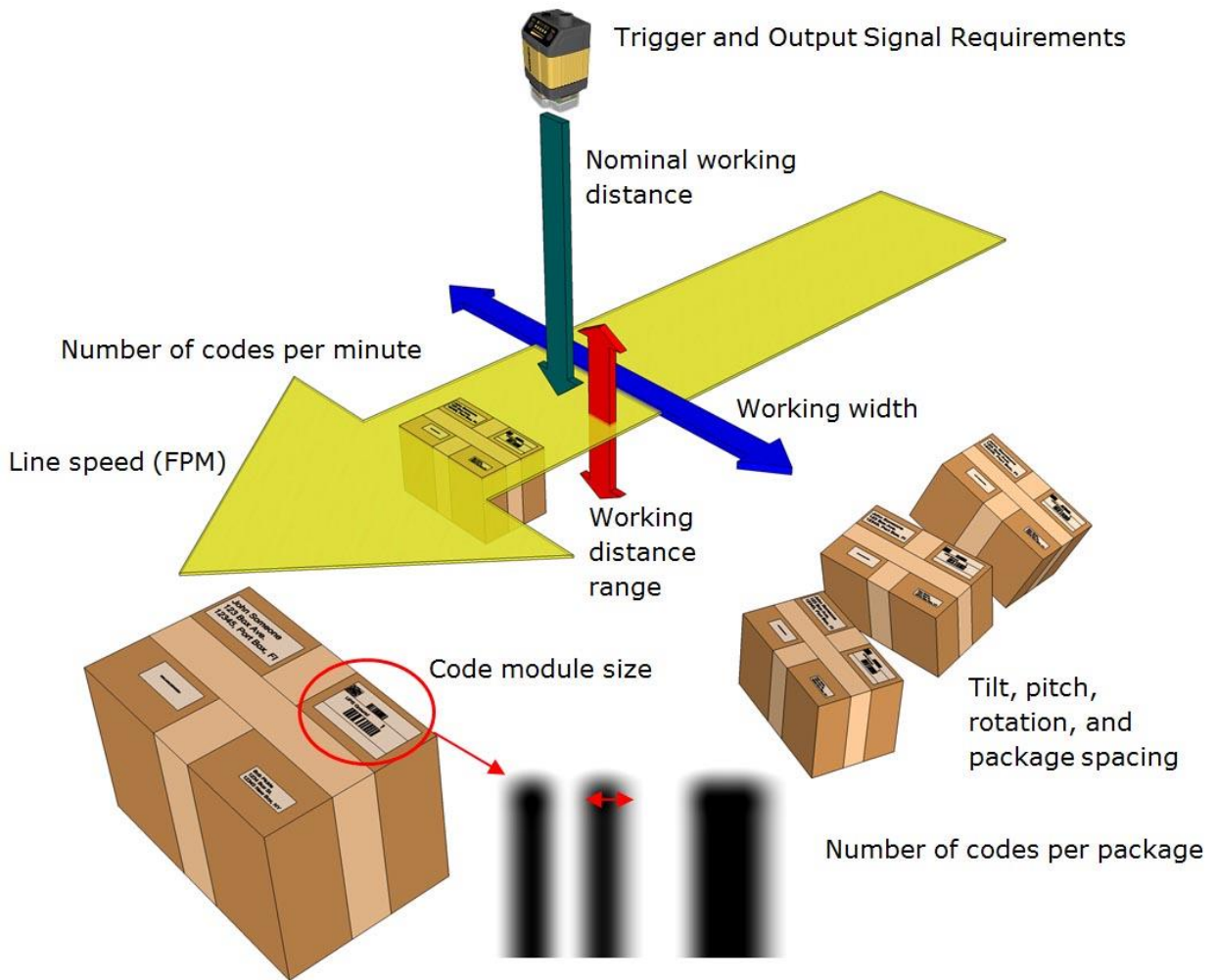


Application Guide

This section provides specific recommendations tailored to specific types of applications. Except for the sections about Multi-Reader Configurations and Variable Size Box Conveyor, all sections apply to all the DataMan fixed-mount readers.

Understanding Your Application Envelope

A wide variety of factors affects the performance and capabilities of the DataMan in a given application. You can think of this collection of factors as your application's envelope:



The following table describes the different parameters that define a DataMan application envelope.

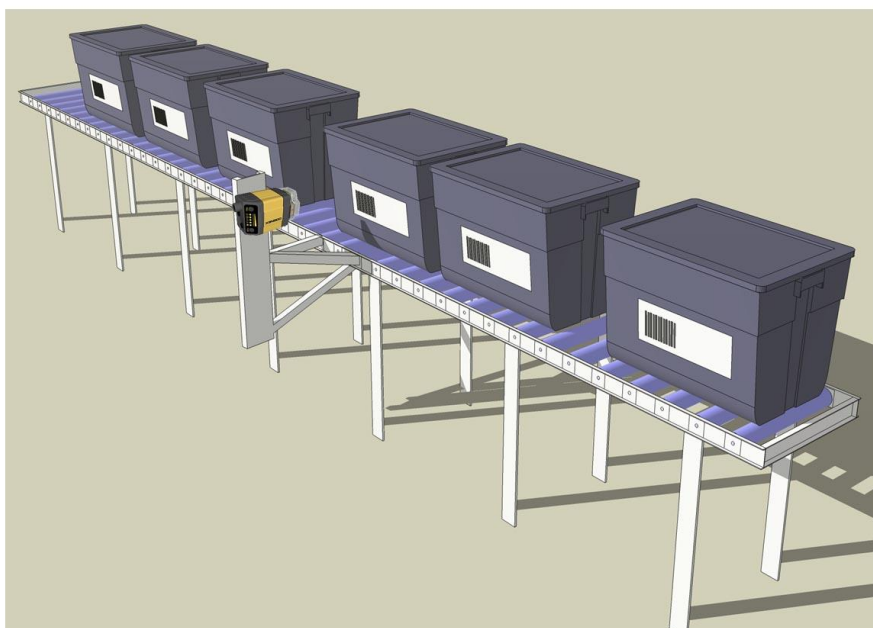
Parameter	Description
Linespeed	The linear speed of the part surface containing the code to decode.
Nominal working distance	How far the code is from the front of the DataMan.
Working distance range	The range of distances, with respect to the nominal working distance, at which codes may be present.
Working width	The width of the area in which codes may appear.

Parameter	Description
Tilt, pitch, rotation, and package spacing	<p>The degree to which a code may be rotated, tilted, or pitched with respect to a plane perpendicular to the DataMan optical axis.</p> <p>Package spacing means a distance in time. If you use a conveyor that moves very fast, you need more space between the boxes. If it moves very slow, you need less space. In general, the minimum time distance between boxes must be greater than the distance between trigger on and trigger off.</p> <p>Tilt and pitch should be limited to 15-20 degrees in most cases, while rotation may be absent or may occur up to 360 degrees (omnidirectional reading).</p> <p>As described in the section Reducing DataMan Processing Requirements, the more information that you can provide to DataMan about your application, the less work – and processing time – will be required to decode symbols.</p> <ul style="list-style-type: none"> • Only enable the symbologies that your application uses. Disabling unused symbologies reduces processing time. • Train codes. • Only enable extended mode decoding if your application requires it. <p>Avoiding Reflections and Glare, you should mount the reader so that the surface containing the code to be read is not perpendicular to the reader. If your application includes tilt or pitch, make sure that the reader is mounted so that even at maximum tilt or pitch, the reader still is angled with respect to the surface being read.</p>
Code module size	The size of a code element (typically the smallest bar) in Mils.
Codes per minute	The maximum number codes that pass in front of the reader location per minute.
Codes per image	The number of codes visible at the same time.
Trigger and output signal requirements	Whether an external trigger signal is available or a discrete output signal is required.

The following sections describe typical application envelopes for typical DataMan code reading applications, along with suggested configuration values.

Tote Scanning

Tote scanning applications typically involve reading a single barcode that is relatively well-fixtured.

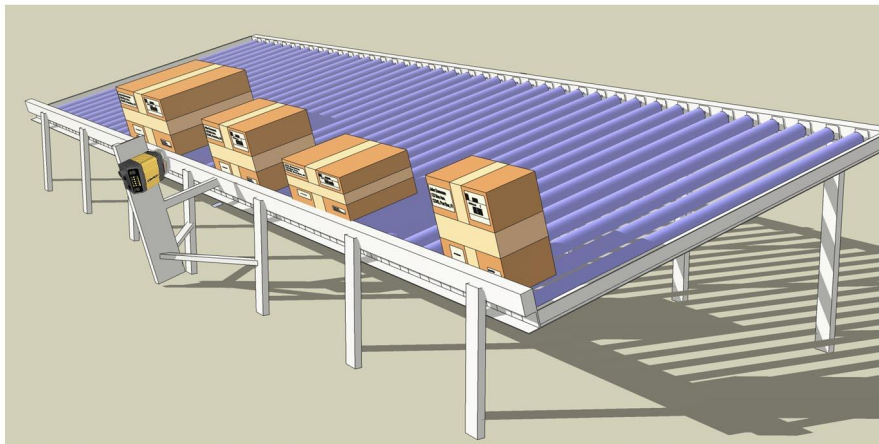


The following table lists typical values for this application:

Parameter	Typical Values
Line speed	50 FPM
Nominal working distance	6-12"
Working distance range	+/- 5"
Working width	6"
Tilt, pitch, and rotation	+/- 2°
Code module size	20 Mil
Codes per minute	20-30
Trigger and output signals	Optional

Side Scanning

Side scanning applications typically involve reading a single barcode at a consistent distance but a variable offset.



The following table lists typical values for this application:

Parameter	Typical Values
Line speed	200-300 FPM
Nominal working distance	6-12"
Working distance range	+/- 1"
Working width	12-24"
Tilt, pitch, and rotation	+/- 2°
Code module size	20 Mil
Codes per minute	100-200
Trigger and output signals	Optional

Side Scanning (Large Field)

Side scanning applications typically involve reading a single barcode at a consistent distance but a variable offset.

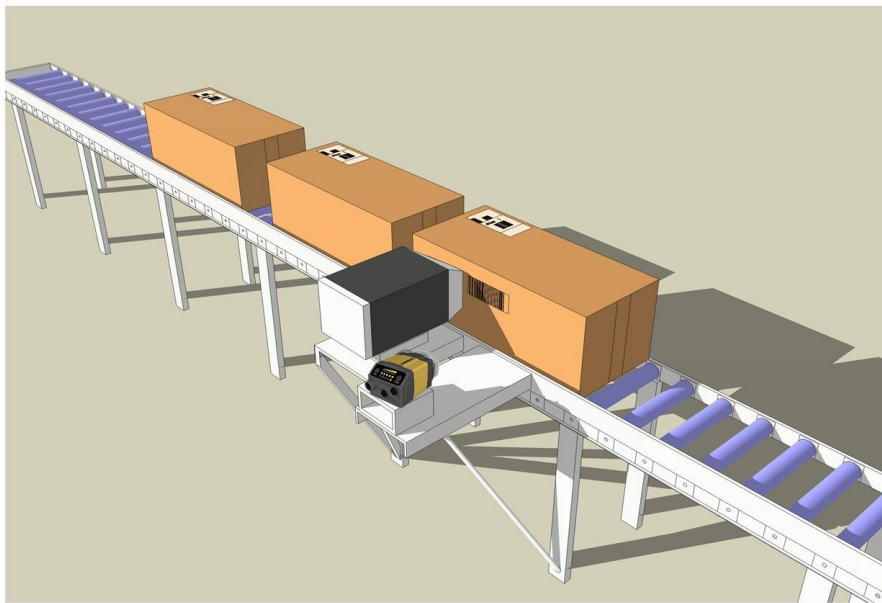
The following table lists typical values for this application:

Parameter	Typical Values
Line speed	200-300 FPM

Parameter	Typical Values
Nominal working distance	6-12"
Working distance range	+/- 1"
Working width	12-24"
Tilt, pitch, and rotation	+/- 2°
Code module size	20 Mil
Codes per minute	100-200
Trigger and output signals	Optional

Print Verification (Carton Coding and Print & Apply)

This configuration reads and verifies codes from packages immediately after they are applied. The codes may be printed directly on the object (carton coding) or on a label (print & apply).

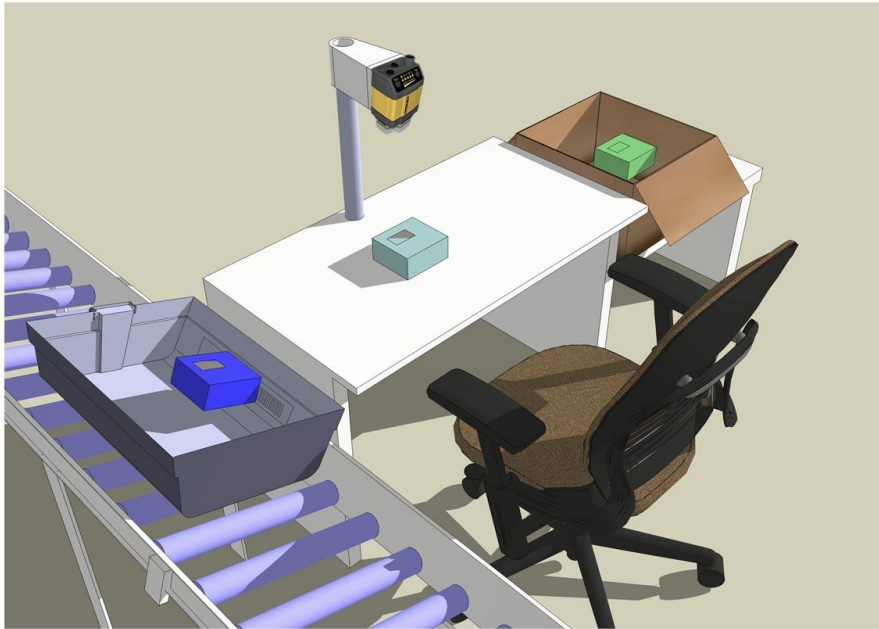


The following table lists the typical values for this application:

Parameter	Typical Values
Line speed	200-300 FPM
Nominal working distance	5-10"
Working distance range	+/- 0.5"
Working width	2-4"
Tilt, pitch, and rotation	+/- 2° (pitch, tilt, and rotation)
Code module size	20 Mil
Codes per minute	up to 200
Trigger and output signals	Likely

Manual Presentation Scanning

This configuration reads codes from objects presented manually.



The following table lists the typical values for this application:

Parameter	Typical Values
Line speed	N/A
Nominal working distance	10-20"
Working distance range	+/- 10-
Working width	10-20
Tilt, pitch, and rotation	+/- 20° (pitch and tilt) 360° (rotation)
Code module size	20 Mil
Codes per minute	10-20
Trigger and output signals	Possible

Precautions

To reduce the risk of injury or equipment damage, observe the following precautions when you install the Cognex product:

- Route cables and wires away from high-current wiring or high-voltage power sources to reduce the risk of damage or malfunction from the following causes: over-voltage, line noise, electrostatic discharge (ESD), power surges, or other irregularities in the power supply.
- Changes or modifications not expressly approved by the party responsible for regulatory compliance could void the user's authority to operate the equipment.
- Ensure that the cable bend radius begins at least six inches from the connector. Cable shielding can be degraded or cables can be damaged or wear out faster if a service loop or bend radius is tighter than 10X the cable diameter.
- This device is certified for office use only and if used at home, there can be frequency interference problems.
- This device should be used in accordance with the instructions in this manual.
- All specifications are for reference purposes only and can change without notice.

